

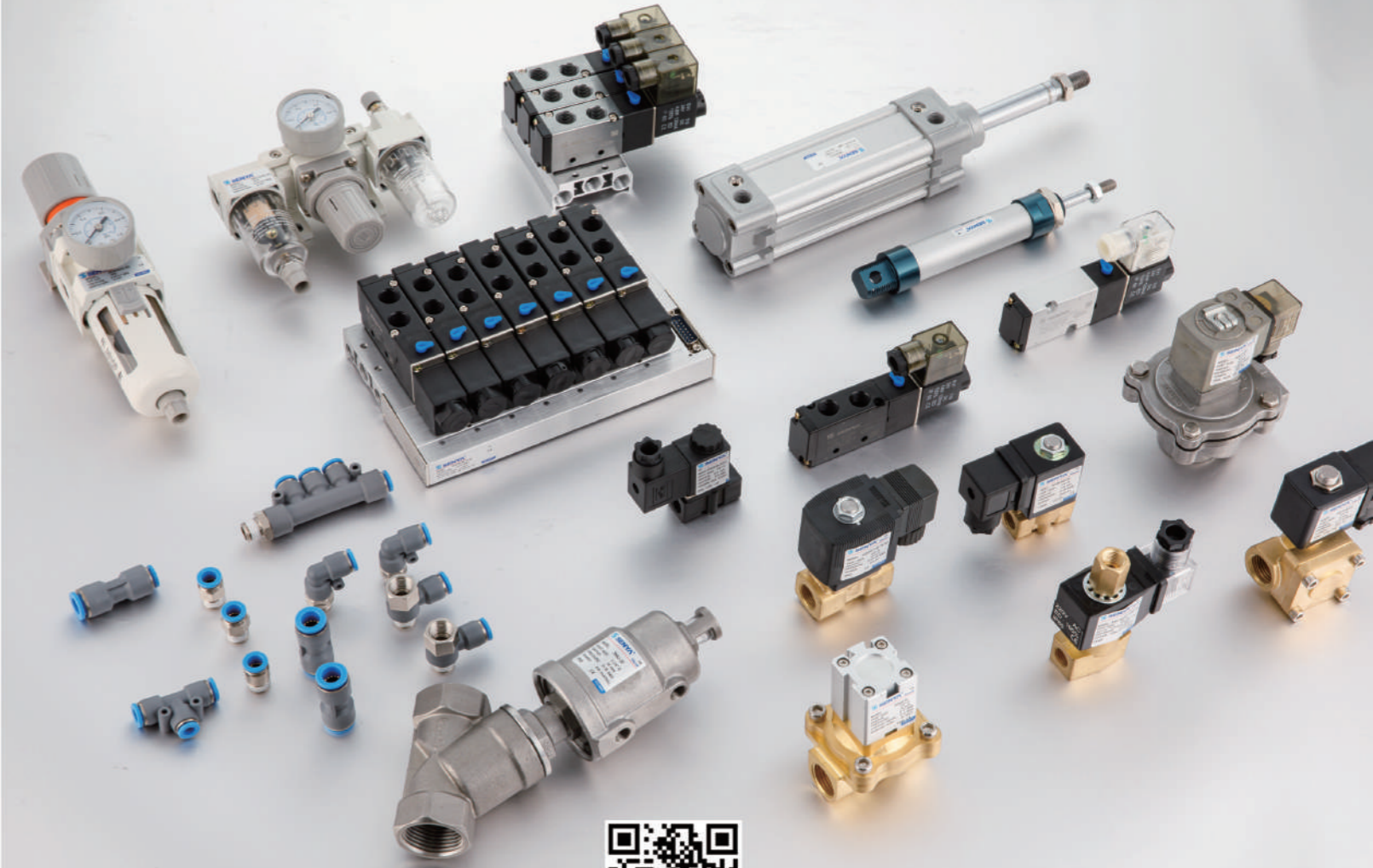
SENYA®

SENYA®

SENYA Pneumatic

SPECIALIZED IN PNEUMATIC
FIELDS OVER 20 YEARS

SINCE-2004



CONTACT US

Ningbo SENYA Pneumatic Technology CO., Ltd.

Address: No.138 Huiming Road, Fenghua District, Ningbo City, Zhejiang Province, China, 315504

Tel: +86 0574-88837865 Fax:+86 0574-88837737

M: +86 18857405853

Email: john.liu@nbsenya.com

NINGBO SENYA PNEUMATIC TECHNOLOGY CO., LTD.
www.nbsenya.com



SENYA Wide Layout
Of The Factory

Leading and Developing

As one of the earliest solenoid valve manufacturers, SENYA witness the development of solenoid valve and fluid control industry, we are still pressing on every step and climbing to the top of the industry...

Today SENYA Enjoys:

- 15000m² Factory
- 40+ Patent rights
- 100+ Staffs
- 25+ years Well-experienced On Sv
- 4+ Full Visual And Automatic Testing Lines





Now and Future

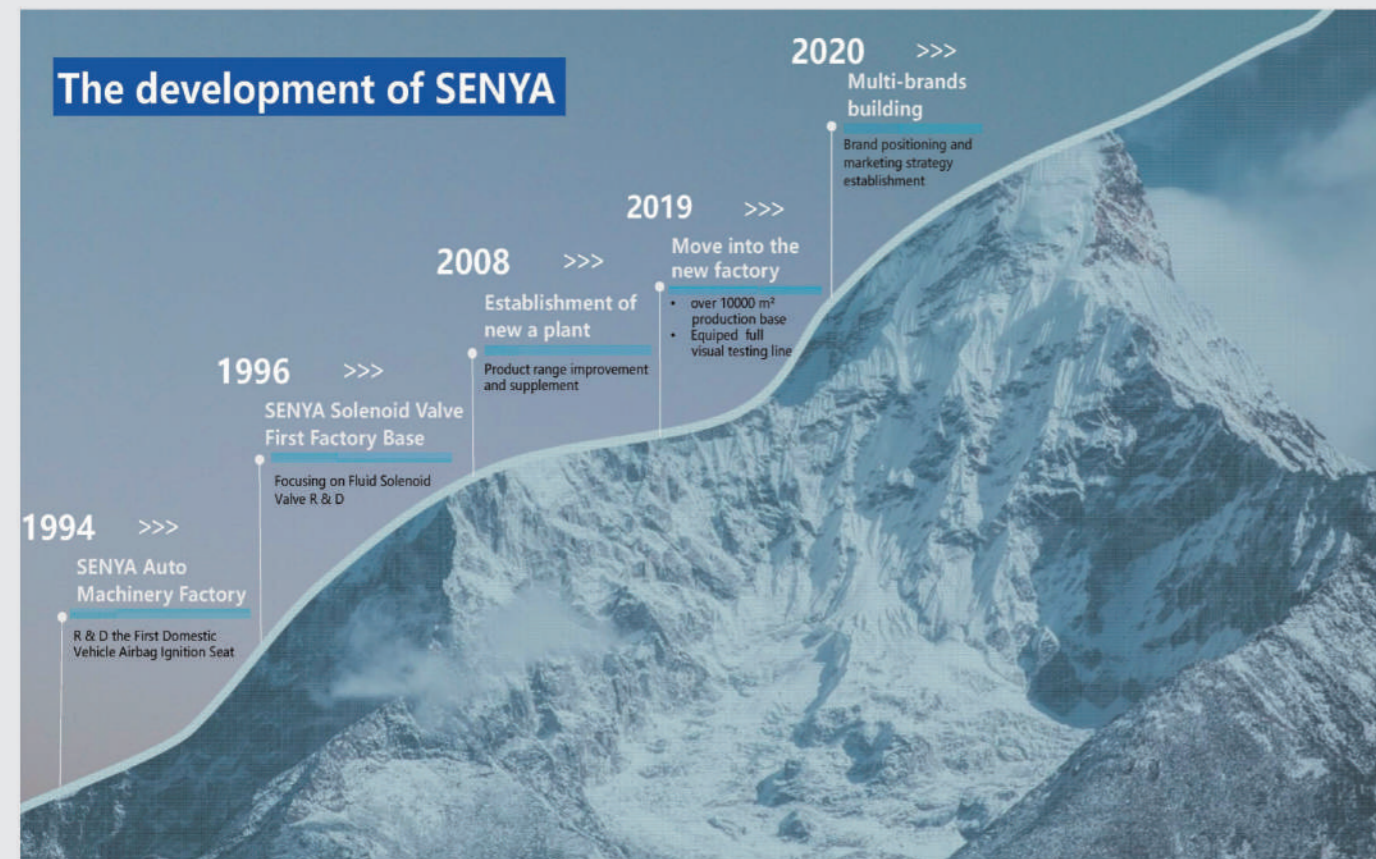
SENYA focuses on solenoid valve industry over 20 years. We are an customer-orientation company, helping customers realize the goal of maximum product efficiency, offering high cost-performance product to improve customers' sanctification.

Since founded in 2004, SENYA fully realizes the important of the quality, which means the life of the enterprise. And over two decades, SENYA has continuous innovation, efforts and self-breakthrough, and then we combined our technology and process to bring higher cost-effective products to fulfill market demand. In the future, SENYA will continue follow the core concept " Professionally pursues customer value" Devoting to be top solenoid valve industry brand and never stop!!!



Business Mission

1. Science & technology oriented
2. Qualit for business prosperity
3. Customer satisfaction
4. Constant improvement

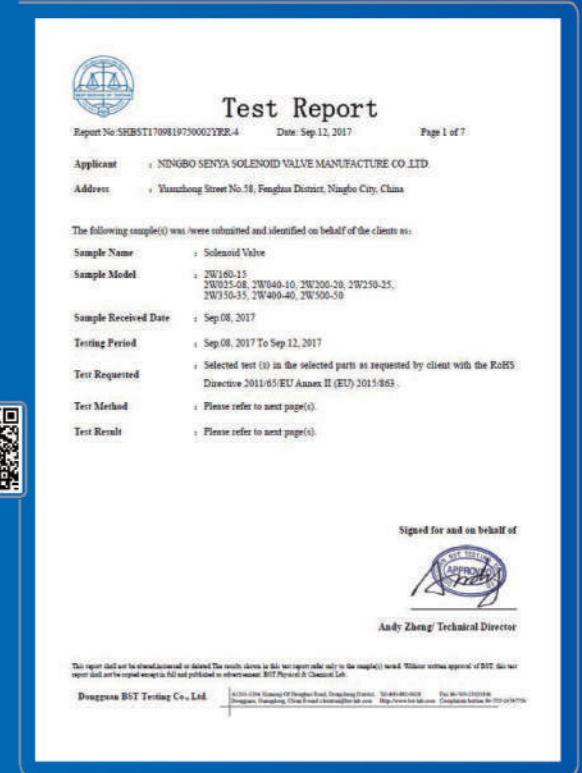


Qualification of Company

Quality certification is the passport for company globalization and also its starting point for company management.



CE Certification



RoHS Certification



ISO 9001:2008



A utility model relates to lathe patent



A solenoid valve patent



A drilling and tapping mechanism patent



A fixing mechanism for welding processing patent



A solenoid valve patent



A pilot solenoid valve patent



An angle valve patent



A pilot diaphragm type solenoid valve patent



A solenoid valve piston rod stamping device patent



Solenoid Valve Common Sense of Selection

Applicability

- The fluid in the pipeline must be consistent with the medium calibrated in the selected solenoid valve series model
- The temperature of the fluid must be less than the calibration temperature of the selected solenoid valve
- Solenoid valve allows the liquid viscosity is generally below 20CST, greater than 20CST should be indicated
- Working pressure difference, such as ZS should be selected when the maximum pressure difference of the pipeline is less than 0.04mpa; 2W, PU220, VX series and other direct acting or step direct acting; Large minimum working pressure difference At 0.04mpa, the pilot type (differential pressure) solenoid valve can be selected; Maximum working differential pressure shall be Less than the maximum calibration pressure of the solenoid valve; General solenoid valves are one-way work, so note Determine if there is a back pressure differential, if so install check valves.
- When the fluid cleanness is not high, the filter should be installed in front of the solenoid valve. The general solenoid valve requires good cleanness for the medium.
- Pay attention to flow aperture and pipe aperture; Solenoid valve generally only switch two control; If conditions permit, please install bypass pipe for easy maintenance; When there is water hammer phenomenon, the opening and closing time of the solenoid valve should be customized.
- Note the influence of ambient temperature on the solenoid valve.
- The power supply current and consumed power should be selected according to the output capacity. The power supply voltage is generally allowed to be about ±10%. It must be noted that the VA value is higher when ac starting. s generally below 20CST, greater than 20C ST should be indicated.

Reliability

- Solenoid valve is divided into normally closed and normally open two kinds; Normally closed type is generally selected, which is opened by power and closed by power failure; But in open time is very long, close time is very short to choose normally open type.
- When the action time is very short and the frequency is high, the direct action type is generally selected, and the fast series is selected for large diameter.

Security

- General solenoid valve is not waterproof, when conditions do not allow, please choose waterproof type, and consult the company to customize
- The highest nominal pressure of the solenoid valve must exceed the highest pressure in the pipeline, otherwise the service life will be shortened or produce other unexpected conditions.
- Corrosive liquid should choose all stainless steel type, strong corrosive fluid should choose PTFE type solenoid valve.
- The explosive environment must choose the corresponding explosion-proof products

Economic

- There are many solenoid valves can be used, but on the basis of meeting the above three points, the most economic products should be selected.

Note:

- √ : Good
- × : Not Good
- Blank : Unkown

Valve body, Sealing material Reference Table

Material	NBR	EPDM	PTFE	Viton	SUS304	SUS316	Brass	Castiron	Plastic
Medium									
Acetone		√	√	×	√	√	√	√	
Acetylene	√	×	√	√	√	√	√	√	
Ethanol	√	√	√	√	√	√	√	√	
Methanol	√	√	√	×	√	√	√	√	
Wine	√	√	√	√	√	√	√	√	√
Air	√	√	√	√	√	√	√	√	√
Gas	√	√	√	√	√	√	√	√	
Oxygen	√	√	√	√	√	√	√	√	√
Hydrogen	√		√	√	√	√	√		
Nitrogen	√	√	√	√	√	√	√		
City Gas	√		√	√	√	√	√		
Industrial Gas	√		√	√	√	√	√		
Refined Pctro	√		√	√	√	√	√	√	
Water	√	√	√	√	√	√	√	√	√
Steam	×	√	√	√	√	√	√	√	
Drinking Water	√	√	√	√	√	√	√	√	√
Sea Water	√	√	√	√	√	√	√		√
Industrial Waste Water			√	√	√	√			
Gasoline	√	×	√	√	√	√	√	√	
Kerosene	√	×	√	√	√	√	√	√	√
Fuel	√	×	√	√	√	√	√	√	√
Milk	√	√	√	√	√	√	√	√	√
Ammonia	×		√						
Toluene		×	√	√	√	√	√	√	
Xylene		×	√	√	√	√	√	√	
Propane	√	×	√	√	√	√	√	√	
Methane	√	×	√	√	√	√	√	√	
Carbon dioxide			√	√	√	√	√	√	
(10%,+20) Soeium hydroxide	√	×	√	√	√	√		√	
(10%,+20°C) Nitric acid			√	√	√	√			
(< 10%) Sulphuric-acid			√	√					
(< 10%) Hydrochloric acid	√		√	√					
Acetic acid	√	×	√	√	√	√	√	√	

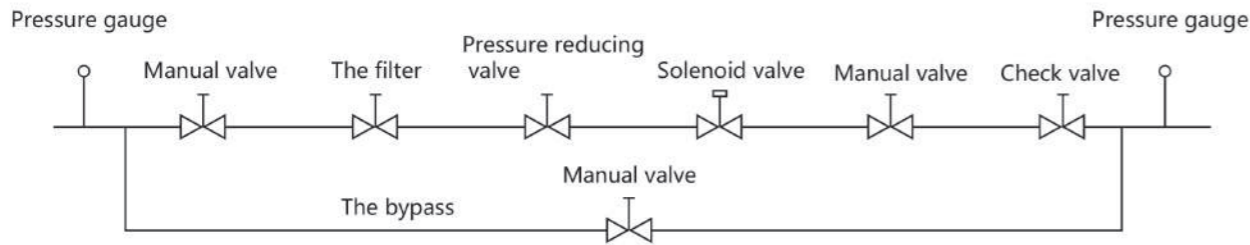
*if the material is not in the above list, Please consult our technical department before using

Solenoid Valve Installation and Troubleshooting



- Please refer to the instruction manual of the product before installation to see if it meets your requirements.
- The pipeline should be cleaned before use, the medium is not clean should be installed filter, to prevent impurities from interfering with the normal work of the solenoid valve.
- Solenoid valve is generally one-way work, can not reverse installation, valve arrow is the direction of movement of pipeline fluid, must be consistent
- Solenoid valve installation generally horizontal valve body, coil vertical upward, some products can be installed at will, but when conditions allow the best vertical, to increase the service life.
- Solenoid valve should be heated in icing place to work again, or set up heat preservation measures.
- After the electromagnetic coil lead line (connector) is connected, it should be confirmed whether it is firm, the contact of the connected electrical components should not shake, loose will cause the electromagnetic valve does not work.
- Continuous production of solenoid valve, the best use of bypass, easy maintenance, does not affect the production.

Installation Graphic



- The solenoid valve after a long time out of use, should be cleared of condensation before use; When disassembling and washing, the parts should be put in order and then restored to their original state

Troubleshooting

• Problems might cause → Solution

valve doesn't work when energized	the valve cannot be closed	other conditions
<ul style="list-style-type: none"> • Check whether the power cable is faulty → Rewire and connect the connector 	<ul style="list-style-type: none"> • Seals of main spool or moving iron core are damaged → Change seals 	<ul style="list-style-type: none"> • Inside leakage → Check seals for damage and springs for improper assembly
<ul style="list-style-type: none"> • Check whether the power supply voltage is within ± operating range → Adjust to normal position range 	<ul style="list-style-type: none"> • Whether the fluid temperature and viscosity are too high → Replace the solenoid valve of the corresponding port. 	<ul style="list-style-type: none"> • Outside leakage The joint is loose or the seal is broken → Tighten screws or replace seals
<ul style="list-style-type: none"> • Whether the coil is unsolder → Reweld 	<ul style="list-style-type: none"> • Impurities into the solenoid valve main spool or moving iron core → Cleaning 	<ul style="list-style-type: none"> • Noise when powered on → Voltage fluctuation is not allowed within the range, adjust the voltage, iron core suction surface impurities or uneven, timely cleaning or replacement.
<ul style="list-style-type: none"> • The coil short circuit → Replace the coil 	<ul style="list-style-type: none"> • Spring life has reached or deformed → Replace 	
<ul style="list-style-type: none"> • Whether the working pressure difference is inappropriate → Adjust the differential pressure 	<ul style="list-style-type: none"> • The throttle hole balance hole is blocked → Cleaning 	
<ul style="list-style-type: none"> • Over-temperature of fluid → Replace the appropriate solenoid valve 	<ul style="list-style-type: none"> • Working frequency is too high or life is over → Change the product or replace the product. 	
<ul style="list-style-type: none"> • Impurities make the main valve and moving core of the solenoid valve stuck → Clean, if there are damaged seals should be replaced seals and install filters. 		
<ul style="list-style-type: none"> • The liquid is too viscous, the frequency is too high and the life is over → Replace the product. 		

SENYA®
CE ISO9001: 2008

2/2
DIRECT&PILOT ACTING
SOLENOID VALVES
NC & NO

SERIES
PU225
2/2 | NC
Pilot Operated
PAGE 1-2

BODY MATERIAL: BRASS
CONNECTION: BSPP 1/4-2
SEAL: NBR - VITON - EPDM
PRESSURE: 0.05-1.6 Mpa (7-232 PSI)

SERIES
PU220
2/2 | NC
Direct Acting
PAGE 3-4

BODY MATERIAL: BRASS
CONNECTION: BSPP 1/8-2
SEAL: NBR - VITON - EPDM
PRESSURE: 0-1.0 Mpa (0-145 PSI)

SERIES
2W
2/2 | NC
Direct Acting
PAGE 5-7

BODY MATERIAL: BRASS
CONNECTION: BSPP 1/8-2
SEAL: NBR - VITON - EPDM-SILICON
PRESSURE: 0-1.0 Mpa (0-145 PSI)

SERIES
SY223
2/2 | NC
Pilot Acting
PAGE 8-9

BODY MATERIAL: BRASS
CONNECTION: BSPP 1/4-2
SEAL: NBR - VITON - EPDM-SILICON
PRESSURE: 0.07-1.6 MPa (10-232 PSI)

SERIES
US
2/2 | NC
Pilot Operated
PAGE 10-11

BODY MATERIAL: BRASS
CONNECTION: BSPP 1/2-2
SEAL: PTFE
PRESSURE: 0.1-1.5 Mpa (14.5-218 PSI)

SERIES
2WH
2/2 | NC
Direct Acting
PAGE 12-14

BODY MATERIAL: BRASS
CONNECTION: BSPP 1/8-3/8
SEAL: NBR - VITON - EPDM
PRESSURE: 0-2.0 Mpa (0-290 PSI)

SERIES
2V
2/2 | NC
Direct Acting Pilot Operated
PAGE 15-17

BODY MATERIAL: BRASS
CONNECTION: BSPP 1/8-1
SEAL: NBR
PRESSURE: 0-1.0 Mpa (0-145 PSI)

SERIES
5404
2/2 | NC
Pilot Acting
PAGE 18-19

BODY MATERIAL: BRASS
CONNECTION: BSPP 1/2-1
SEAL: PTFE
PRESSURE: 0-5 Mpa (0-725 PSI)

SERIES
KSD
2/2, 3/2 | NC
Direct Acting
PAGE 20-21

BODY MATERIAL: BRASS
CONNECTION: BSPP 1/4-3/8
SEAL: PTFE
PRESSURE: 0-0.9 Mpa (0-131PSI)

SERIES
2WK
2/2 | NO
Direct Acting
PAGE 22-24

BODY MATERIAL: BRASS
CONNECTION: BSPP 1/8-2
SEAL: NBR - VITON - EPDM
PRESSURE: 0-1.0 Mpa (0-145 PSI)

SERIES
0927
2/2 | NC
Pilot Operated
PAGE 25-27

BODY MATERIAL: BRASS
CONNECTION: BSPP 1/4-2
SEAL: NBR - VITON - EPDM
PRESSURE: 0.07-1.6 Mpa (10-232 PSI)

SERIES
SYPT
2/2 | NC
Direct Acting
PAGE 28-29

BODY MATERIAL: BRASS
CONNECTION: BSPP 1/4-3/8
SEAL: NBR
PRESSURE: 0-1.6 Mpa (0-232PSI)

SERIES
VX2120
2/2 | NC
Direct Acting
PAGE 30-31

BODY MATERIAL: BRASS
CONNECTION: BSPP 1/8-1/2
SEAL: NBR - VITON
PRESSURE: 0-1.0 Mpa (0-145 PSI)

SERIES 2S

2/2 | NC
Direct Acting

PAGE 32-34



QR CODE

BODY MATERIAL STAINLESS STEEL	SEAL NBR - VITON - EPDM-SILICONE
CONNECTION BSPP 1/8-2	PRESSURE 0-1 Mpa (0-145 PSI)

HOT

SERIES 2SK

2/2 | NC
Direct Acting

PAGE 35-37



QR CODE

BODY MATERIAL STAINLESS STEEL	SEAL NBR - VITON - EPDM-SILICONE
CONNECTION BSPP 1/8-2	PRESSURE 0-1 Mpa (0-145 PSI)

SERIES 2SF

2/2 | NC
Direct Acting

PAGE 38-39



QR CODE

BODY MATERIAL STAINLESS STEEL	SEAL NBR - VITON - EPDM-SILICONE
CONNECTION FLANGE	PRESSURE 0-1 Mpa (0-145 PSI)

SERIES DMF-Y

2/2 | NC
Pilot Operated

PAGE 65-66



QR CODE

BODY MATERIAL CAST ALUMINUM	SEAL NBR
CONNECTION φ41-φ90	PRESSURE 0.3-0.8 MPa (44-116 PSI)

SERIES Diaphragm and Coil

PAGE 91-93



QR CODE

ACCESSORIES	PISTON
COIL	DIAPHRAGM

2/2 SOLENOID VALVE
STAINLESS STEEL VALVE
PNEUMATIC VALVE

SERIES USB

2/2 | NC
Pilot Operated

PAGE 40-41




QR CODE

BODY MATERIAL STAINLESS STEEL	SEAL PTFE
CONNECTION BSPP 1/2-2	PRESSURE 0.1-1.5 Mpa (14.5-218 PSI)

SERIES USF

2/2 | NC
Pilot Operated

PAGE 42-43

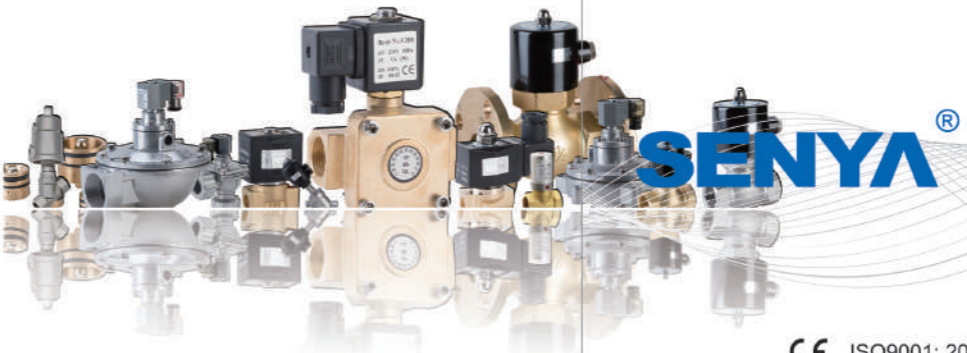


QR CODE

BODY MATERIAL BRASS	SEAL PTFE
CONNECTION FLANGED	PRESSURE 0.1-1.5 Mpa (14.5-218 PSI)

SENYA®

CE ISO9001: 2008



2/2 VALVE ACCESSORIES
DIRECTIONAL VALVE
PUSH-IN FITTING
FRLs

SERIES SNA

2/2 | NC
Pneumatic Operated

PAGE 44-46



QR CODE

BODY MATERIAL STAINLESS STEEL	SEAL PTFE
CONNECTION BSPP 1/2-2	PRESSURE 0-1.5 Mpa (0-218 PSI)

SERIES Q22HD

2/2 | NC
Pneumatic Operated

PAGE 47-48



QR CODE

BODY MATERIAL BRASS	SEAL PTFE
CONNECTION BSPP 1/2-2	PRESSURE 0.2-0.6 Mpa (29-87 PSI)

SERIES 2Q

2/2 | NC
Pneumatic Operated

PAGE 49-50



QR CODE

BODY MATERIAL BRASS	SEAL PTFE
CONNECTION BSPP 1/4-2	PRESSURE 0-0.7 Mpa (0-102 PSI)

SERIES V3

5/2 | NC
Pilot Operated

PAGE 67-71



QR CODE

BODY MATERIAL CAST ALUMINUM	SEAL NBR
CONNECTION M5-1/2" BSP	PRESSURE 0.15-0.8 MPa (22-116 PSI)

SERIES V4

2/2 | NC
Pilot Operated

PAGE 72-78



QR CODE

BODY MATERIAL CAST ALUMINUM	SEAL NBR
CONNECTION M5-1/2" BSP	PRESSURE 0.15-0.8 MPa (22-116 PSI)

SERIES M4

2/2 | NC
Pilot Operated

PAGE 79-82



QR CODE

BODY MATERIAL CAST ALUMINUM	SEAL NBR
CONNECTION φ41-φ90	PRESSURE 0.3-0.8 MPa (44-116 PSI)

SERIES Q

3/2 | NC
Direct Acting

PAGE 51-52



QR CODE

BODY MATERIAL ALUMINUM	SEAL NBR
CONNECTION BSPP 1/4	PRESSURE 0-0.8 Mpa (0-116 PSI)

SERIES DF

2/2 | NC
Direct Acting

PAGE 53-54



QR CODE

BODY MATERIAL PRECISION IRON CASTING	SEAL NBR
CONNECTION FLANGED	PRESSURE 0-0.8 Mpa (0-116 PSI)

SERIES 2P

2/2 | NC
Direct Acting

PAGE 55-56



QR CODE

BODY MATERIAL POLYMER	SEAL NBR - VITON - EPDM
CONNECTION BSPP 1/8-1/4	PRESSURE 0-1.0 Mpa (0-145 PSI)

SERIES SV

5/2 | NC
Pilot Operated

PAGE 82-84



QR CODE

BODY MATERIAL ALUMINUM	SEAL NBR
CONNECTION 1/4" BSP	PRESSURE 0.15-0.8 MPa (22-116 PSI)

SERIES SW

5/2 | NC
Pilot Operated

PAGE 85-87



QR CODE

BODY MATERIAL ALUMINUM	SEAL NBR
CONNECTION 1/4" BSP	PRESSURE 0.15-0.8 MPa (22-116 PSI)

SERIES SU

5/2 | NC
Pilot Operated

PAGE 88-89




QR CODE

BODY MATERIAL ALUMINUM	SEAL NBR
CONNECTION 1/4" BSP	PRESSURE 0.15-0.8 MPa (22-116 PSI)

SERIES DMF-Z

2/2 | NC
Pilot Operated

PAGE 57-59



QR CODE

BODY MATERIAL CAST ALUMINUM	SEAL NBR
CONNECTION BSPP 3/4 & 1	PRESSURE 0.3-0.8 MPa (44-116 PSI)

SERIES DMF-DD

2/2 | NC
Pilot Operated

PAGE 60-61



QR CODE

BODY MATERIAL CAST ALUMINUM	SEAL NBR
CONNECTION φ35 & φ50	PRESSURE 0.3-0.8 MPa (44-116 PSI)

SERIES DMF-A

2/2 | NC
Pilot Operated

PAGE 62-64



QR CODE

BODY MATERIAL CAST ALUMINUM	SEAL NBR
CONNECTION BSPP 3/4 - 3	PRESSURE 0.3-0.8 MPa (44-116 PSI)

SERIES GP

Push-in Fittings

PAGE 90-107




QR CODE

BODY MATERIAL PLASTIC, BRASS	SEAL NBR
CONNECTION 1/8" - 1/2" BSP	PRESSURE 0-1MPa (0-145 PSI)

SERIES A

Standard FRLs

PAGE 108-109



QR CODE

BODY MATERIAL CAST ALUMINUM	SEAL -
CONNECTION 1/4" - 1" BSP	PRESSURE 0-MPa (0-145PSI)

SERIES SS

SS316 FRLs

PAGE 110-114




QR CODE

BODY MATERIAL STAINLESS STEEL 316	SEAL -
CONNECTION 1/8" - 1/2" BSP	PRESSURE 0-2MPa (0-290 PSI)

SERIES
DNC

ISO15552 PAGE
115-118



QR CODE

BODY MATERIAL CAST ALUMINIMUM	SEAL TPU
CONNECTION Bore 32-125mm	PRESSURE 0.1-0.9MPa (45-131 PSI)

SERIES
SC

Standard cylinder PAGE
119-122



QR CODE

BODY MATERIAL CAST ALUMINIMUM	SEAL TPU
CONNECTION Bore 32-125mm	PRESSURE 0.1-0.9MPa (45-131 PSI)



CE ISO9001: 2008

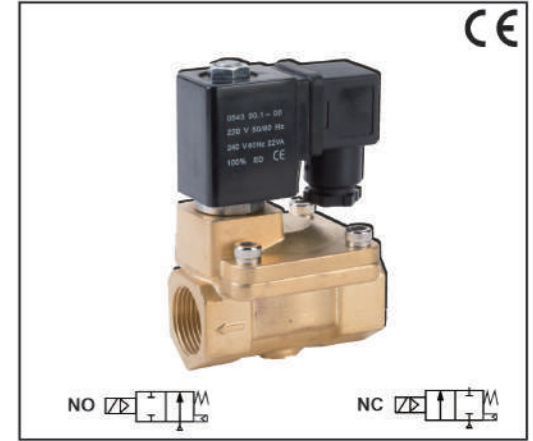
PNEUMATIC CYLINDER

2-WAY **2/2** **SERIES** **PU225** Pilot Operated **General Service Solenoid Valves**
Brass or Stainless Steel Bodies
1/4" to 2" BSPP



Features

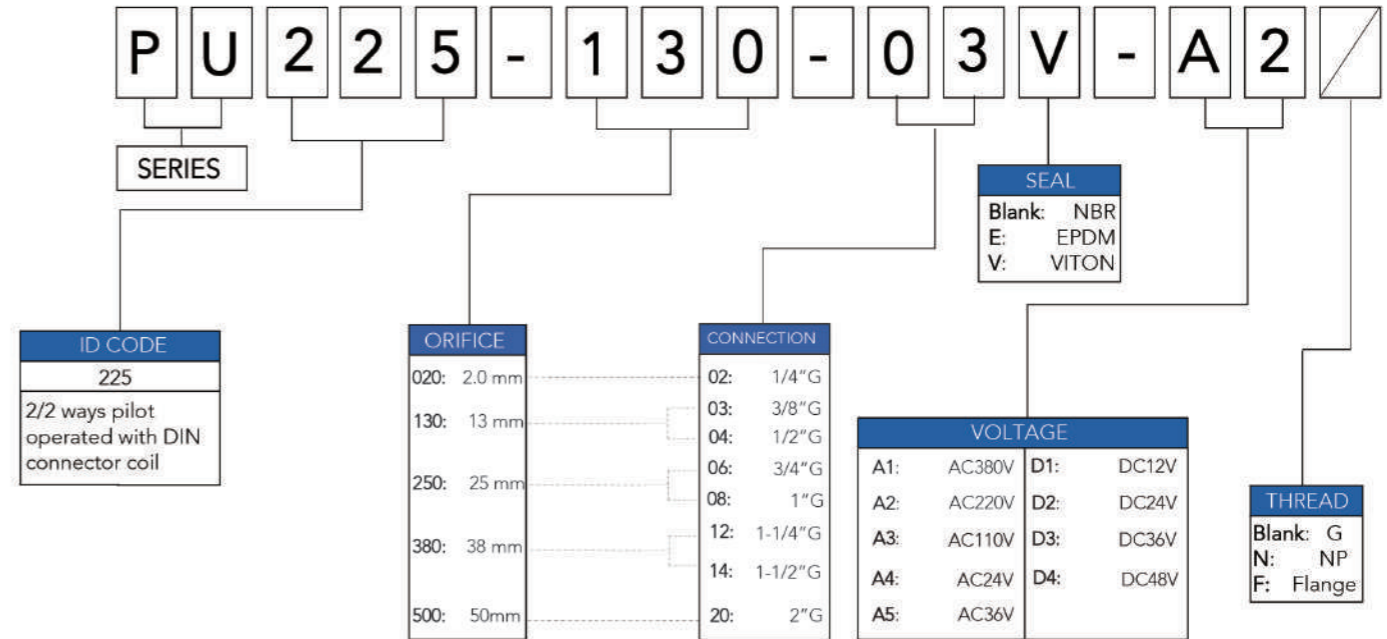
- Wide range of pressure ratings, sizes, and resilient materials provide long service life and low internal leakage
- High flow valves for liquid, corrosive, and air/inert gas service
- Industrial applications include:
 - Car Wash
 - Air Compressors
 - Pumps
 - Laundry Equipment
 - Industrial Water Control
 - Water Treatment



Electrical

Standard Coil	Watt Rating and Power Consumption				Spare Coil Part Number			
	DC Watt	AC			General Purpose		Explosionproof	
		Watt	VA Holdin	VA Inrus	AC	DC	AC	DC
F	13	22	22	40	0545-AC	0545-DC	1680-AC	1680-DC
F	13	22	25	70	0543-AC	0543-DC	1661-AC	1661-DC
F	13	22	35	180	-	-	1381-AC	1381-DC

Ordering Code



Order Example:
PU series pilot operated 2/2 ways solenoid valve, 1/2" port size, VITON diaphragm seals, AC220V, DIN connector, BSPP (G) thread.
SENYA part# PU225-130-03V-A2



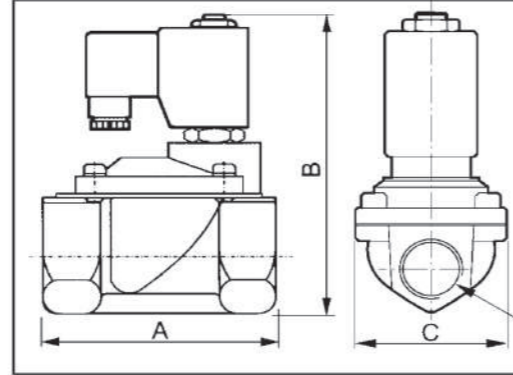
Pilot Operated
General Service Solenoid Valves
 Brass or Stainless Steel Bodies
 1/4" to 2" BSPP

2/2
SERIES
PU225

2-WAY

Dimensions Sheet (mm)

Model	Port Size	A	B	C
PU225-130-03-A2	3/8"	67.5	106	48
PU225-130-04-A2	1/2"	67.5	106	48
PU225-250-06-A2	3/4"	75	112	58
PU225-250-08-A2	1"	96	124.5	70
PU225-380-12-A2	1 1/4"	130	139	97
PU225-380-14-A2	1 1/2"	130	139	97
PU225-500-20-A2	2"	161	160.5	112



*Note:
 SPU series dimensions is the same as PU series

Specifications (Metric units)

Pipe Size (in)	Orifice Size (mm)	CV Flow Factor	Operating Pressure Differential (Bar)						Max. Fluid Temp. °C		Brass	Stainless Steel 304	Watt Rating/Class of Coil Insulation		
			Max. AC			Max. DC			AC	DC			AC	DC	
			Min.	Air-Inert Gas	Water	Light Oil less 50 CST	Air-Inert Gas	Water							Light Oil less 50 CST
NORMALLY CLOSED (Closed when de-energized)															
3/8	13	4.5	0.05	16	16	13	16	16	13	80	80	PU225-130-03-A2	SPU225-130-03-A2	6.1/F	11.6/F
3/8	13	4.5	0.05	16	16	-	16	16	-	130	130	PU225-130-03E-A2	SPU225-130-03E-A2	10.1/F	11.6/F
3/8	13	4.5	0.05	16	16	13	16	16	13	120	120	PU225-130-03V-A2	SPU225-130-03V-A2	6.1/F	11.6/F
1/2	13	4.5	0.05	16	16	13	16	16	13	80	80	PU225-130-04-A2	SPU225-130-04-A2	17.1/F	-
1/2	13	4.5	0.05	16	16	-	16	16	-	130	130	PU225-130-04E-A2	SPU225-130-04E-A2	6.1/F	11.6/F
1/2	13	4.5	0.05	16	16	13	16	16	13	120	120	PU225-130-04V-A2	SPU225-130-04V-A2	10.1/F	11.6/F
3/4	25	7.6	0.05	16	16	13	16	16	13	80	80	PU225-250-06-A2	SPU225-250-06-A2	17.1/F	11.6/F
3/4	25	7.6	0.05	16	16	-	16	16	-	130	130	PU225-250-06E-A2	SPU225-250-06E-A2	6.1/F	11.6/F
3/4	25	7.6	0.05	16	16	13	16	16	13	120	120	PU225-250-06V-A2	SPU225-250-06V-A2	17.1/F	-
1	25	12	0.05	16	16	13	16	16	13	80	80	PU225-250-08-A2	SPU225-250-08-A2	17.1/F	40.6H
1	25	12	0.05	16	16	-	16	16	-	130	130	PU225-250-08E-A2	SPU225-250-08E-A2	17.1/F	11.6/F
1	25	12	0.05	16	16	13	16	16	13	120	120	PU225-250-08V-A2	SPU225-250-08V-A2	6.1/F	11.6/F
1 1/4	38	22	0.05	16	16	13	16	16	13	80	80	PU225-380-12-A2	SPU225-380-12-A2	10.1/F	11.6/F
1 1/4	38	22	0.05	16	16	-	16	16	-	130	130	PU225-380-12E-A2	SPU225-380-12E-A2	6.1/F	11.6/F
1 1/4	38	22	0.05	16	16	13	16	16	13	120	120	PU225-380-12V-A2	SPU225-380-12V-A2	16.1/F	30.8/F
1 1/2	38	30	0.05	16	16	13	16	16	13	80	80	PU225-380-14-A2	SPU225-380-14-A2	16.1/F	30.8/F
1 1/2	38	30	0.05	16	16	-	16	16	-	130	130	PU225-380-14E-A2	SPU225-380-14E-A2	6.1/F	11.6/F
1 1/2	38	30	0.05	16	16	13	16	16	13	120	120	PU225-380-14V-A2	SPU225-380-14V-A2	20.1/F	-
2	50	48	0.05	16	16	13	16	16	13	80	80	PU225-500-20-A2	SPU225-500-20-A2	17.1/F	-
2	50	48	0.05	16	16	-	16	16	-	130	130	PU225-500-20E-A2	SPU225-500-20E-A2	16.1/F	30.8/F
2	50	48	0.05	16	16	13	16	16	13	120	120	PU225-500-20V-A2	SPU225-500-20V-A2	6.1/F	11.6/F

*Note:
 Standard Voltages must be specified when ordering. Other voltages please consult SENYA staff for more details



2/2
SERIES
PU220

Direct Acting
General Service Solenoid Valves
 Brass Bodies
 1/8" to 1" BSPP

Features

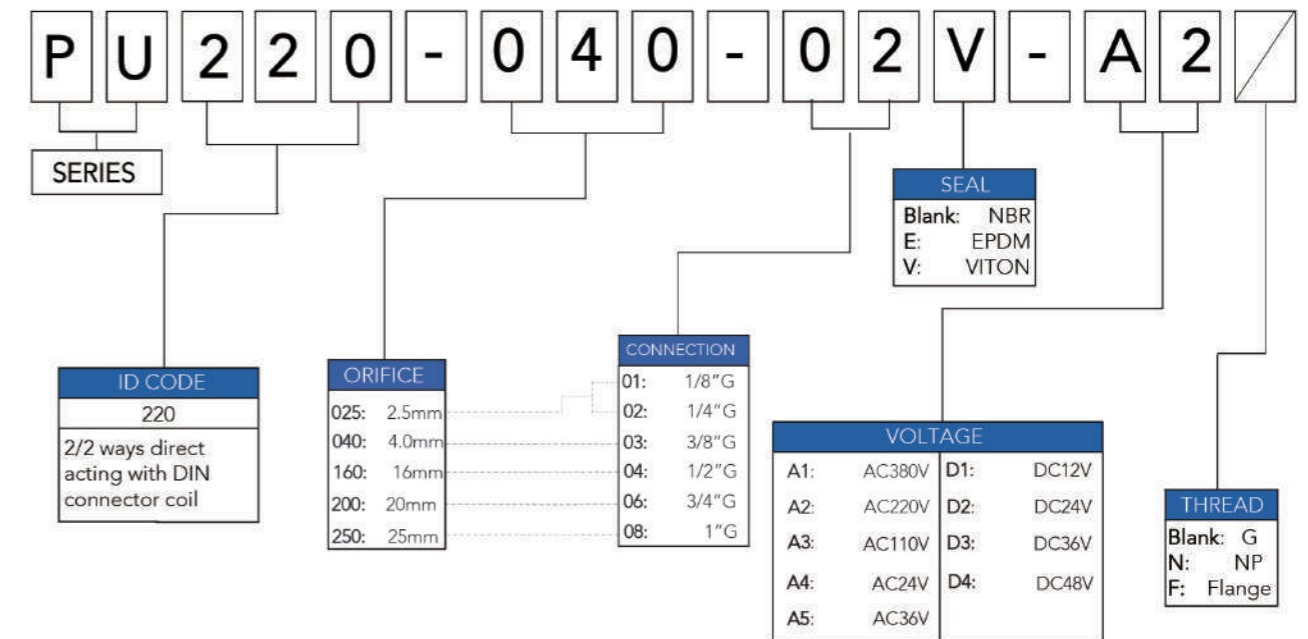
- Zero pressure start, quick reaction time, flow capacity higher than pilot operated type
- Reliable, proven design with high flows
- Direct acting design, it has strong resistance to impurities in the medium
- Industrial applications include:
 - Car Wash
 - Air Compressors
 - Pumps
 - Laundry Equipment
 - Industrial Water Control
 - Water Treatment



Electrical

Standard Coil	Watt Rating and Power Consumption				Spare Coil Part Number			
	DC Watt	AC			General Purpose		Explosionproof	
		Watt	VA Holdin	VA Inrus	AC	DC	AC	DC
F	13	22	22	40	0545-AC	0545-DC	1680-AC	1680-DC
F	13	22	25	70	0543-AC	0543-DC	1661-AC	1661-DC
F	13	22	35	180	-	-	1381-AC	1381-DC

Ordering Code



Order Example:
 PU series direct acting 2/2 ways solenoid valve, 1/2" port size, VITON diaphragm seals, AC220V, DIN connector, BSPP (G) thread.
 SENYA part# PU220-160-04V-A2



General Service Solenoid Valves

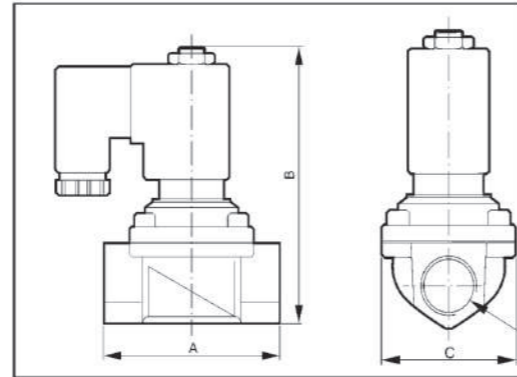
Direct Acting
Brass Bodies
1/8" to 1" BSPP

**2/2
SERIES
PU220**

2-WAY

Dimensions Sheet (mm)

Model	Port Size	A	B	C
PU220-025-01-A2	1/8"	30	62	22
PU220-025-02-A2	1/4"	30	62	22
PU220-040-03-A2	3/8"	67.5	101	48
PU220-160-04-A2	1/2"	67.5	101	48
PU220-200-06-A2	3/4"	75	107	58
PU220-250-08-A2	1"	96	121	70



Specifications (Metric units)

Pipe Size (in)	Orifice Size (mm)	CV Flow Factor	Operating Pressure Differential (Bar)						Max. Fluid Temp. °C		Brass Catalog Number	Stainless Steel 304 Catalog Number	Watt Rating/ Class of Coil Insulation		
			Max. AC			Max. DC			AC	DC			AC	DC	
			Min.	Air-Inert Gas	Water	Light Oil less 50 CST	Air-Inert Gas	Water							Light Oil less 50 CST
NORMALLY CLOSED (Closed when de-energized)															
1/8	2.5	0.23	0	7	7	7	5	5	5	80	80	PU220-025-01-A2	-	6.1/F	11.6/F
1/8	2.5	0.23	0	7	7	-	5	5	-	120	120	PU220-025-01E-A2	-	10.1/F	11.6/F
1/8	2.5	0.23	0	7	7	7	5	5	5	120	120	PU220-025-01V-A2	-	6.1/F	11.6/F
1/4	2.5	0.23	0	7	7	7	5	5	5	80	80	PU220-025-02-A2	-	17.1/F	-
1/4	2.5	0.23	0	7	7	-	5	5	-	120	120	PU220-025-02E-A2	-	6.1/F	11.6/F
1/4	2.5	0.23	0	7	7	7	5	5	5	120	120	PU220-025-02V-A2	-	10.1/F	11.6/F
3/8	4	0.6	0	8	8	5	5	5	5	80	80	PU220-040-03-A2	-	17.1/F	11.6/F
3/8	4	0.6	0	8	8	5	5	5	5	120	120	PU220-040-03E-A2	-	6.1/F	11.6/F
3/8	4	0.6	0	8	8	5	5	5	5	120	120	PU220-040-03V-A2	-	17.1/F	-
1/2	16	4.8	0	10	10	7	6	6	4	80	80	PU220-160-04-A2	-	17.1/F	40.6H
1/2	16	4.8	0	10	10	7	6	6	4	120	120	PU220-160-04E-A2	-	17.1/F	11.6/F
1/2	16	4.8	0	10	10	7	6	6	4	120	120	PU220-160-04V-A2	-	6.1/F	11.6/F
3/4	20	7.6	0	10	10	7	6	6	4	80	80	PU220-200-06-A2	-	10.1/F	11.6/F
3/4	20	7.6	0	10	10	7	6	6	4	120	120	PU220-200-06E-A2	-	6.1/F	11.6/F
3/4	20	7.6	0	10	10	7	6	6	4	120	120	PU220-200-06V-A2	-	16.1/F	30.8/F
1	25	12	0	10	10	7	6	6	4	80	80	PU220-250-08-A2	-	16.1/F	30.8/F
1	25	12	0	10	10	7	6	6	4	120	120	PU220-250-08E-A2	-	6.1/F	11.6/F
1	25	12	0	10	10	7	6	6	4	120	120	PU220-250-08V-A2	-	20.1/F	-

*Note: Standard Voltages must be specified when ordering. Other voltages please consult SENYA staff for more details



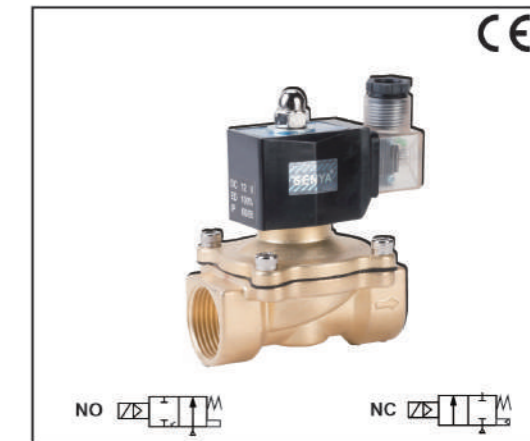
**2/2
SERIES
2W**

General Service Solenoid Valves

Direct Acting
Brass Bodies
1/8" to 2" BSPP

Features

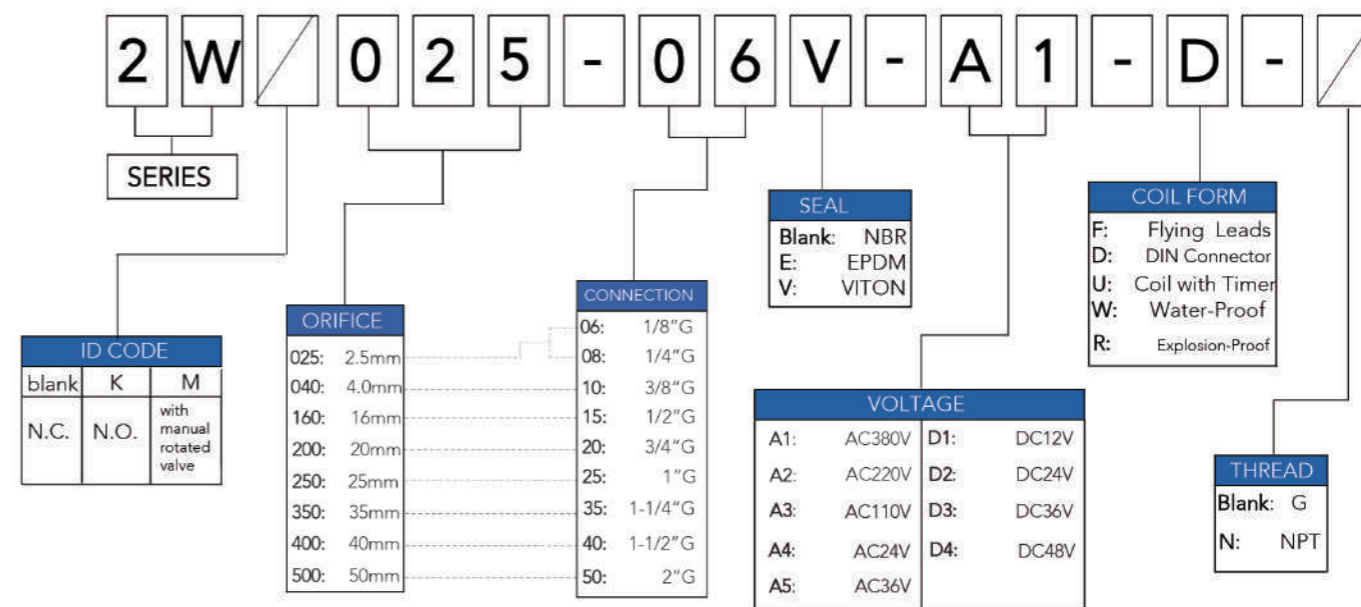
- Zero pressure start, quick reaction time, flow capacity higher than pilot operated type
- Reliable, proven design with high flows
- Direct acting design, it has strong resistance to impurities in the medium
- Industrial applications include:
 - Car Wash
 - Air Compressors
 - Pumps
 - Laundry Equipment
 - Industrial Water Control
 - Water Treatment



Electrical

Standard Coil Class of Insulation	Watt Rating and Power Consumption				Spare Coil Part Number			
	DC Watt	AC			General Purpose		Explosionproof	
		Watt	VA Holdin	VA Inrus	AC	DC	AC	DC
F	13	22	22	40	AB310-AC	AB310-DC	1680-AC	1680-DC
F	16	18	22	65	AB410-AC	AB410-DC	1661-AC	1661-DC
F	13	22	35	180	-	-	1381-AC	1381-DC

Ordering Code



Order Example: 2W series direct acting 2/2 ways N. C. solenoid valve, 1/2" port size, VITON seals, AC220V, DIN connector, BSPP (G) thread. SENYA part# 2W160-15V-A2-D



General Service Solenoid Valves

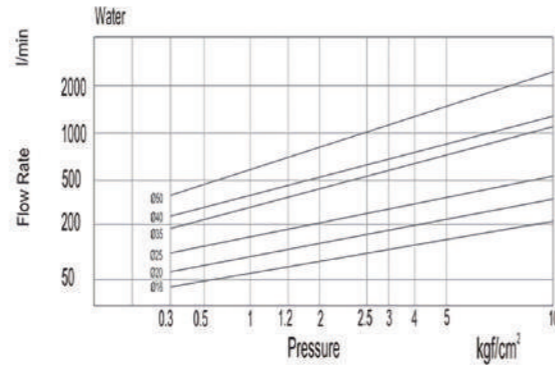
Direct Acting
Brass Bodies
1/8" to 2" BSPP

2/2
SERIES
2W

2-WAY

Flow Rate

Model	Port Size	Orifice
2W160-15-A2-D	1/2"	16mm
2W200-20-A2-D	3/4"	20mm
2W250-25-A2-D	1"	25mm
2W350-35-A2-D	1-1/4"	35mm
2W400-40-A2-D	1-1/2"	40mm
2W500-50-A2-D	2"	50mm



Specifications (Metric units)

Pipe Size (in)	Orifice Size (mm)	CV Flow Factor	Operating Pressure Differential (Bar)								Max. Fluid Temp. °C		Brass		Stainless Steel 304		Watt Rating/ Class of Coil Insulation	
			Min.	Max. AC			Max. DC			AC	DC	AC	DC	Catalog Number	Catalog Number	AC	DC	
				Air-Inert Gas	Water	Light Oil less 50 CST	Air-Inert Gas	Water	Light Oil less 50 CST									
NORMALLY CLOSED (Closed when de-energized)																		
1/8	2.5	0.23	0	7	7	7	5	5	5	80	80	2W025-06-A2-D	2S025-06-A2-D	6.1/F	11.6/F			
1/8	2.5	0.23	0	7	7	-	5	5	-	120	120	2W025-06E-A2-D	2S025-06E-A2-D	10.1/F	11.6/F			
1/8	2.5	0.23	0	7	7	7	5	5	5	120	120	2W025-06V-A2-D	2S025-06V-A2-D	6.1/F	11.6/F			
1/4	2.5	0.23	0	7	7	7	5	5	5	80	80	2W025-08-A2-D	2S025-08-A2-D	17.1/F	-			
1/4	2.5	0.23	0	7	7	-	5	5	-	120	120	2W025-08E-A2-D	2S025-08E-A2-D	6.1/F	11.6/F			
1/4	2.5	0.23	0	7	7	7	5	5	5	120	120	2W025-08V-A2-D	2S025-08V-A2-D	10.1/F	11.6/F			
3/8	4	0.6	0	8	8	5	5	5	5	80	80	2W040-10-A2-D	2S040-10-A2-D	17.1/F	11.6/F			
3/8	4	0.6	0	8	8	5	5	5	5	120	120	2W040-10E-A2-D	2S040-10E-A2-D	6.1/F	11.6/F			
3/8	4	0.6	0	8	8	5	5	5	5	120	120	2W040-10V-A2-D	2S040-10V-A2-D	17.1/F	-			
1/2	16	4.8	0	10	10	7	6	6	4	80	80	2W160-15-A2-D	2S160-15-A2-D	17.1/F	40.6H			
1/2	16	4.8	0	10	10	7	6	6	4	120	120	2W160-15E-A2-D	2S160-15E-A2-D	17.1/F	11.6/F			
1/2	16	4.8	0	10	10	7	6	6	4	120	120	2W160-15V-A2-D	2S160-15V-A2-D	6.1/F	11.6/F			
3/4	20	7.6	0	10	10	7	6	6	4	80	80	2W200-20-A2-D	2S200-20-A2-D	10.1/F	11.6/F			
3/4	20	7.6	0	10	10	7	6	6	4	120	120	2W200-20E-A2-D	2S200-20E-A2-D	6.1/F	11.6/F			
3/4	20	7.6	0	10	10	7	6	6	4	120	120	2W200-20V-A2-D	2S200-20V-A2-D	16.1/F	30.8/F			
1	25	12	0	10	10	7	6	6	4	80	80	2W250-25-A2-D	2S250-25-A2-D	16.1/F	30.8/F			
1	25	12	0	10	10	7	6	6	4	120	120	2W250-25E-A2-D	2S250-25E-A2-D	6.1/F	11.6/F			
1	25	12	0	10	10	7	6	6	4	120	120	2W250-25V-A2-D	2S250-25V-A2-D	20.1/F	-			
1-1/4	35	24	0	10	10	7	6	6	4	80	80	2W350-35-A2-D	2S350-35-A2-D	10.1/F	11.6/F			
1-1/4	35	24	0	10	10	7	6	6	4	120	120	2W350-35E-A2-D	2S350-35E-A2-D	6.1/F	11.6/F			
1-1/4	35	24	0	10	10	7	6	6	4	120	120	2W350-35V-A2-D	2S350-35V-A2-D	16.1/F	30.8/F			
1-1/2	40	29	0	10	10	7	6	6	4	80	80	2W400-40-A2-D	2S400-40-A2-D	16.1/F	30.8/F			
1-1/2	40	29	0	10	10	7	6	6	4	120	120	2W400-40E-A2-D	2S400-40E-A2-D	6.1/F	11.6/F			
1-1/2	40	29	0	10	10	7	6	6	4	120	120	2W400-40V-A2-D	2S400-40V-A2-D	20.1/F	-			
2	50	48	0	10	10	7	6	6	4	80	80	2W500-50-A2-D	2S500-50-A2-D	17.1/F	-			
2	50	48	0	10	10	7	6	6	4	120	120	2W500-50E-A2-D	2S500-50E-A2-D	16.1/F	30.8/F			
2	50	48	0	10	10	7	6	6	4	120	120	2W500-50V-A2-D	2S500-50V-A2-D	6.1/F	11.6/F			

*Note: Standard Voltages must be specified when ordering. Other voltages please consult SENYA staff for more details



2-WAY

2/2
SERIES
2W

General Service Solenoid Valves

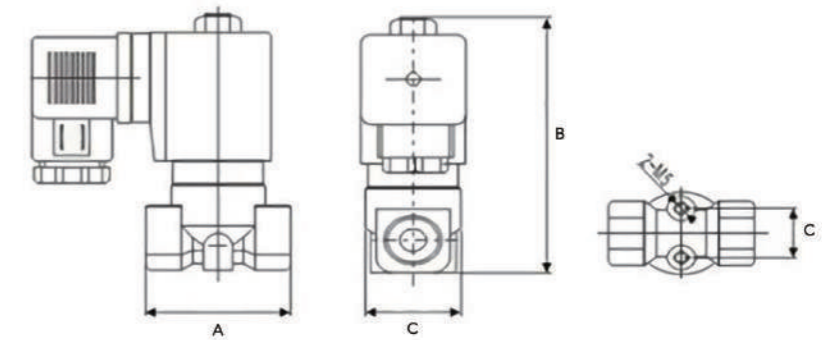
Direct Acting
Brass Bodies
1/8" to 2" BSPP

Dimensions Sheet (mm)

Ref.	A	B	C
1/8	40.5	83.5	26.8
1/4	40.5	83.5	26.8
3/8	69	106	57
1/2	69	106	57
3/4	73	114	57
1	73	114	57
1-1/4	112	150	86.5
1-1/2	123	160	94
2	165	183	123

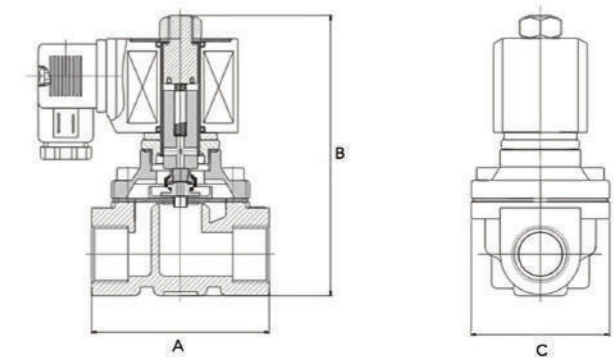
Valve Dimensions (mm)

1/8-3/8"



IMPORTANT: Valves may be mounted in any position, except as noted in specifications table.

1/2-2"





Direct Acting & Pilot Operated
General Service Solenoid Valves
 Brass Bodies
 1/4" to 2" BSPP

2/2
SERIES
SY223

2-WAY

Features

- Lower noise: no water hammer impact and quake
- Working is smooth, and high capacity
- High reliable, long useful life
- Coil: fully cladding by thermosetting plastic; IP65 protection system.

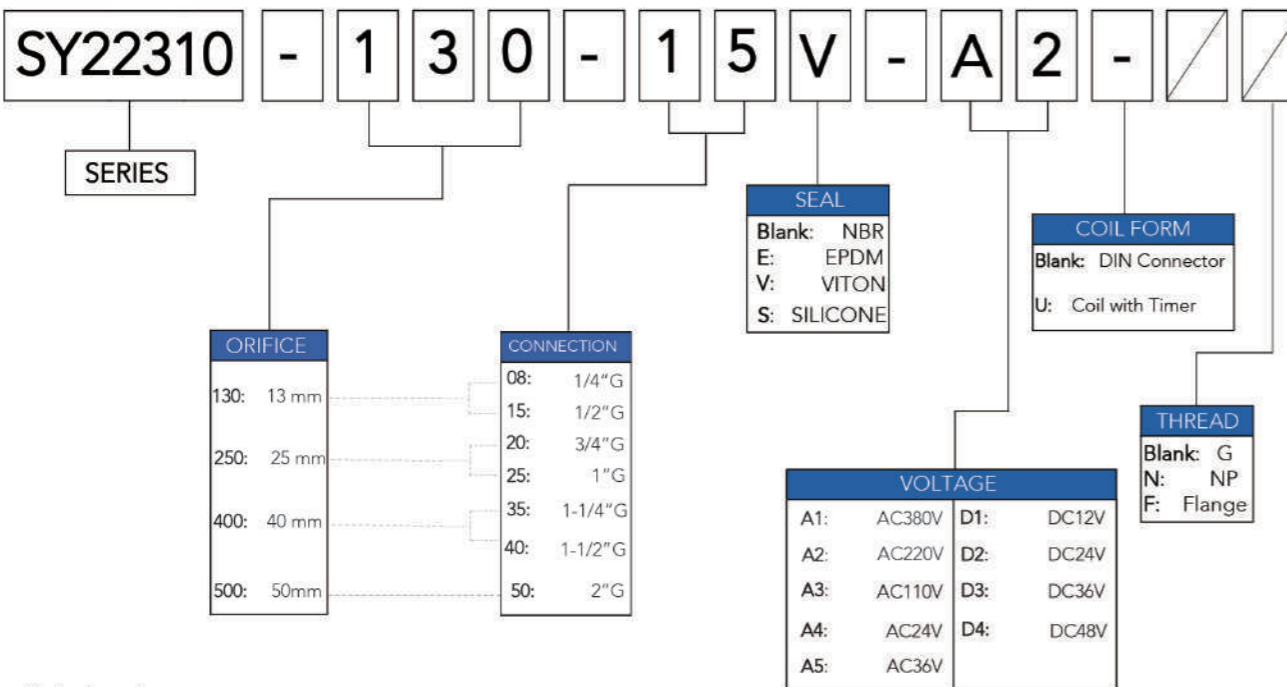


***Note:**
 SY223 series size 1/4" - 1" as Direct Acting, 1-1/4" - 2" size as Pilot Operated

Electrical

Standard Coil	Watt Rating and Power Consumption				Spare Coil Part Number			
	DC Watt	AC			General Purpose		Explosionproof	
		Watt	VA Holdin	VA Inrus	AC	DC	AC	DC
F	13	22	22	40	0545-AC	0545-DC	1680-AC	1680-DC
F	13	22	25	70	0543-AC	0543-DC	1661-AC	1661-DC
F				-	-	-	1381-AC	1381-DC

Ordering Code



Order Example:
 SY223 series pilot operated 2/2 ways solenoid valve, 1/2" port size, SILICONE diaphragm seals, AC220V, DIN connector, BSPP (G) thread.
 SENYA part# SY22310-130-15S-A2



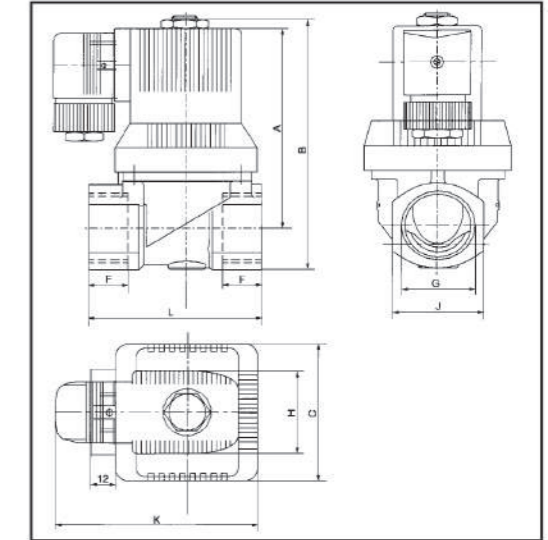
2/2
SERIES
SY223

2-WAY

Direct Acting & Pilot Operated
General Service Solenoid Valves
 Brass Bodies
 1/4" to 2" BSPP

Dimensions Sheet (mm)

Model	G	C	F	L	J	A	B	H	K
SY22310-08	1/4"	45	16	52	27	82	96	40	80
SY22310-15	1/2"	45	16	52	27	82	96	40	80
SY22310-20	3/4"	45	16	63	31	82	96	40	80
SY22310-25	1"	65	18	82	41	96	117	40	90
SY22310-35	1 1/4"	96	20	132	58	112	145	40	132
SY22310-40	1 1/2"	96	20	132	58	112	145	40	132
SY22310-50	2"	111	22	160	70	125	166	40	160



Specifications (Metric units)

Pipe Size (in)	Orifice Size (mm)	CV Flow Factor	Operating Pressure Differential (Bar)						Max. Fluid Temp. °C		Brass Catalog Number	Stainless Steel 304 Catalog Number	Watt Rating/ Class of Coil Insulation		
			Max. AC			Max. DC			AC	DC			AC	DC	
			Min.	Air-Inert Gas	Water	Light Oil less 50 CST	Air-Inert Gas	Water							Light Oil less 50 CST
NORMALLY CLOSED (Closed when de-energized)															
1/8	13	3.3	0.03	10	10	7	6	6	4	80	80	SY22310-130-08-A2	-	6.1/F	11.6/F
1/8	13	3.3	0.03	10	10	-	6	6	-	130	130	SY22310-130-08E-A2	-	10.1/F	11.6/F
1/8	13	3.3	0.03	10	10	7	6	6	4	120	120	SY22310-130-08V-A2	-	6.1/F	11.6/F
1/2	13	4.2	0.03	10	10	7	6	6	4	80	80	SY22310-130-15-A2	-	17.1/F	-
1/2	13	4.2	0.03	10	10	-	6	6	-	130	130	SY22310-130-15E-A2	-	6.1/F	11.6/F
1/2	13	4.2	0.03	10	10	7	6	6	4	120	120	SY22310-130-15V-A2	-	10.1/F	11.6/F
3/4	20	9.69	0.03	10	10	7	6	6	4	80	80	SY22310-250-20-A2	-	17.1/F	11.6/F
3/4	20	9.69	0.03	10	10	-	6	6	-	130	130	SY22310-250-20E-A2	-	6.1/F	11.6/F
3/4	20	9.69	0.03	10	10	7	6	6	4	120	120	SY22310-250-20V-A2	-	17.1/F	-
1	25	12.84	0.03	10	16	7	6	6	4	80	80	SY22310-250-25-A2	-	17.1/F	40.6H
1	25	12.84	0.03	10	10	-	6	6	-	130	130	SY22310-250-25E-A2	-	17.1/F	11.6/F
1	25	12.84	0.03	10	10	7	6	6	4	120	120	SY22310-250-25V-A2	-	6.1/F	11.6/F
1 1/4	40	29.18	0.07	16	16	13	16	16	13	80	80	SY22310-400-35-A2	-	10.1/F	11.6/F
1 1/4	40	29.18	0.07	16	16	-	16	16	-	130	130	SY22310-400-35E-A2	-	6.1/F	11.6/F
1 1/4	40	29.18	0.07	16	16	13	16	16	13	120	120	SY22310-400-35V-A2	-	16.1/F	30.8/F
1 1/2	40	35.01	0.07	16	16	13	16	16	13	80	80	SY22310-400-40-A2	-	16.1/F	30.8/F
1 1/2	40	35.01	0.07	16	16	-	16	16	-	130	130	SY22310-400-40E-A2	-	6.1/F	11.6/F
1 1/2	40	35.01	0.07	16	16	13	16	16	13	120	120	SY22310-400-40V-A2	-	20.1/F	-
2	50	52.52	0.07	16	16	13	16	16	13	80	80	SY22310-500-50-A2	-	17.1/F	-
2	50	52.52	0.07	16	16	-	16	16	-	130	130	SY22310-500-50E-A2	-	16.1/F	30.8/F
2	50	52.52	0.07	16	16	13	16	16	13	120	120	SY22310-500-50V-A2	-	6.1/F	11.6/F

***Note:**
 Standard Voltages must be specified when ordering. Other voltages please consult SENYA staff for more details



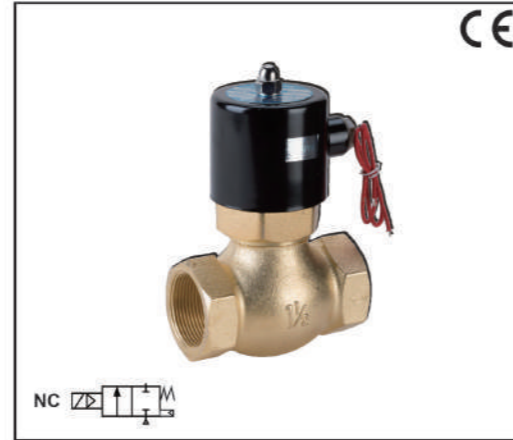
Pilot Operated
Steam Solenoid Valves
Brass Bodies
1/2" to 2" BSPP

2/2
SERIES
US

2-WAY

Features

- Adopt steeple-crowned structure; automatically sealed compensation could extend the useful life of This valve
- Solenoid magnetic field design could reach higher voltage.
- The balance design of piston clearance could reinforce the reliable use of this valve in higher temperature.

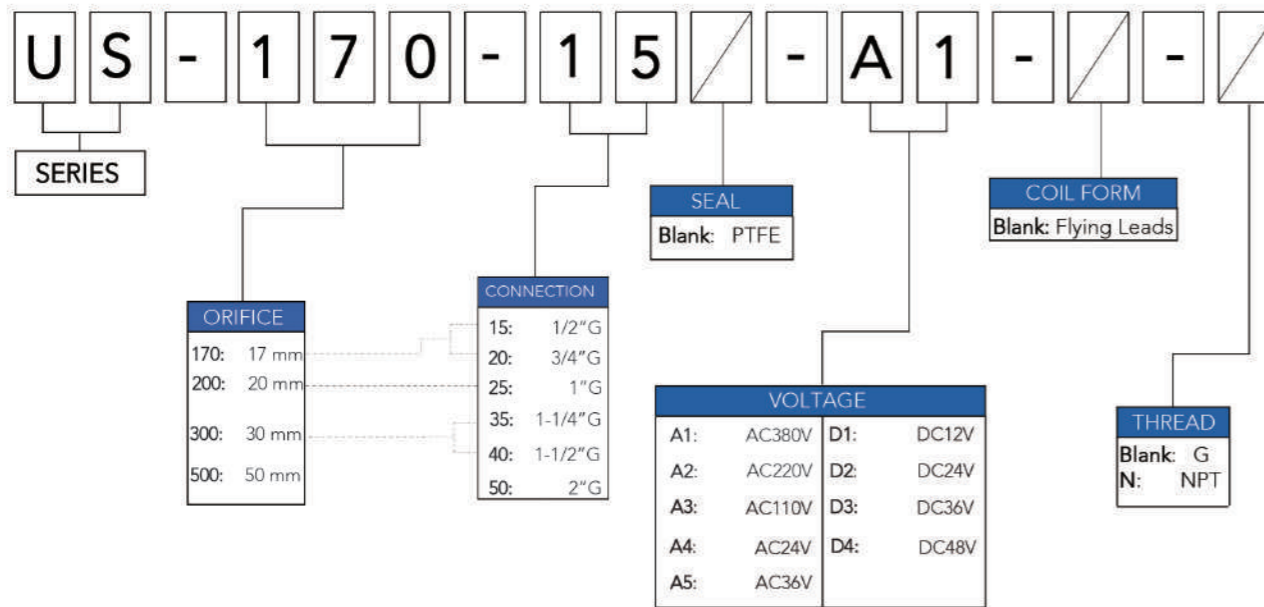


*Note:
US series only has flying leads coil, thermosetting plastic coil is not good for high temperature heat dissipation

Electrical

Standard Coil Class of Insulation	Watt Rating and Power Consumption				Spare Coil Part Number			
	DC Watt	AC			General Purpose		Explosionproof	
		Watt	VA Holdin	VA Inrus	AC	DC	AC	DC
F	24	28	50	78	US-FXD-AC	US-FXD-DC	-	-
F	24	50	75	80	US-HXD-AC	US-HXD-DC	-	-

Ordering Code



Order Example:
US series pilot operated steam 2/2 ways solenoid valve, 1/2" port size, PTFE seals, AC220V, Flying leads coil, BSPP (G) thread.
SENYA part# US170-15-A2

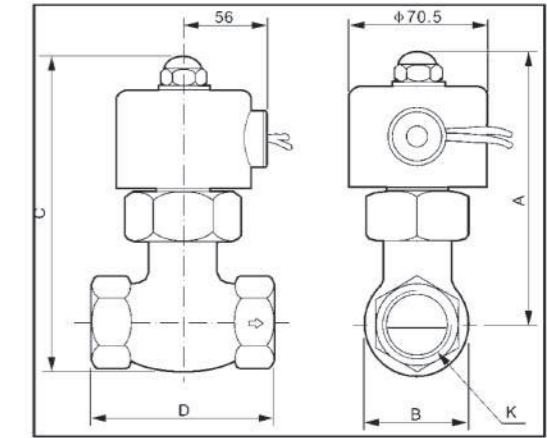


2/2
SERIES
US

Pilot Operated
Steam Solenoid Valves
Brass Bodies
1/2" to 2" BSPP

Dimensions Sheet (mm)

Model	Port size	A	B	C	D
US170-15-A2	1/2"	128	42	145	81
US170-20-A2	3/4"	128	48	148	81
US200-25-A2	1"	130	54	156	91
US300-35-A2	1 1/4"	148	76	185	113
US300-40-A2	1 1/2"	148	76	183	113
US500-50-A2	2"	171	91	216	168



Specifications (Metric units)

Pipe Size (in)	Orifice Size (mm)	CV Flow Factor	Operating Pressure Differential (Bar)						Max. Fluid Temp. °C		Brass Body Catalog Number	Stainless Steel 304 Catalog Number	Watt Rating/ Class of Coil Insulation		
			Min.	Max. AC			Max. DC			AC			DC	AC	DC
				Air-Inert Gas	Water	Light Oil less 50 CST	Air-Inert Gas	Water	Light Oil less 50 CST						
NORMALLY CLOSED (Closed when de-energized)															
1/2	17	4.8	0.1	16	16	10	16	16	10	180	180	US170-15-A2	USB170-15-A2	17.1/F	-
3/4	17	4.8	0.1	16	16	10	16	16	10	180	180	US170-20-A2	USB170-20-A2	-	11.6/F
1	20	12	0.1	16	16	10	16	16	10	180	180	US200-25-A2	USB200-25-A2	17.1/F	40.6H
1 1/4	30	20	0.1	16	16	10	16	16	10	180	180	US300-35-A2	USB300-35-A2	10.1/F	11.6/F
1 1/2	30	20	0.1	16	16	10	16	16	10	180	180	US300-40-A2	USB300-40-A2	16.1/F	30.8/F
2	50	48	0.1	16	16	10	16	16	10	180	180	US500-50-A2	USB500-50-A2	17.1/F	-

*Note:
Standard Voltages must be specified when ordering. Other voltages please consult SENYA staff for more details



High Pressure Solenoid Valves

Direct Acting
Brass Bodies
1/8" to 3/8" BSPP

2/2
SERIES
2WH

2-WAY

Features

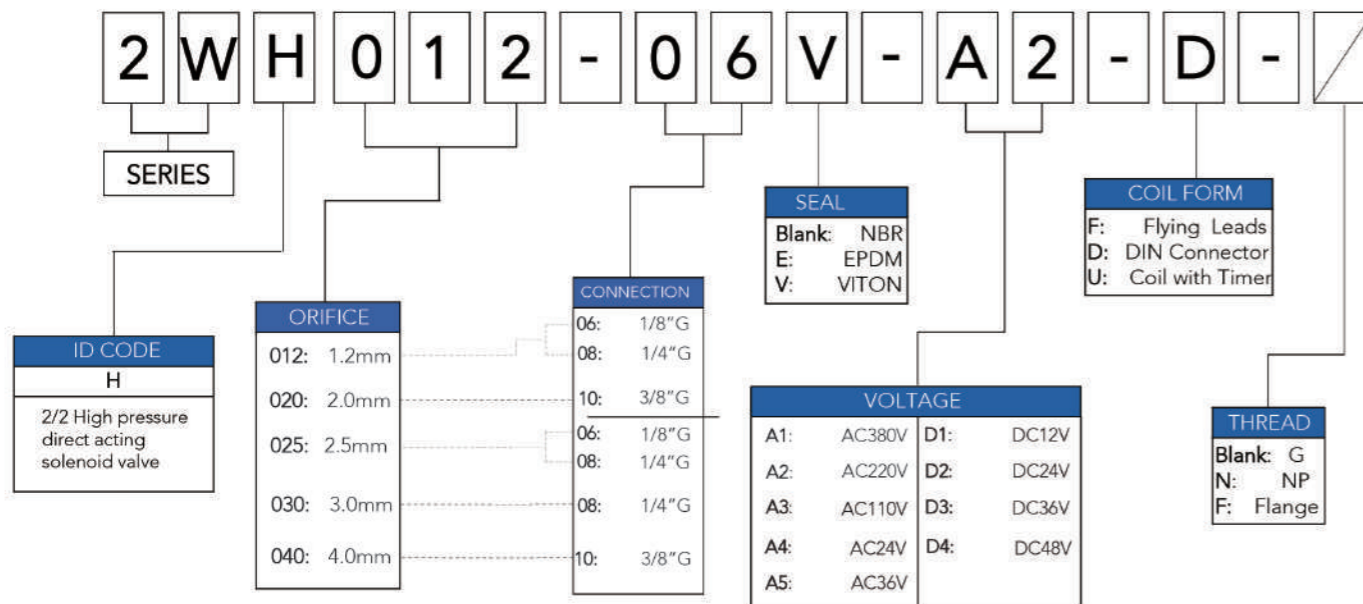
- Zero pressure start, quick reaction time, flow capacity higher than pilot operated type
- Reliable, proven design with high flows
- High pressure design type;
- Compact structure, small size, light weight, convenient disassembly



Electrical

Standard Coil	Watt Rating and Power Consumption				Spare Coil Part Number			
	DC	AC			General Purpose		Explosionproof	
		Watt	Watt	VA Holdin	VA Inrush	AC	DC	AC
F	9	10	20	40	AB310-AC	AB310-DC	1680-AC	1680-DC
F	16	18	38	65	AB410-AC	AB410-DC	1661-AC	1661-DC

Ordering Code



Order Example:
2WH series direct acting 2/2 ways solenoid valve, 1/8" port size, 1.2mm orifice, VITON diaphragm seals, AC220V, DIN connector, BSPP (G) thread.
SENYA part# 2WH012-06V-A2-D



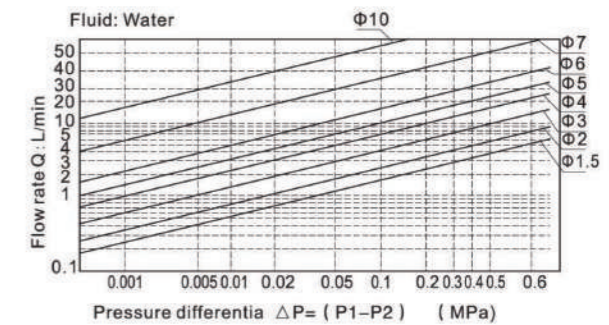
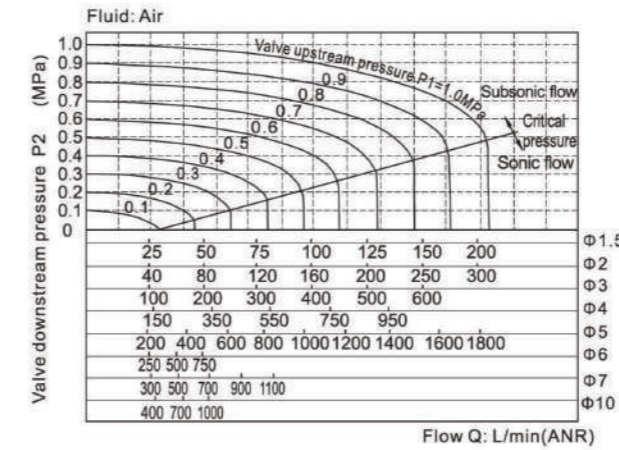
2/2
SERIES
2WH

High Pressure Solenoid Valves

Direct Acting
Brass Bodies
1/8" to 3/8" BSPP

2-WAY

Flow Rate Chart



Model	Port Size	Orifice
2WH025-06	1/8"	2.5mm
2WH025-08	1/4"	2.5mm
2WH030-08	1/4"	3.0mm
2WH040-10	3/8"	4.0mm
2WH012-06	1/8"	1.2mm
2WH012-08	1/4"	1.2mm
2WH020-10	3/8"	2.0mm

Specifications (Metric units)

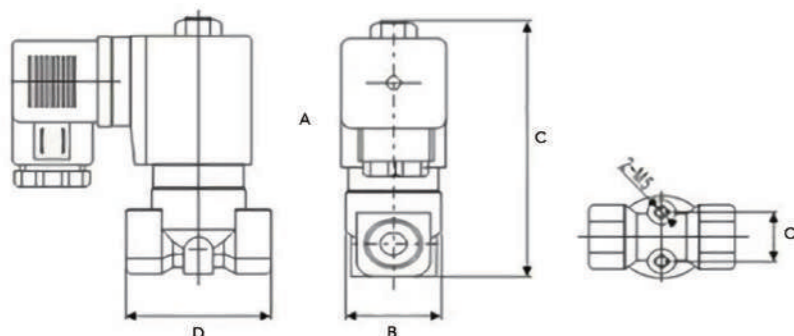
Pipe Size (in)	Orifice Size (mm)	CV Flow Factor	Operating Pressure Differential (Bar)						Max. Fluid Temp. °C		Brass	Stainless Steel 304	Watt Rating/Class of Coil Insulation			
			Max. AC			Max. DC			AC	DC			Catalog Number	Catalog Number	AC	DC
			Min.	Air-Inert Gas	Water	Light Oil less 50 CST	Air-Inert Gas	Water								
NORMALLY CLOSED (Closed when de-energized)																
1/8	1.2	0.05	0	20	20	20	20	20	20	80	80	2WH012-06-A2-D	2SH012-06-A2-D	6.1/F	11.6/F	
1/8	2.5	0.23	0	7	7	-	5	5	-	80	80	2WH025-06-A2-D	2SH025-06-A2-D	10.1/F	11.6/F	
1/4	1.2	0.05	0	20	20	20	20	20	20	80	80	2WH012-08-A2-D	2SH012-08-A2-D	6.1/F	11.6/F	
1/4	2.5	0.23	0	7	7	7	5	5	5	80	80	2WH025-08-A2-D	2SH025-08-A2-D	17.1/F	-	
1/4	3.0	0.33	0	15	15	15	15	15	-	80	80	2WH030-08-A2-D	2SH030-08-A2-D	6.1/F	11.6/F	
3/8	2.0	0.15	0	20	20	20	20	20	20	80	80	2WH020-10-A2-D	2SH020-10-A2-D	10.1/F	11.6/F	
3/8	4	0.6	0	8	8	5	5	5	5	80	80	2WH040-10-A2-D	2SH040-10-A2-D	17.1/F	-	

*Note:
Standard Voltages must be specified when ordering. Other voltages please consult SENYA staff for more details

Dimensions Sheet (mm)

Valve Dimensions (mm)

1/8-3/8"



Model	Port Size	A	B	C	D
2WH012-06-A2-D	1/8"	66	30.3	80	40.5
2WH025-06-A2-D	1/8"	66	30.3	80	41.5
2WH012-08-A2-D	1/4"	66	30.3	80	40.5
2WH025-08-A2-D	1/4"	66	30.3	80	41.5
2WH030-08-A2-D	1/4"	59	24	75	40
2WH020-10-A2-D	3/8"	74	32.5	92	53
2WH040-10-A2-D	3/8"	74	32.5	92	53

IMPORTANT: Valves may be mounted in any position, except as noted in specifications table.

Features

- 2V025 series:
 1. Direct acting and normally closed type 2/2 way solenoid valve. Its high sensitivity allows it to change direction quickly
 2. The structure is small and compact, and valve body is made of brass which is heat resistance and the coil conforms to Class B classification.
- 2V130 and 250 series:
 1. This 2/2 way diaphragm piloted solenoid valve has low energy consumption and large air flow.
 2. The starting pressure is low and the operational differential pressures < 0.05MPa.
 3. The valve body is made of brass which is heat resistance and the coil conforms to Class B classification. The seals are made of NBR.

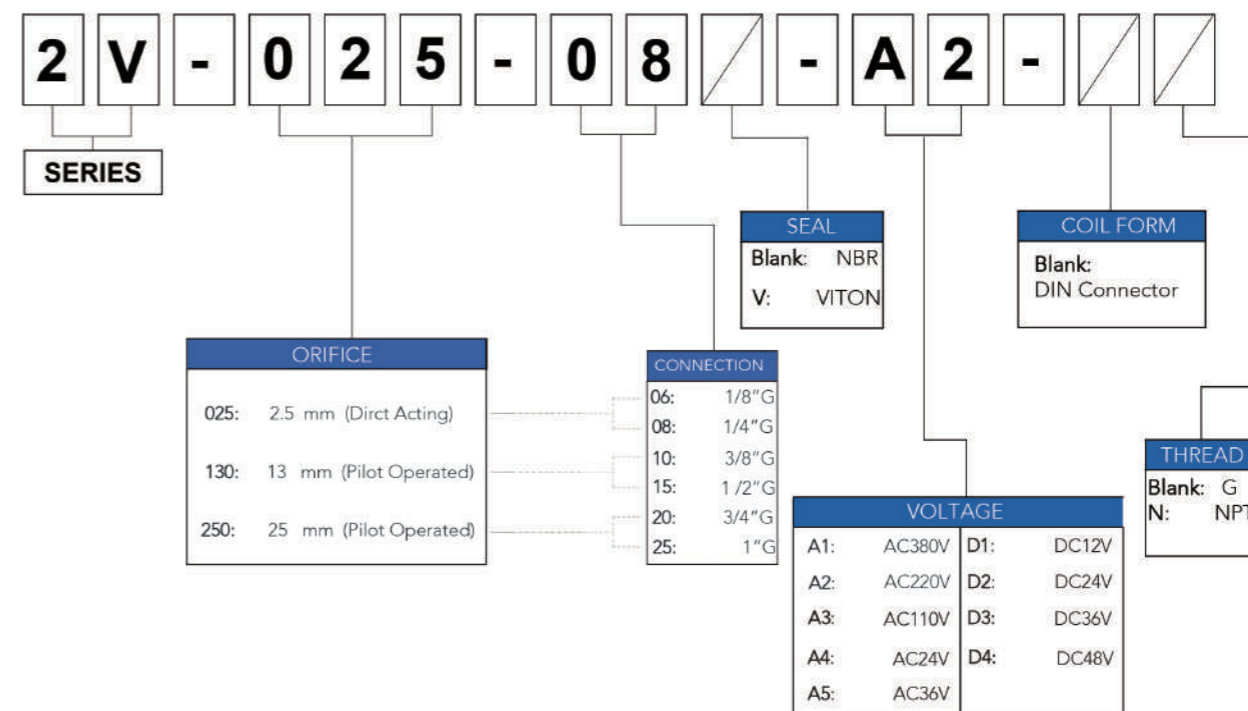


*Note:
2V025 series as Direct Acting, 2V130, 2V250 series as Pilot Operated

Electrical

Standard Coil	Watt Rating and Power Consumption				Spare Coil Part Number			
	DC Watt	AC			General Purpose		Explosionproof	
		Watt	VA Holdin	VA Inrus	AC	DC	AC	DC
F	7	5.5	15	22	2V-HXD-AC220V	2V-HXD-DC24V	-	-
F	4.8	-	-	-	2V-HXD-AC24V	-	-	-

Ordering Code



Order Example:
2V series pilot operated 2/2 ways solenoid valve, 1/2" port size, VITON seals, AC220V, DIN connector, BSPP (G) thread.
SENYA part# 2V130-15V-AC220V

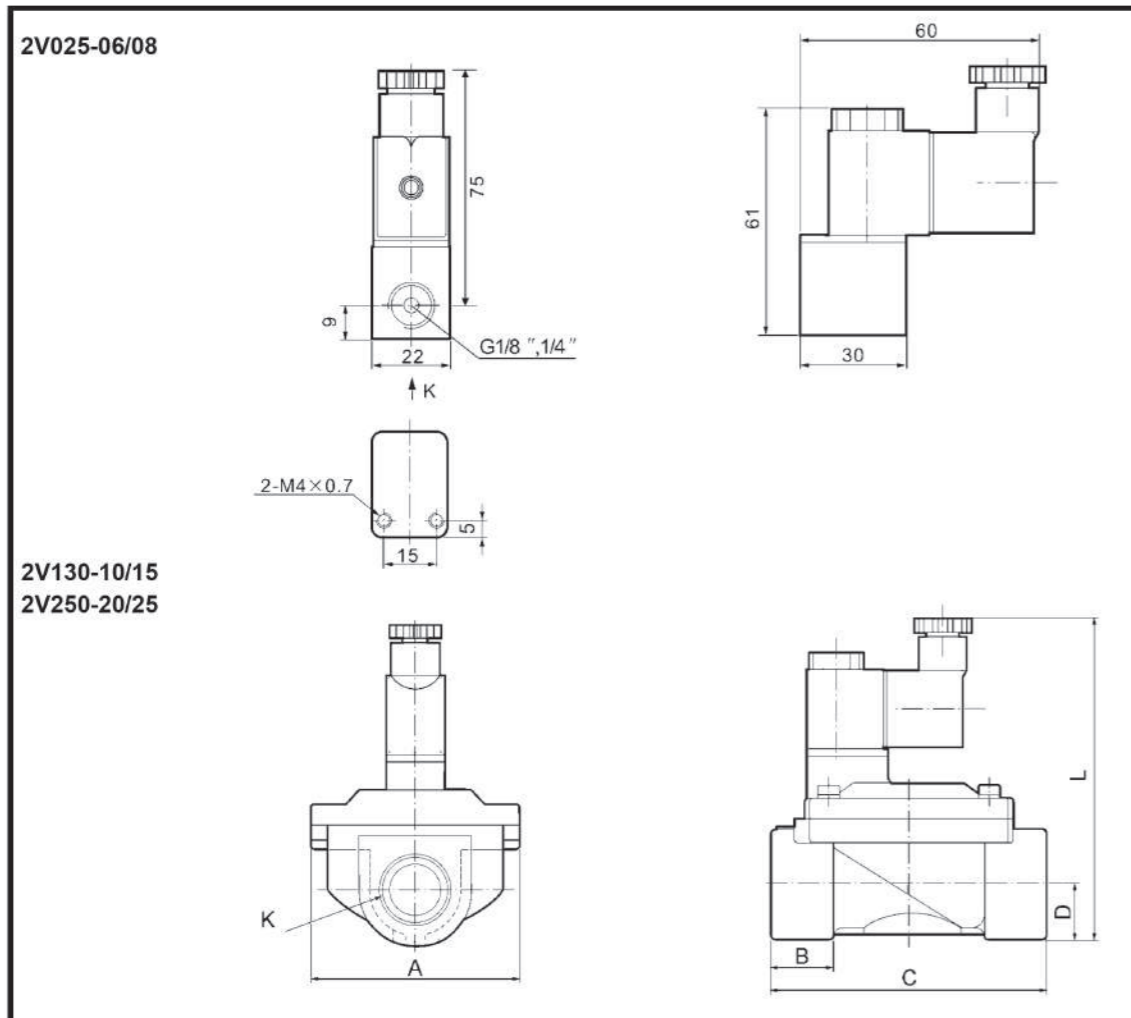


Direct Acting & Pilot Operated
General Service Solenoid Valves
 Brass Bodies
 1/8" to 1" BSPP

2/2
SERIES
2V

2-WAY

Dimensions Sheet (mm)



Model	Port Size (K)	A	B	C	D	L
2V130-10-A2	3/8	48	16	66	13	101
2V130-15-A2	1/2	48	16	66	13	101
2V250-20-A2	3/4	78	25	102	20	118
2V250-25-A2	1	78	25	102	20	118

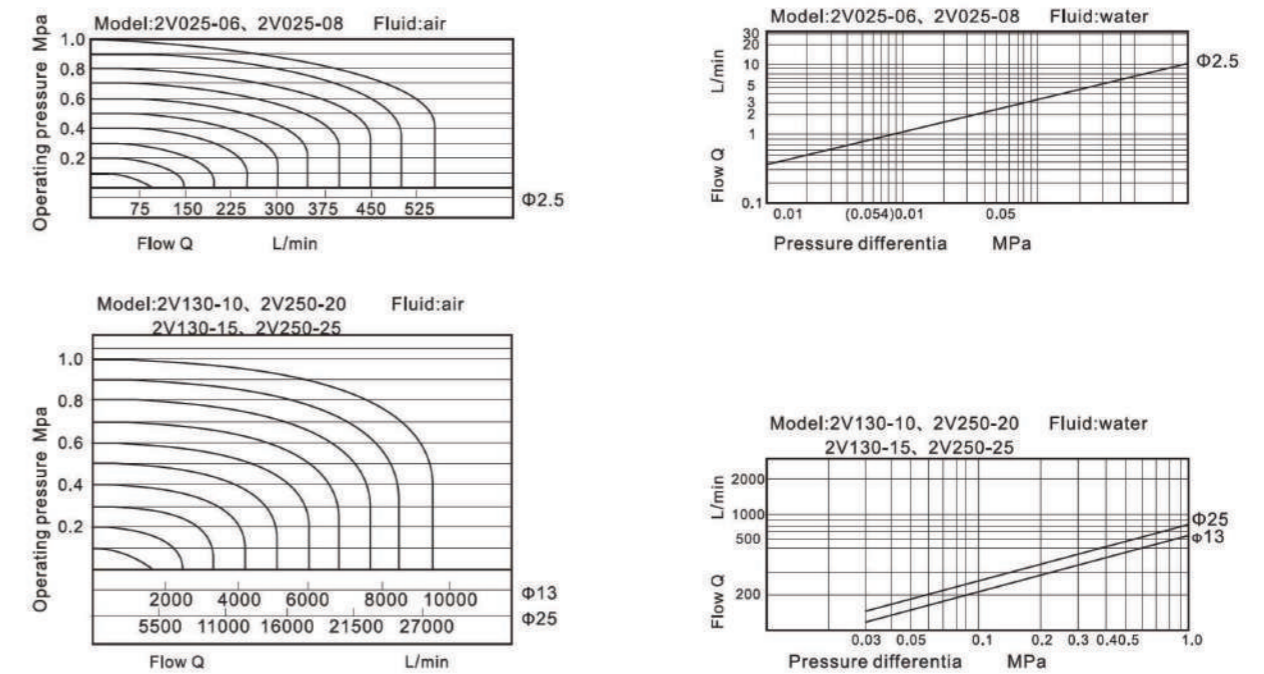
2-WAY

2/2
SERIES
2V

Direct Acting & Pilot Operated
General Service Solenoid Valves
 Brass Bodies
 1/8" to 1" BSPP



Io Chart



Specifications (Metric units)

Pipe Size (in)	Orifice Size (mm)	CV Flow Factor	Operating Pressure Differential (Bar)						Max. Fluid Temp. °C		Brass Body Catalog Number	Stainless Steel 304 Catalog Number	Watt Rating/ Class of Coil Insulation		
			Max. AC			Max. DC			AC	DC			AC	DC	
			Min.	Air-Inert Gas	Water	Light Oil less 50 CST	Air-Inert Gas	Water							Light Oil less 50 CST
NORMALLY CLOSED (Closed when de-energized)															
1/8	2.5	0.23	0	10	10	7	10	10	5	80	80	2V025-06-A2	-	6.1/F	11.6/F
1/4	2.5	0.25	0	10	10	7	10	10	5	80	80	2V025-08-A2	-	10.1/F	11.6/F
3/8	13	6.20	0.5	10	10	7	10	10	5	80	80	2V130-10-A2	-	6.1/F	11.6/F
1/2	13	6.20	0.5	10	10	7	10	10	5	80	80	2V130-15-A2	-	17.1/F	-
3/4	25	13.0	0.5	10	10	7	10	10	5	80	80	2V250-20-A2	-	6.1/F	11.6/F
1	25	13.0	0.5	10	10	7	10	10	5	80	80	2V250-25-A2	-	10.1/F	11.6/F

***Note:**
 Standard Voltages must be specified when ordering. Other voltages please consult SENYA staff for more details



Pilot Operated High Pressure Solenoid Valves

Brass Bodies
1/2" to 1" BSPP

2/2
SERIES
5404

2-WAY

Features

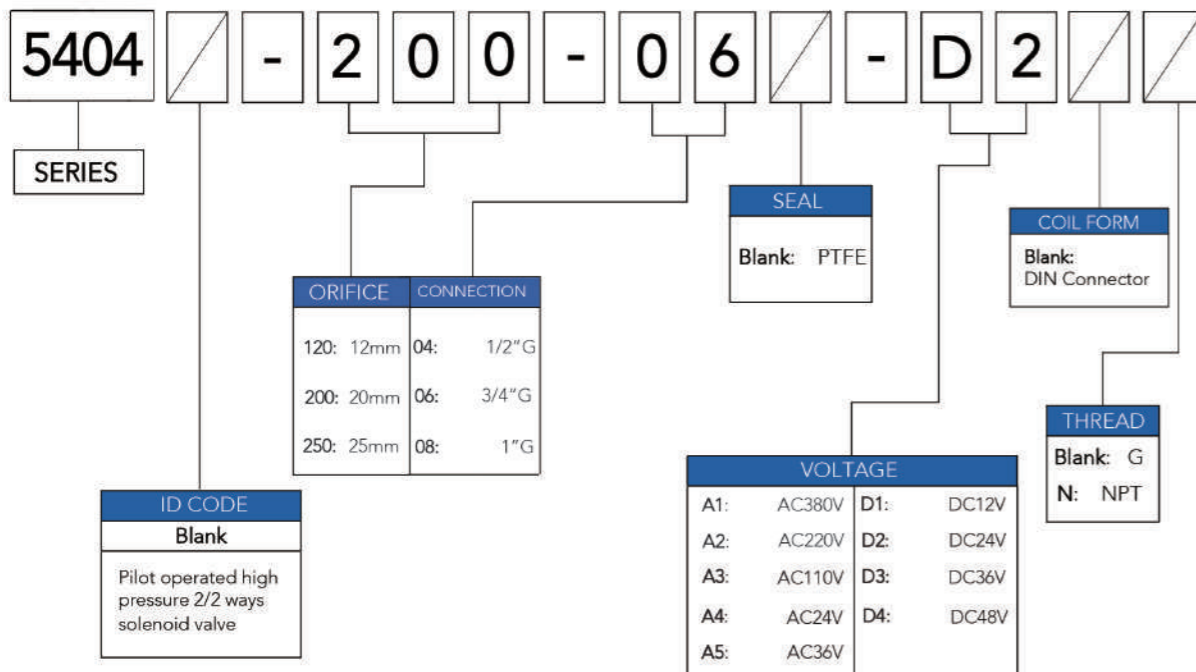
- Servo-assisted piston valve with an orifice up to DN25
- Suitable for gas and steam applications up to 150 °C
- The balance design of piston clearance could reinforce the reliable use of this valve in higher temperature, and could use as relief valves for compressors



Electrical

Standard Coil	Watt Rating and Power Consumption				Spare Coil Part Number			
	DC Watt	AC			General Purpose		Explosionproof	
		Watt	VA Holdin	VA Inrus	AC	DC	AC	DC
F	13	16	35	53	BD-A-AC	BD-A-DC	-	-
F	13	16	35	53	BD-A-3-AC	BD-A-3-DC	-	-

Ordering Code



Order Example:
5404 series pilot operated high pressure 2/2 ways solenoid valve, 3/4" port size, PTFE seals, DC24V, DIN connector coil, BSPP (G) thread.
SENYA part#5404-200-06-D2



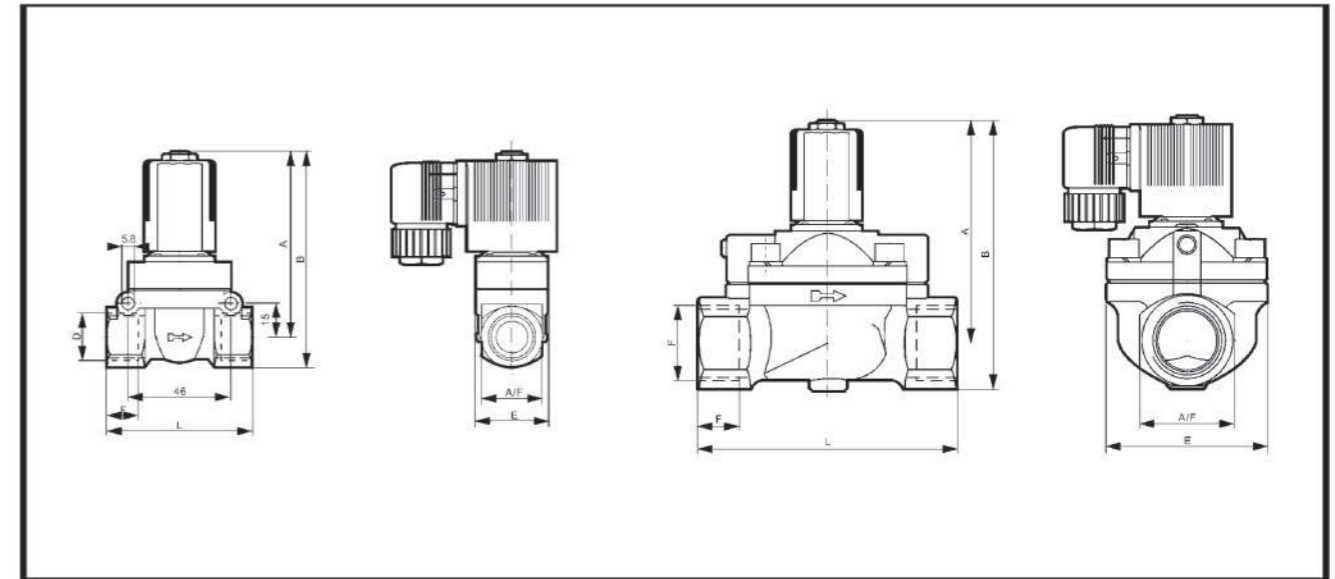
2/2
SERIES
5404

2-WAY

Pilot Operated General Service Solenoid Valve

Brass Bodies
1/4" to 2" BSPP

Dimensions Sheet (mm)



Model	Port size	Orifice	A	B	F	E	L	A/F
SY5404-120-04	1/2"	12.0	84	98	13	32	63.5	28
SY5404-150-04B	1/2"	15.0	75	89	13	32	63.5	28
SY5404-200-06	3/4"	20.0	125	125	16	60	91	41
SY5404-250-08	1"	25.0	125	125	16	60	91	41

*Note:
SY5404-120-04B as a compact size which is special in dimensions

Specifications (Metric units)

Pipe Size (in)	Orifice Size (mm)	CV Flow Factor	Operating Pressure Differential (Bar)						Max. Fluid Temp. °C		Brass Catalog Number	Stainless Steel 304 Catalog Number	Watt Rating/ Class of Coil Insulatic		
			Max. AC			Max. DC			AC	DC			AC	DC	
			Min.	Air-Inert Gas	Water	Light Oil less 50 CST	Air-Inert Gas	Water							Light Oil less 50 CST
NORMALLY CLOSED (Closed when de-energized)															
1/2	12	2.0	1	50	50	50	50	50	50	150	150	SY5404-120-04-A2	-	17.1/F	-
3/4	20	5.0	1	30	25	25	30	25	25	150	150	SY5404-200-06-A2	-	-	11.6/F
1	25	10.0	1	30	25	25	30	25	25	150	150	SY5404-250-08-A2	-	17.1/F	40.6H

*Note:
Standard Voltages must be specified when ordering. Other voltages please consult SENYA staff for more details



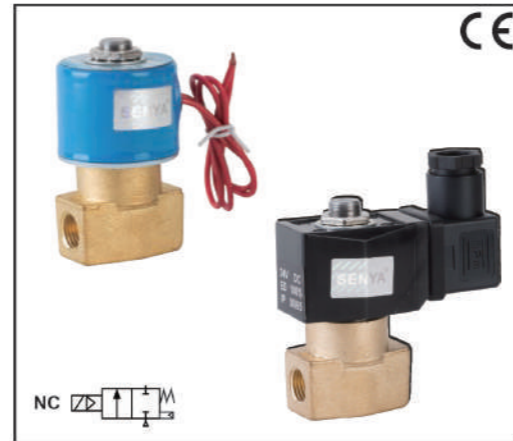
Direct Acting **2/2 & 3/2**
General Service Solenoid Valves
 Brass Bodies
 1/4" & 3/8" BSPP

SERIES KSD

2-WAY

Features

- Brass DC drive solenoid valve series suitable for natural gas and liquid, such as compressed air, natural gas, water, hydraulic pressure oil and vacuum technique.
- The product structure has the below feature. DC form, compact structure, high-quality viton sealed.



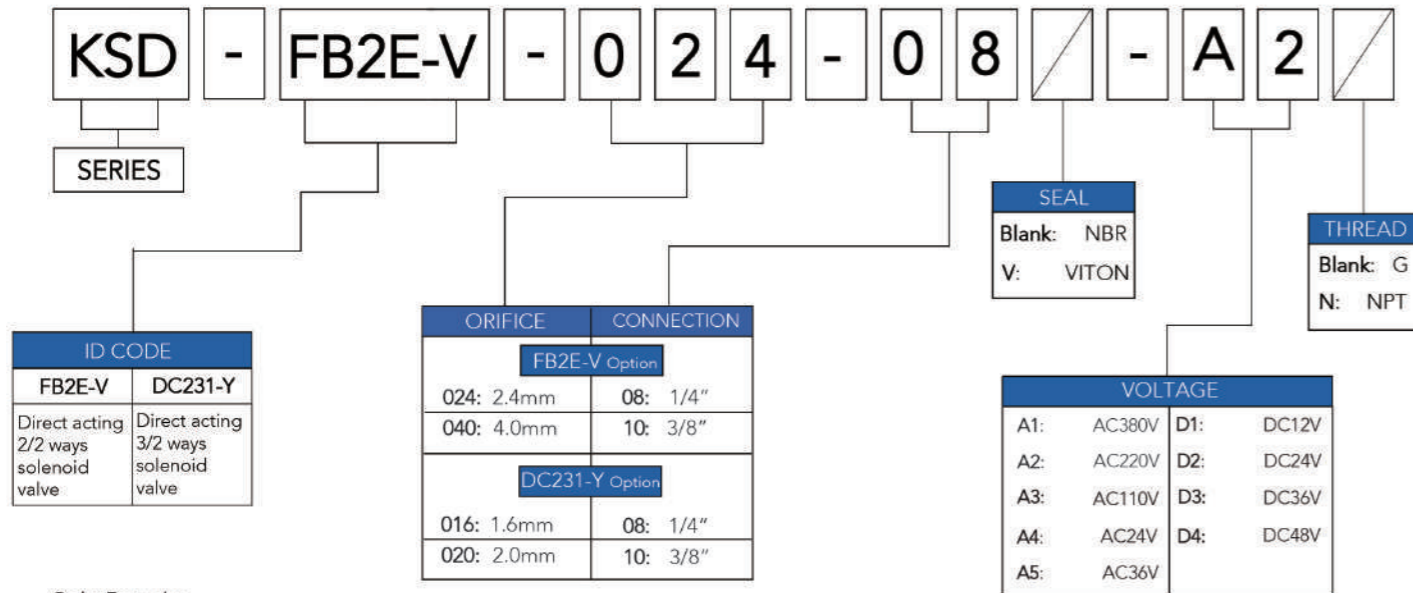
KSD Series 2/2 Way Solenoid Valve

Model	Orifice Size (mm)	CV Value	Port Connection	Working Pressure (Bar)			Power
				Min.	Max.-AC	Max.-DC	
KSD-FB2E-V-08	2.4	0.21	1/4" G	0	20	10	10W
	4.0	0.43	1/4" G	0	9	6	
KSD-FB2E-V-10	5.0	0.50	3/8" G	0	6	3	

KSD Series 3/2 Way Solenoid Valve

Model	Orifice Size (mm)		Port Connection	Pressure Range	Standard Voltage	Power
	Top Port	Body Port				
KSD-DC231-Y-08	2.3	1.6	G1/4", G3/8"	0-0.9 MPa (0-130 Psi)	AC: 380C, 220V, 36V	10W
KSD-DC231-Y-10	2.3	2.0			DC: 220V, 24V	

Ordering Code



Order Example:
 KSD series direct acting 3/2 ways solenoid valve, 1/4" port size, NBR seals, 1.6 orifice size AC220V, DIN connector coil, BSPP (G) thread.
 SENYA part#KSD-DC231-Y-016-08-AC220V

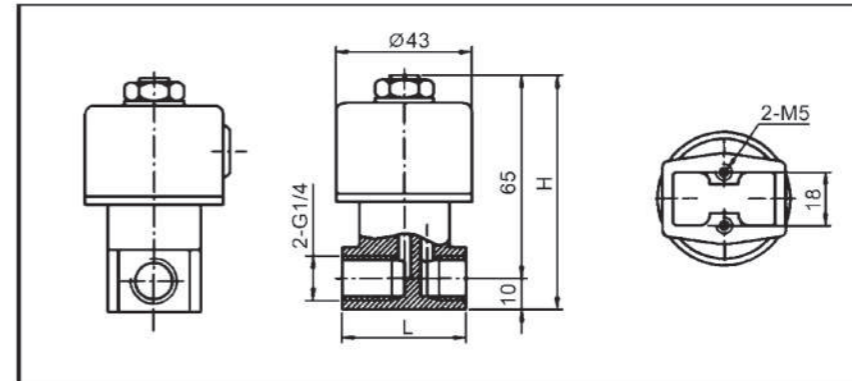
Direct Acting **2/2 & 3/2**
General Service Solenoid Valves
 Brass Bodies
 1/4" & 3/8" BSPP

2-WAY

SERIES KSD



Dimensions Sheet (mm)



Model	Port size	L	H
KSD-FB2E-V-024-08-A2	1/4"	40	75
KSD-DC231-Y-040-08-A2	1/4"	41	95
KSD-FB2E-V-040-10-A2	3/8"	40	75
KSD-DC231-Y-020-10-A2	3/8"	41	95

Specifications (Metric units)

Pipe Size (in)	Orifice Size (mm)	CV Flow Factor	Operating Pressure Differential (Bar)						Max. Fluid Temp. °C		Brass Body	Stainless Steel 304	Watt Rating/ Class of Coil Insulatic			
			Max. AC			Max. DC			AC	DC			Catalog Number	Catalog Number	AC	DC
			Min.	Air-Inert Gas	Water	Light Oil less 50 CST	Air-Inert Gas	Water								
NORMALLY CLOSED (Closed when de-energized)																
1/4	2.4	0.21	0	10	10	5	20	20	10	50	50	KSD-FB2E-V-024-08-A2	-	17.1/F	-	
1/4	4.0	0.43	0	9	9	4	6	6	4	50	50	KSD-DC231-Y-040-08-A2	-	-	11.6/F	
3/8	1.6	0.21	0	7	7	4	7	4	7	50	50	KSD-FB2E-V-040-10-A2	-	17.1/F	40.6H	
3/8	2.0	0.21	0	7	7	4	7	4	7	50	50	KSD-DC231-Y-020-10-A2	-	17.1/F	-	

***Note:**
 Standard Voltages must be specified when ordering. Other voltages please consult SENYA staff for more details



General Service Solenoid Valves

Direct Acting
Brass Bodies
1/8" to 2" BSPP

2/2
SERIES
2WK

2-WAY

Features

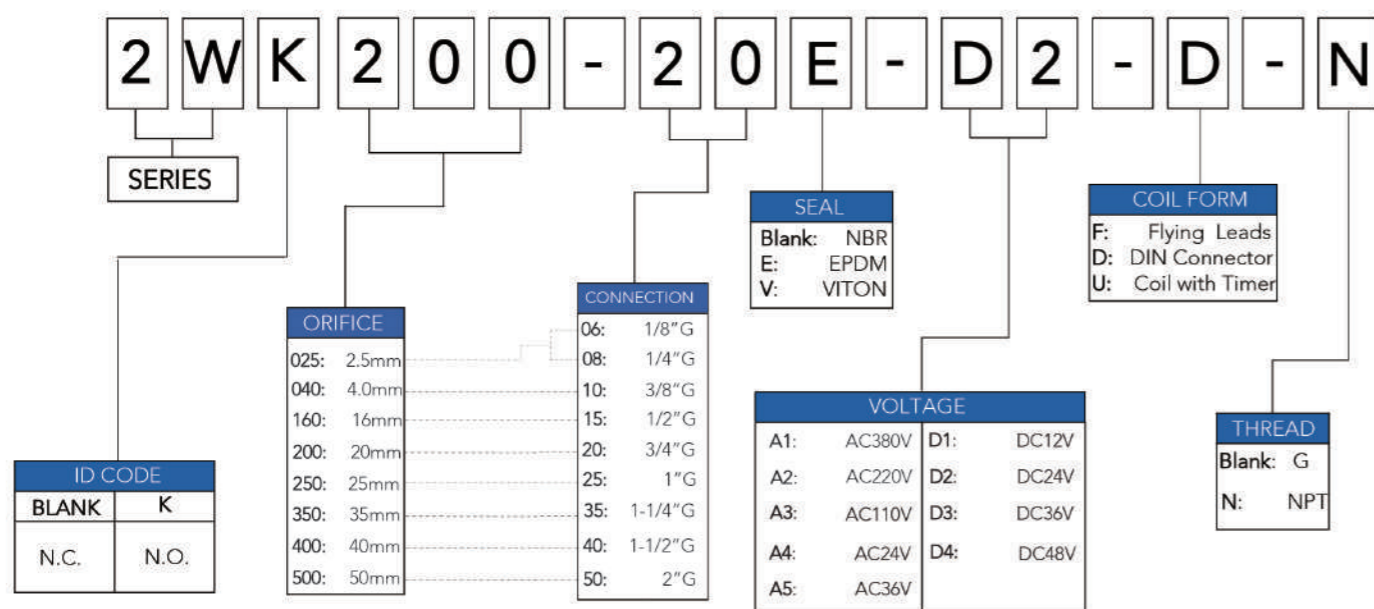
- Special design for long opening, it can extend product life cycle as default opening status
- Reliable, proven design with high flows
- Direct acting design, it has strong resistance to impurities in the medium



Electrical

Standard Coil	Watt Rating and Power Consumption				Spare Coil Part Number			
	DC Watt	AC			General Purpose		Explosionproof	
		Watt	VA Holdin	VA Inrus	AC	DC	AC	DC
H/F	13	22	22	40	AB310-AC	AB310-DC	1680-AC	1680-DC
H/F	16	18	22	65	AB410-AC	AB410-DC	1661-AC	1661-DC
H/F	13	22	35	180	-	-	1381-AC	1381-DC

Ordering Code



Order Example:
2W series N.O. direct acting 2/2 ways solenoid valve, 2" port size, EPDM diaphragm seals, DC24V, Flying leads, NPT thread.
SENYA part# 2WK500-50E-D2-F-N

2-WAY

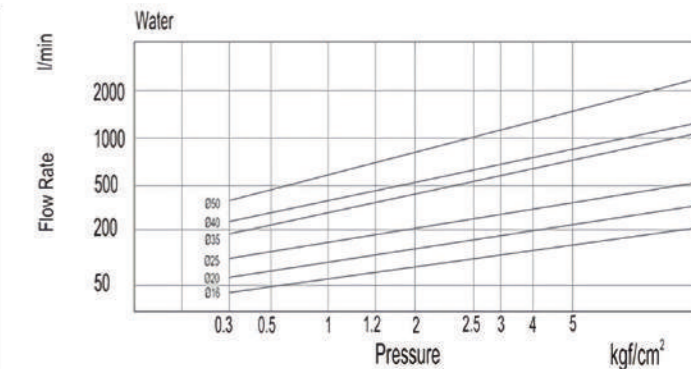
2/2
SERIES
2WK

Direct Acting
General Service Solenoid Valves
Brass Bodies
1/8" to 2" BSPP



Orifice

Model	Port Size	Orifice
2WK160-15-A2-D	1/2"	16mm
2WK200-20-A2-D	3/4"	20mm
2WK250-25-A2-D	1"	25mm
2WK350-35-A2-D	1-1/4"	35mm
2WK400-40-A2-D	1-1/2"	40mm
2WK500-50-A2-D	2"	50mm



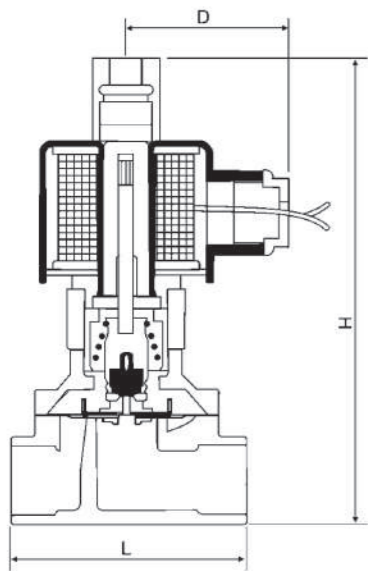
Specifications (Metric units)

Pipe Size (in)	Orifice Size (mm)	CV Flow Factor	Operating Pressure Differential (Bar)						Max. Fluid Temp. °C		Brass Catalog Number	Stainless Steel 304 Catalog Number	Watt Rating/Class of Coil Insulation			
			Max. AC			Max. DC			AC	DC			AC	DC		
			Min.	Air-Inert Gas	Water	Air-Inert Gas	Water	Light Oil less 50 CST								
NORMALLY CLOSED (Closed when de-energized)																
1/8	2.5	0.23	0	7	7	7	5	5	5	80	80	2WK025-06-A2-D	2SK025-06-A2-D	6.1/F	11.6/F	
1/8	2.5	0.23	0	7	7	7	5	5	5	120	120	2WK025-06E-A2-D	2SK025-06E-A2-D	10.1/F	11.6/F	
1/8	2.5	0.23	0	7	7	7	5	5	5	120	120	2WK025-06V-A2-D	2SK025-06V-A2-D	6.1/F	11.6/F	
1/4	2.5	0.23	0	7	7	7	5	5	5	80	80	2WK025-08-A2-D	2SK025-08-A2-D	17.1/F	-	
1/4	2.5	0.23	0	7	7	7	5	5	5	120	120	2WK025-08E-A2-D	2SK025-08E-A2-D	6.1/F	11.6/F	
1/4	2.5	0.23	0	7	7	7	5	5	5	120	120	2WK025-08V-A2-D	2SK025-08V-A2-D	10.1/F	11.6/F	
3/8	4	0.6	0	8	8	8	5	5	5	80	80	2WK040-10-A2-D	2SK040-10-A2-D	17.1/F	11.6/F	
3/8	4	0.6	0	8	8	8	5	5	5	120	120	2WK040-10E-A2-D	2SK040-10E-A2-D	6.1/F	11.6/F	
3/8	4	0.6	0	8	8	8	5	5	5	120	120	2WK040-10V-A2-D	2SK040-10V-A2-D	17.1/F	-	
1/2	16	4.8	0	10	10	10	7	6	6	4	80	80	2WK160-15-A2-D	2SK160-15-A2-D	17.1/F	40.6H
1/2	16	4.8	0	10	10	10	7	6	6	4	120	120	2WK160-15E-A2-D	2SK160-15E-A2-D	17.1/F	11.6/F
1/2	16	4.8	0	10	10	10	7	6	6	4	120	120	2WK160-15V-A2-D	2SK160-15V-A2-D	6.1/F	11.6/F
3/4	20	7.6	0	10	10	10	7	6	6	4	80	80	2WK200-20-A2-D	2SK200-20-A2-D	10.1/F	11.6/F
3/4	20	7.6	0	10	10	10	7	6	6	4	120	120	2WK200-20E-A2-D	2SK200-20E-A2-D	6.1/F	11.6/F
3/4	20	7.6	0	10	10	10	7	6	6	4	120	120	2WK200-20V-A2-D	2SK200-20V-A2-D	16.1/F	30.8/F
1	25	12	0	10	10	10	7	6	6	4	80	80	2WK250-25-A2-D	2SK250-25-A2-D	16.1/F	30.8/F
1	25	12	0	10	10	10	7	6	6	4	120	120	2WK250-25E-A2-D	2SK250-25E-A2-D	6.1/F	11.6/F
1	25	12	0	10	10	10	7	6	6	4	120	120	2WK250-25V-A2-D	2SK250-25V-A2-D	20.1/F	-
1-1/4	35	24	0	10	10	10	7	6	6	4	80	80	2WK350-35-A2-D	2SK350-35-A2-D	10.1/F	11.6/F
1-1/4	35	24	0	10	10	10	7	6	6	4	120	120	2WK350-35E-A2-D	2SK350-35E-A2-D	6.1/F	11.6/F
1-1/4	35	24	0	10	10	10	7	6	6	4	120	120	2WK350-35V-A2-D	2SK350-35V-A2-D	16.1/F	30.8/F
1-1/2	40	29	0	10	10	10	7	6	6	4	80	80	2WK400-40-A2-D	2SK400-40-A2-D	16.1/F	30.8/F
1-1/2	40	29	0	10	10	10	7	6	6	4	120	120	2WK400-40E-A2-D	2SK400-40E-A2-D	6.1/F	11.6/F
1-1/2	40	29	0	10	10	10	7	6	6	4	120	120	2WK400-40V-A2-D	2SK400-40V-A2-D	20.1/F	-
2	50	48	0	10	10	10	7	6	6	4	80	80	2WK500-50-A2-D	2SK500-50-A2-D	17.1/F	-
2	50	48	0	10	10	10	7	6	6	4	120	120	2WK500-50E-A2-D	2SK500-50E-A2-D	16.1/F	30.8/F
2	50	48	0	10	10	10	7	6	6	4	120	120	2WK500-50V-A2-D	2SK500-50V-A2-D	6.1/F	11.6/F

*Note:
Standard Voltages must be specified when ordering. Other voltages please consult SENYA staff for more details

Dimensions Sheet (mm)

Valve Dimensions (mm)

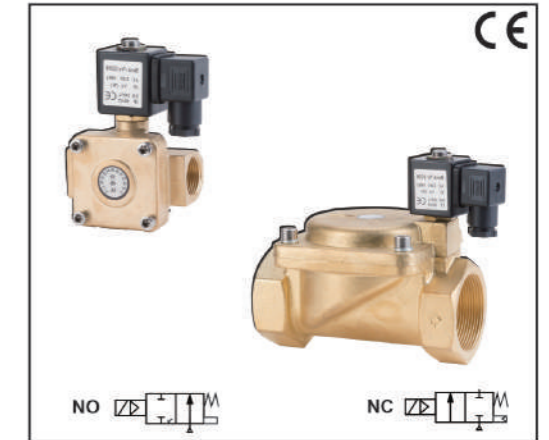


Model	Port Size	H	L	D
2WK025-08-A2-D	1/8	48	100	62
2WK040-10-A2-D	1/4	53	105	62
2WK160-10-A2-D	3/8	66	126	62
2WK160-15-A2-D	1/2	66	126	62
2WK200-20-A2-D	3/4	70	130	62
2WK250-25-A2-D	1	92	139	62
2WK350-35-A2-D	1-1/4	112	186	62
2WK400-40-A2-D	1-1/2	123	197	62
2WK500-50-A2-D	2	168	225	62

IMPORTANT: Valves may be mounted in any position, except as noted in specifications table.

Features

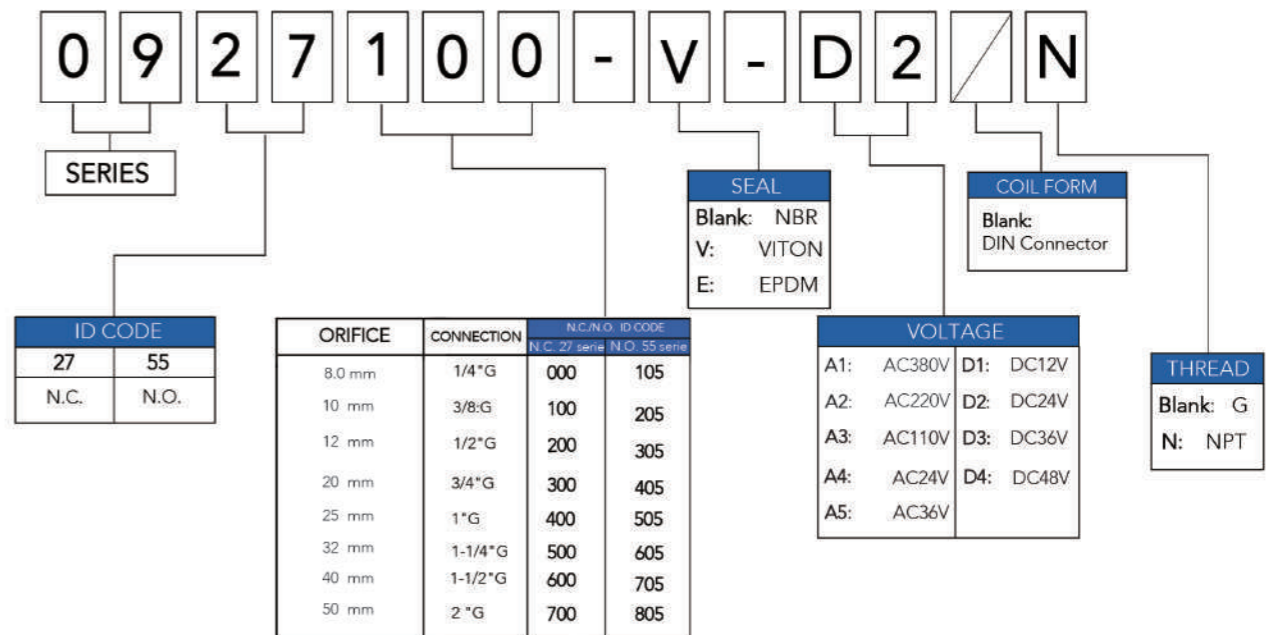
- Solenoid pilot valve control, structure is simple and compact.
- Flowing direction should consistent with sign on valve.
- Random installation site.
- Piloted solenoid valve coil could be interchanged. It could replace 0201 solenoid head as 0270, 0271, it's EXm I/II T4 explosion-proof valve.



Electrical

Standard Coil	Watt Rating and Power Consumption				Spare Coil Part Number			
	DC Watt	AC			General Purpose		Explosionproof	
		Watt	VA Holdin	VA Inrus	AC	DC	AC	DC
F	13	16	35	53	0927-0201-AC	0927-0201-AC	XHD-1661-AC	XHD-0981-AC
F	13	16	35	53	0927-0270-AC	0927-0270-AC	XHD-1661-DC	XHD-0981-DC

Ordering Code



Order Example:
 0955 series N.O. 2/2 ways solenoid valve, 3/4" port size, VITON seals, DC24V, DIN connector coil, BSPP (G) thread.
 SENYA part#0955300-D2



Pilot Operated
General Service Solenoid Valve
 Brass Bodies
 1/4" to 2" BSPP

2/2
SERIES
0927/55

2-WAY

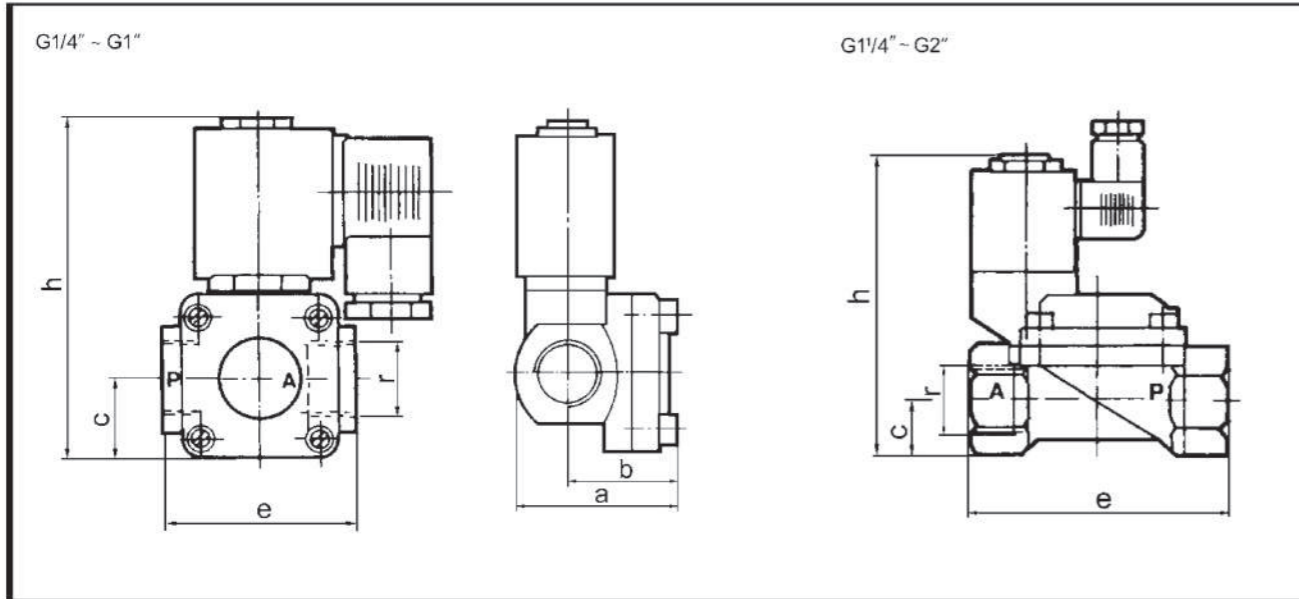


Pilot Operated
General Service Solenoid Valve
 Brass Bodies
 1/4" to 2" BSPP

2/2
SERIES
0927/55

2-WAY

Dimensions Sheet (mm)



Model	Port size (r)	Working Type	Orifice	A	B	C	H
0927000	1/4"	N.C.	8 mm	45	31.5	22	97
0927100	3/8"	N.C.	10 mm	45	31.5	22	97
0927200	1/2"	N.C.	12 mm	45	31.5	22	97
0927300	3/4"	N.C.	20 mm	65	44	30	113
0927400	1"	N.C.	25 mm	65	44	30	113
0927500	1-1/4"	N.C.	32 mm	95	47	31	136
0927600	1-1/2"	N.C.	40 mm	95	47	31	136
0927700	2"	N.C.	50 mm	112	55	39.5	155
0955105	1/4"	N.O.	8 mm	45	31.5	22	114
0955205	3/8"	N.O.	10 mm	45	31.5	22	114
0955305	1/2"	N.O.	12 mm	45	31.5	22	114
0955405	3/4"	N.O.	20 mm	65	44	30	130
0955505	1"	N.O.	25 mm	65	44	30	130
0955605	1-1/4"	N.O.	32 mm	95	47	31	153
0955705	1-1/2"	N.O.	40 mm	95	47	31	153
0955805	2"	N.O.	50 mm	112	55	39.5	172

Specifications (Metric units)

Pipe Size (in)	Orifice Size (mm)	CV Flow Factor	Operating Pressure Differential (Bar)						Max. Fluid Temp. °C		Brass Body Catalog Number	Stainless Steel 304 Catalog Number	Watt Rating/ Class of Coil Insulation		
			Min.	Max. AC			Max. DC			AC			DC	AC	DC
				Air-Inert Gas	Water	Light Oil less 50 CST	Air-Inert Gas	Water	Light Oil less 50 CST						
NORMALLY CLOSED (Closed when de-energized)															
1/4	8	1.2	0.7	16	16	10	16	16	10	80	80	0927000-A2	-	17.1/F	-
1/4	8	1.2	0.7	16	16	10	16	16	10	150	150	0927000-E-A2	-	-	11.6/F
1/4	8	1.2	0.7	16	16	10	16	16	10	150	150	0927000-V-A2	-	17.1/F	40.6H
3/8	10	1.8	0.7	16	16	10	16	16	10	80	80	0927100-A2	-	16.1/F	30.8/F
3/8	10	1.8	0.7	16	16	10	16	16	10	150	150	0927100-E-A2	-	16.1/F	30.8/F
3/8	10	1.8	0.7	16	16	10	16	16	10	150	150	0927100-V-A2	-	6.1/F	11.6/F
1/2	12	3.6	0.7	16	16	10	16	16	10	80	80	0927200-A2	-	16.1/F	30.8/F
1/2	12	3.6	0.7	16	16	10	16	16	10	150	150	0927200-E-A2	-	16.1/F	30.8/F
1/2	12	3.6	0.7	16	16	10	16	16	10	150	150	0927200-V-A2	-	6.1/F	11.6/F
3/4	20	5.10	0.7	16	16	10	16	16	10	80	80	0927300-A2	-	20.1/F	-
3/4	20	5.10	0.7	16	16	10	16	16	10	150	150	0927300-E-A2	-	10.1/F	11.6/F
3/4	20	5.10	0.7	16	16	10	16	16	10	150	150	0927300-V-A2	-	6.1/F	11.6/F
1	25	12	1	16	16	10	16	16	10	80	80	0927400-A2	-	16.1/F	30.8/F
1	25	12	1	16	16	10	16	16	10	150	150	0927400-E-A2	-	16.1/F	30.8/F
1	25	12	1	16	16	10	16	16	10	150	150	0927400-V-A2	-	17.1/F	-
1-1/4	32	24	1	16	16	10	16	16	10	80	80	0927500-A2	-	-	11.6/F
1-1/4	32	24	1	16	16	10	16	16	10	150	150	0927500-E-A2	-	17.1/F	40.6H
1-1/4	32	24	1	16	16	10	16	16	10	150	150	0927500-V-A2	-	16.1/F	30.8/F
1-1/2	40	29	1	16	16	10	16	16	10	80	80	0927600-A2	-	16.1/F	30.8/F
1-1/2	40	29	1	16	16	10	16	16	10	150	150	0927600-E-A2	-	6.1/F	11.6/F
1-1/2	40	29	1	16	16	10	16	16	10	150	150	0927600-V-A2	-	16.1/F	30.8/F
2	50	48	1	16	16	10	16	16	10	80	80	0927700-A2	-	16.1/F	30.8/F
2	50	48	1	16	16	10	16	16	10	150	150	0927700-E-A2	-	6.1/F	11.6/F
2	50	48	1	16	16	10	16	16	10	150	150	0927700-V-A2	-	20.1/F	-
1/4	8	1.2	0.7	16	16	10	16	16	10	80	80	0927105-A2	-	10.1/F	11.6/F
1/4	8	1.2	0.7	16	16	10	16	16	10	150	150	0927105-E-A2	-	6.1/F	11.6/F
1/4	8	1.2	0.7	16	16	10	16	16	10	150	150	0927105-V-A2	-	16.1/F	30.8/F
3/8	10	1.8	0.7	16	16	10	16	16	10	80	80	0927205-A2	-	16.1/F	30.8/F
3/8	10	1.8	0.7	16	16	10	16	16	10	150	150	0927205-E-A2	-	6.1/F	11.6/F
3/8	10	1.8	0.7	16	16	10	16	16	10	150	150	0927205-V-A2	-	20.1/F	-
1/2	12	3.6	0.7	16	16	10	16	16	10	80	80	0927305-A2	-	10.1/F	11.6/F
1/2	12	3.6	0.7	16	16	10	16	16	10	150	150	0927305-E-A2	-	6.1/F	11.6/F
1/2	12	3.6	0.7	16	16	10	16	16	10	150	150	0927305-V-A2	-	16.1/F	30.8/F
3/4	20	5.10	0.7	16	16	10	16	16	10	80	80	0927405-A2	-	16.1/F	30.8/F
3/4	20	5.10	0.7	16	16	10	16	16	10	150	150	0927405-E-A2	-	17.1/F	-
3/4	20	5.10	0.7	16	16	10	16	16	10	150	150	0927405-V-A2	-	-	11.6/F
1	25	12	1	16	16	10	16	16	10	80	80	0927505-A2	-	17.1/F	40.6H
1	25	12	1	16	16	10	16	16	10	150	150	0927505-E-A2	-	16.1/F	30.8/F
1	25	12	1	16	16	10	16	16	10	150	150	0927505-V-A2	-	16.1/F	30.8/F
1-1/4	32	24	1	16	16	10	16	16	10	80	80	0927605-A2	-	6.1/F	11.6/F
1-1/4	32	24	1	16	16	10	16	16	10	150	150	0927605-E-A2	-	16.1/F	30.8/F
1-1/4	32	24	1	16	16	10	16	16	10	150	150	0927605-V-A2	-	16.1/F	30.8/F
1-1/2	40	29	1	16	16	10	16	16	10	80	80	0927705-A2	-	6.1/F	11.6/F
1-1/2	40	29	1	16	16	10	16	16	10	150	150	0927705-E-A2	-	20.1/F	-
1-1/2	40	29	1	16	16	10	16	16	10	150	150	0927705-V-A2	-	10.1/F	11.6/F
2	50	48	1	16	16	10	16	16	10	80	80	0927805-A2	-	6.1/F	11.6/F
2	50	48	1	16	16	10	16	16	10	150	150	0927805-E-A2	-	16.1/F	30.8/F
2	50	48	1	16	16	10	16	16	10	150	150	0927805-V-A2	-	16.1/F	30.8/F

*Note:
 Standard Voltages must be specified when ordering. Other voltages please consult SENYA staff for more details



Direct Acting
Auto Drain Solenoid Valves
Brass Bodies
1/2" BSPP

2/2
SERIES
SYPT

2-WAY

Features

- High quality, economic cost.
- Interval time and discharge time can be adjustable and have test buttons.
- Pressure 16Bar, 40Bar, 80Bar. Many kinds of voltages and connections to be chose.
- Entire stainless steel valve, explosion-proof valve to be chose.
- CE authentication, protection rank IP65, insulation grade H level.
- Match ball valve filter, fission with drain valve, assumed L structure.

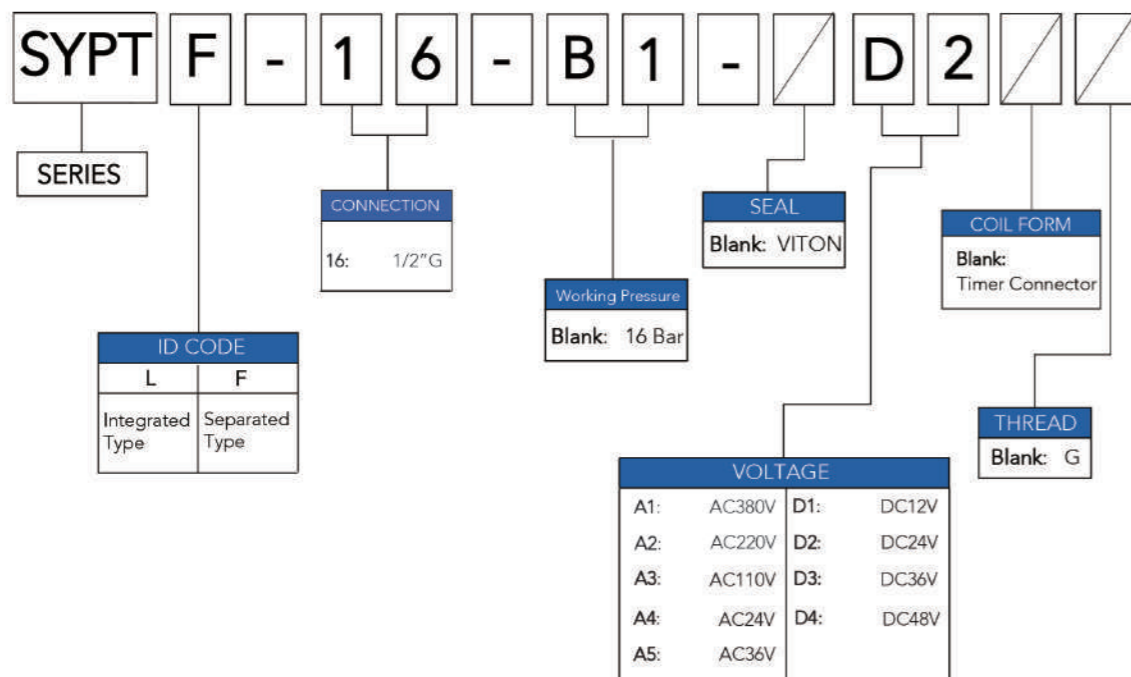


Industrial applications include:

-SYPT general electron drain valve match analogous circuit solid state electron timer with the solenoid valve to realize discharging the condensed water of compressed pneumatic system at fixed time automatically.

-SYPT electron drain valve widely be applied in compressed pneumatic system parts like filter, separator, dryer machine, gas tank, water drop foot and so on. Discharge time and interval time can be carried on adjustment according to different requirements.

Ordering Code



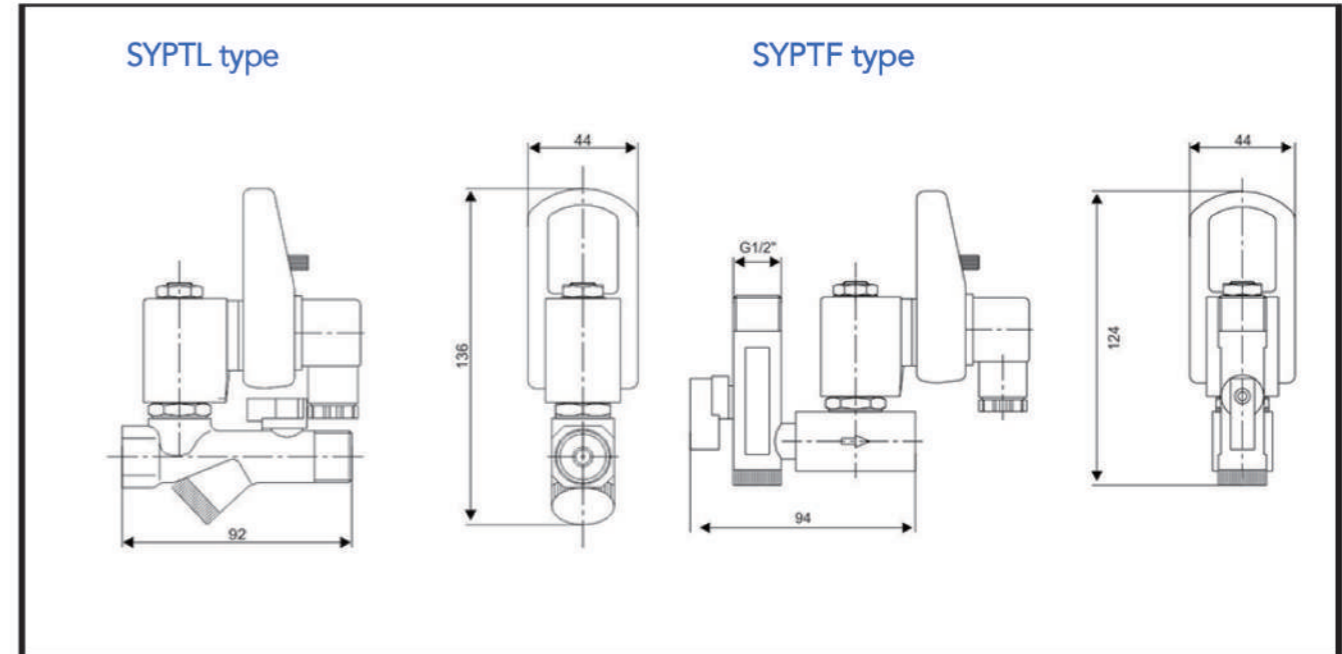
Order Example:
SYPT series auto drain 2/2 ways solenoid valve integrated type, 1/4" port size, VITON seals, DC24V, DIN connector with Timer BSPP (G) thread, max. working pressure 16 Bar. *SENYA part#SYPTL-16-D2*



2-WAY
2/2
SERIES
SYPT

Direct Acting
Auto Drain Solenoid Valve
Brass Bodies
1/2" BSPP

Dimensions Sheet (mm)



Electrical

Timer Part Code	SYPT-A
(OFF) Interval Time	0.5 to 45 Minutes, Adjustable
(ON) Discharge Time	0.5 to 10Seconds, Adjustable
Manual Test Switch	Micro Switch
Supply Voltage	24-240V AC/DC 50/60Hz 12 to 380 VAC/DC 50/60Hz
Current Consumption	4mA Maximum
Environmental Protection	-40~+60°C
Operating Temperature	IP65, NEMA4
Housing Material	ABS Plastic
Connection	DIN 43650 - A/ISO 4400
Indicators	LED (yellow), Indicating ON/OFF
Design Standards	VDE 01 10C

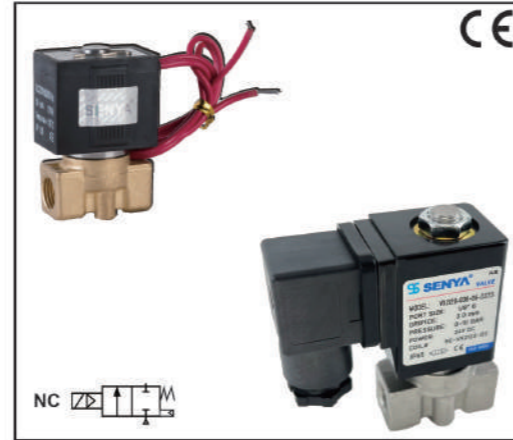
Valve Information	SYPTF-16
Type	2/2-Way Direct Acting with Timer
In/Out Ports	1/2"G
Max. Working Pressure	16Bar
Min./Max. Temperature	2°C/55°C
Max. Medium Temperature	Max. 90° C
Valve Seals	FPM (Viton) Seals Forged Brass, 4.5 mm Orifice
Insulation	Thermal Group H (200° C)
Environmental Protection	IP65, NEMA4
Voltage	24-230V DC 12 to 380V AC 50/60Hz
Voltage Options	±10%
Mountable In Any Position	Random



Direct Acting
General Service Solenoid Valves
 Brass Bodies
 1/8" to 1/2" BSPP
2/2 SERIES
VX2120
 2-WAY

Features

- Compact design, have more working pressure options to choose in 10 Bar, 15 Bar, 20 Bar
- Suitable for gas, oil and other medium up to 150°C
- Random installation suited in limited working space

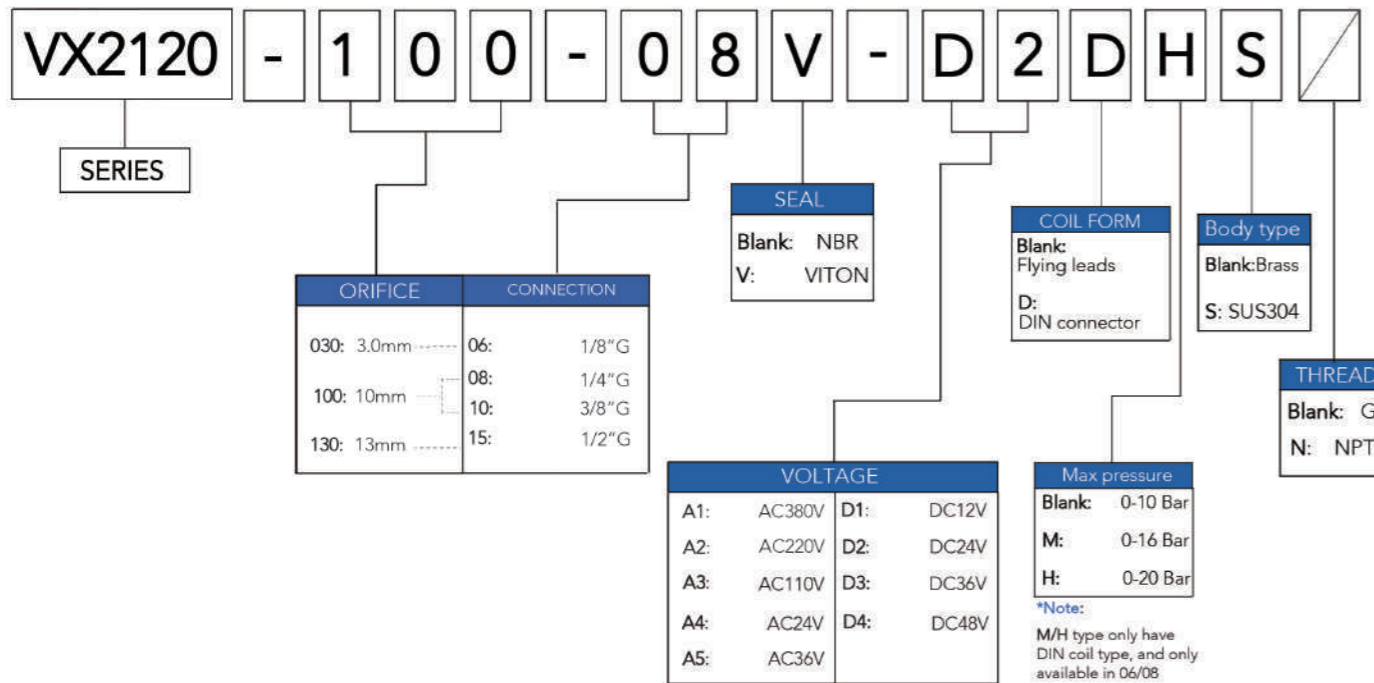


***Note:**
 VX2120 series, flying leads coil could not be directly interchanged with DIN connector coil, the pilot sets need to be replaced at the same time.

Electrical

Standard Coil	Watt Rating and Power Consumption				Spare Coil Part Number			
	DC Watt	AC			General Purpose		Explosionproof	
		Watt	VA Holdin	VA Inrus	AC	DC	AC	DC
F	7.5	16	35	53	0540-AC	0540-DC	-	-
F	15	22	35	39	0545-AC	0545-DC	-	-

Ordering Code

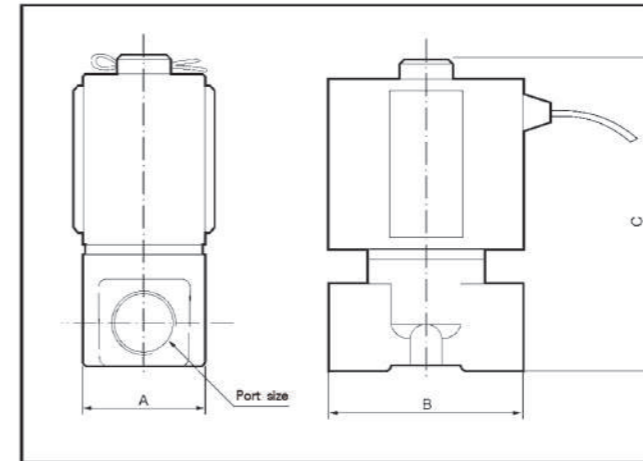


Order Example:
 VX2120 series 2/2 ways solenoid valve, 1/4" port size, VITON seals, DC24V, DIN connector coil, 0-20 Bar working pressure, SUS304 BSPP (G) thread.
 SENYA part#VX2120-100-08V-D2DHS



Direct Acting
General Service Solenoid Valve
 Brass Bodies
 1/8" to 1/4" BSPP
2/2 SERIES
VX2120
 2-WAY

Dimensions Sheet (mm)



Model	Port size	Orifice	A	B	C
VX2120-030-06	1/8"	3mm	26	40	66
VX2120-030-08	1/4"	3mm	26	40	66
VX2120-100-10	3/8"	10mm	40	48	78
VX2120-130-15	1/2"	13mm	47	66	88

Specifications (Metric units)

Pipe Size (in)	Orifice Size (mm)	CV Flow Factor	Operating Pressure Differential (Bar)						Max. Fluid Temp. °C		Brass Body Catalog Number	Stainless Steel 304 Catalog Number	Watt Rating/ Class of Coil Insulation		
			Max. AC			Max. DC			AC	DC			AC	DC	
			Min.	Air-Inert Gas	Water	Light Oil less 50 CST	Air-Inert Gas	Water							Light Oil less 50 CST
NORMALLY CLOSED (Closed when de-energized)															
1/8	3.0	0.35	0	10	10	10	10	10	10	80	80	VX2120-030-06-D2D	VX2120-030-06-D2DS	17.1/F	-
1/8	3.0	0.35	0	10	10	10	10	10	10	150	150	VX2120-030-06V-D2DS	VX2120-030-06V-D2D	-	11.6/F
1/8	3.0	0.12	0	20	20	20	20	20	20	150	150	VX2120-030-06V-D2DHS	VX2120-030-06V-D2DHS	17.1/F	40.6H
1/4	3.0	0.41	0	10	10	10	10	10	10	80	80	VX2120-030-08-D2D	VX2120-030-08-D2DS	17.1/F	-
1/4	3.0	0.41	0	10	10	10	10	10	10	150	150	VX2120-030-08V-D2DS	VX2120-030-08V-D2D	-	11.6/F
1/4	3.0	0.22	0	20	20	20	20	20	20	150	150	VX2120-030-08V-D2DHS	VX2120-030-08V-D2DHS	17.1/F	40.6H
3/8	10	2.21	0	10	10	10	10	10	10	80	80	VX2120-100-10-D2D	VX2120-100-10-D2DS	-	11.6/F
3/8	10	2.21	0	10	10	10	10	10	10	150	150	VX2120-100-10V-D2D	VX2120-100-10V-D2DS	17.1/F	40.6H
1/2	10	3.32	0	10	10	10	10	10	10	80	80	VX2120-130-15-D2D	VX2120-130-15-D2DS	17.1/F	-
1/2	10	3.32	0	10	10	10	10	10	10	150	150	VX2120-130-15V-D2D	VX2120-130-15V-D2DS	-	11.6/F

***Note:**
 Standard Voltages must be specified when ordering. Other voltages please consult SENYA staff for more details



Stainless Steel Solenoid Valves

Direct Acting
SUS 304 Bodies
1/8" to 2" BSPP

2/2
SERIES
2S

2-WAY

Features

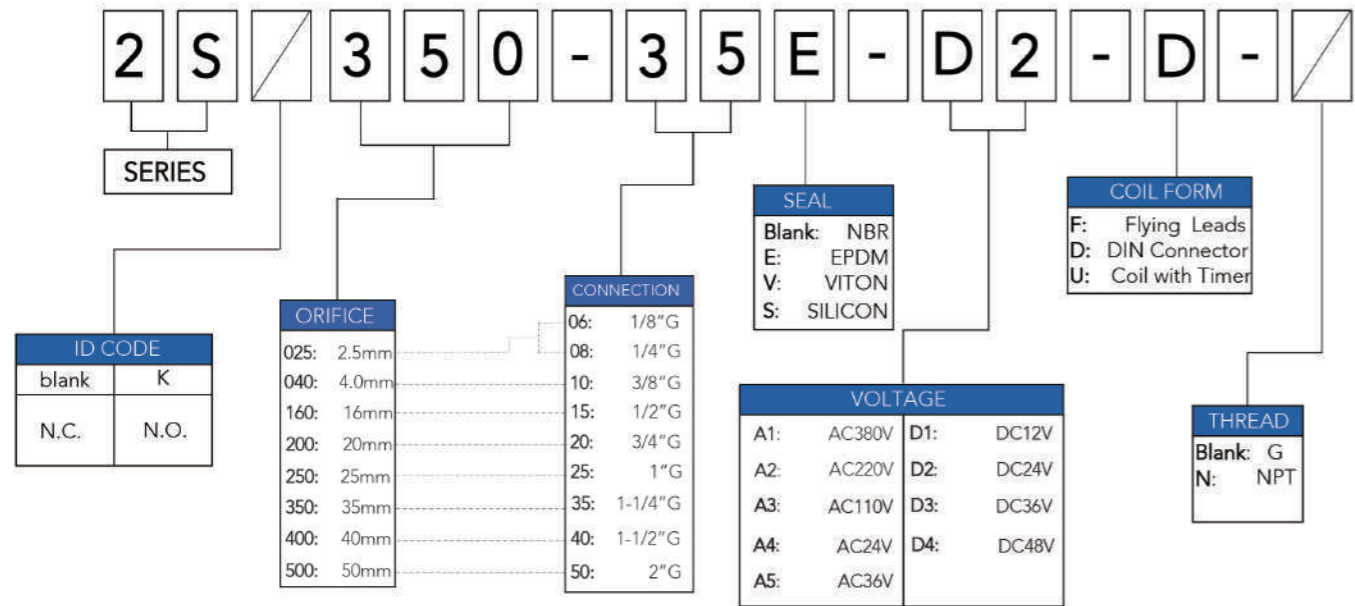
- Zero pressure start, quick reaction time, flow capacity higher than pilot operated type
- Reliable, proven design with high flows
- Direct acting design, it has strong resistance to impurities in the medium
- Industrial applications include:
 - Car Wash
 - Air Compressors
 - Pumps
 - Laundry Equipment
 - Industrial Water Control
 - Water Treatment



Electrical

Standard Coil	Watt Rating and Power Consumption				Spare Coil Part Number			
	DC Watt	AC			General Purpose		Explosionproof	
		Watt	VA Holdin	VA Inrus	AC	DC	AC	DC
F	13	22	22	40	AB310-AC	AB310-DC	1680-AC	1680-DC
F	16	18	22	65	AB410-AC	AB410-DC	1661-AC	1661-DC
F	13	22	35	180	-	-	1381-AC	1381-DC

Ordering Code



Order Example:
2S series direct acting 2/2 ways N. C. solenoid valve, 1-1/2" port size, EPDM seals, DC24V, DIN connector, NPT thread.
SENYA part# 2S400-40E-D2-D-N



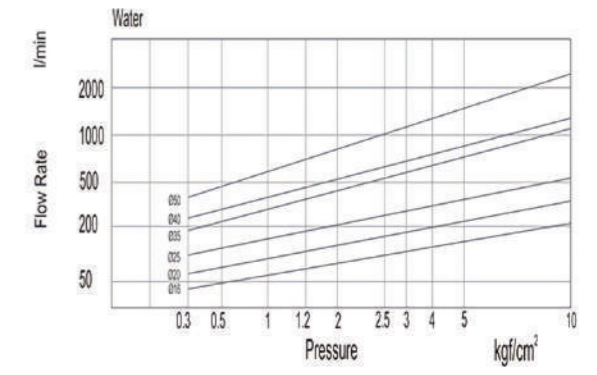
2/2
SERIES
2S

Direct Acting
SUS 304 Bodies
1/8" to 2" BSPP

2-WAY

Flow Rate

Model	Port Size	Orifice
2S160-15-A2-D	1/2"	16mm
2S200-20-A2-D	3/4"	20mm
2S250-25-A2-D	1"	25mm
2S350-35-A2-D	1-1/4"	35mm
2S400-40-A2-D	1-1/2"	40mm
2S500-50-A2-D	2"	50mm



Specifications (Metric units)

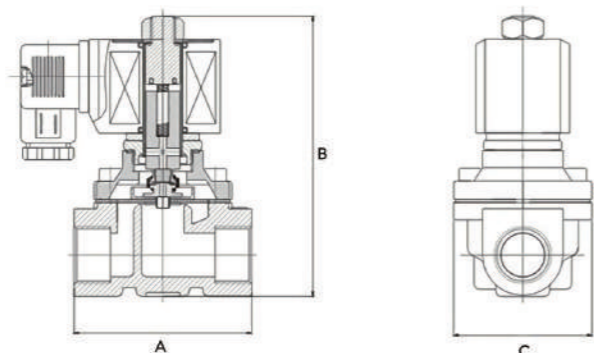
Pipe Size (in)	Orifice Size (mm)	CV Flow Factor	Operating Pressure Differential (Bar)						Max. Fluid Temp. °C		Brass	Stainless Steel 304	Watt Rating/ Class of Coil Insulation			
			Max. AC			Max. DC			AC	DC			Catalog Number	Catalog Number	AC	DC
			Min.	Air-Inert Gas	Water	Light Oil less 50 CST	Air-Inert Gas	Water								
NORMALLY CLOSED (Closed when de-energized)																
1/8	2.5	0.23	0	7	7	7	5	5	5	80	80	2W025-06-A2-D	2S025-06-A2-D	6.1/F	11.6/F	
1/8	2.5	0.23	0	7	7	7	5	5	5	120	120	2W025-06E-A2-D	2S025-06E-A2-D	10.1/F	11.6/F	
1/8	2.5	0.23	0	7	7	7	5	5	5	80	80	2W025-06V-A2-D	2S025-06V-A2-D	6.1/F	11.6/F	
1/4	2.5	0.23	0	7	7	7	5	5	5	80	80	2W025-08-A2-D	2S025-08-A2-D	17.1/F	-	
1/4	2.5	0.23	0	7	7	7	5	5	5	120	120	2W025-08E-A2-D	2S025-08E-A2-D	6.1/F	11.6/F	
1/4	2.5	0.23	0	7	7	7	5	5	5	120	120	2W025-08V-A2-D	2S025-08V-A2-D	10.1/F	11.6/F	
3/8	4	0.6	0	8	8	8	5	5	5	80	80	2W040-10-A2-D	2S040-10-A2-D	17.1/F	11.6/F	
3/8	4	0.6	0	8	8	8	5	5	5	120	120	2W040-10E-A2-D	2S040-10E-A2-D	6.1/F	11.6/F	
3/8	4	0.6	0	8	8	8	5	5	5	120	120	2W040-10V-A2-D	2S040-10V-A2-D	17.1/F	-	
1/2	16	4.8	0	10	10	10	7	6	6	4	80	80	2W160-15-A2-D	2S160-15-A2-D	17.1/F	40.6H
1/2	16	4.8	0	10	10	10	7	6	6	4	120	120	2W160-15E-A2-D	2S160-15E-A2-D	17.1/F	11.6/F
1/2	16	4.8	0	10	10	10	7	6	6	4	120	120	2W160-15V-A2-D	2S160-15V-A2-D	6.1/F	11.6/F
3/4	20	7.6	0	10	10	10	7	6	6	4	80	80	2W200-20-A2-D	2S200-20-A2-D	10.1/F	11.6/F
3/4	20	7.6	0	10	10	10	7	6	6	4	120	120	2W200-20E-A2-D	2S200-20E-A2-D	6.1/F	11.6/F
3/4	20	7.6	0	10	10	10	7	6	6	4	120	120	2W200-20V-A2-D	2S200-20V-A2-D	16.1F	30.8F
1	25	12	0	10	10	10	7	6	6	4	80	80	2W250-25-A2-D	2S250-25-A2-D	16.1/F	30.8/F
1	25	12	0	10	10	10	7	6	6	4	120	120	2W250-25E-A2-D	2S250-25E-A2-D	6.1/F	11.6/F
1	25	12	0	10	10	10	7	6	6	4	120	120	2W250-25V-A2-D	2S250-25V-A2-D	20.1/F	-
1-1/4	35	24	0	10	10	10	7	6	6	4	80	80	2W350-35-A2-D	2S350-35-A2-D	10.1/F	11.6/F
1-1/4	35	24	0	10	10	10	7	6	6	4	120	120	2W350-35E-A2-D	2S350-35E-A2-D	6.1/F	11.6/F
1-1/4	35	24	0	10	10	10	7	6	6	4	120	120	2W350-35V-A2-D	2S350-35V-A2-D	16.1F	30.8/F
1-1/2	40	29	0	10	10	10	7	6	6	4	80	80	2W400-40-A2-D	2S400-40-A2-D	16.1/F	30.8/F
1-1/2	40	29	0	10	10	10	7	6	6	4	120	120	2W400-40E-A2-D	2S400-40E-A2-D	6.1/F	11.6/F
1-1/2	40	29	0	10	10	10	7	6	6	4	120	120	2W400-40V-A2-D	2S400-40V-A2-D	20.1/F	-
2	50	48	0	10	10	10	7	6	6	4	80	80	2W500-50-A2-D	2S500-50-A2-D	17.1/F	-
2	50	48	0	10	10	10	7	6	6	4	120	120	2W500-50E-A2-D	2S500-50E-A2-D	16.1/F	30.8/F
2	50	48	0	10	10	10	7	6	6	4	120	120	2W500-50V-A2-D	2S500-50V-A2-D	6.1/F	11.6/F

*Note:
Standard Voltages must be specified when ordering. Other voltages please consult SENYA staff for more details

Dimensions Sheet (mm)

Port	A	B	C
1/8	40.5	83.5	26.8
1/4	40.5	83.5	26.8
3/8	69	106	57
1/2	69	106	57
3/4	73	114	57
1	73	114	57
1-1/4	112	150	86.5
1-1/2	123	160	94
2	165	183	123

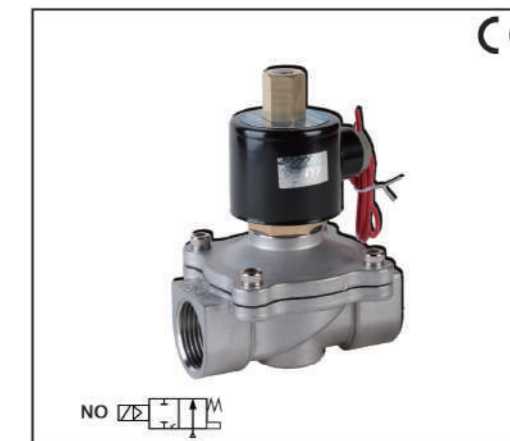
Valve Dimensions (mm)



IMPORTANT: Valves may be mounted in any position, except as noted in specifications table.

Features

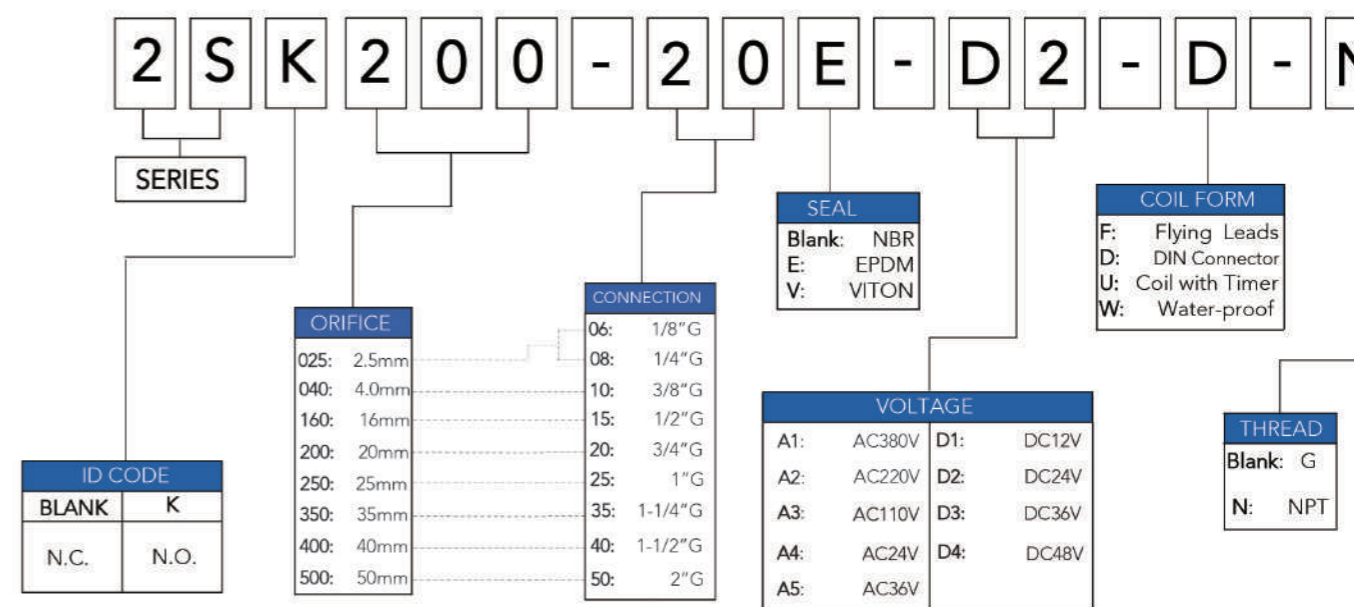
- Special design for long opening, it can extend product life cycle as default opening status
- Reliable, proven design with high flows
- Direct acting design, it has strong resistance to impurities in the medium



Electrical

Standard Coil Class of Insulation	Watt Rating and Power Consumption				Spare Coil Part Number			
	DC Watt	AC			General Purpose		Explosionproof	
		Watt	VA Holdin	VA Inrus	AC	DC	AC	DC
H/F	13	22	22	40	AB310-AC	AB310-DC	1680-AC	1680-DC
H/F	16	18	22	65	AB410-AC	AB410-DC	1661-AC	1661-DC
H/F	13	22	35	180	-	-	1381-AC	1381-DC

Ordering Code



Order Example:
2W series N.O. direct acting 2/2 ways solenoid valve, 2" port size, EPDM diaphragm seals, DC24V, Flying leads, NPT thread.
SENYA part# 2WK500-50E-D2-F-N



General Service Solenoid Valves

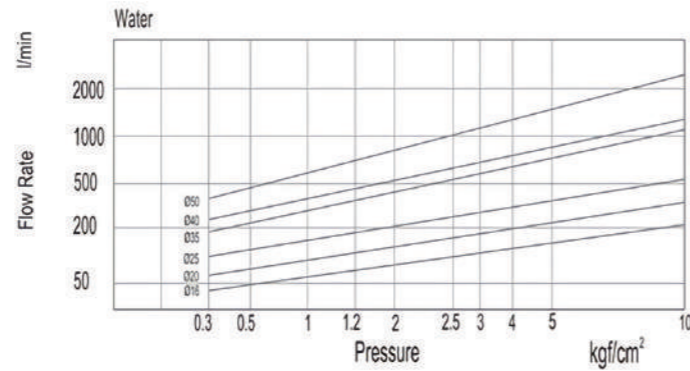
Direct Acting
SUS 304 Bodies
1/8" to 2" BSPP

2/2
SERIES
2SK

2-WAY

Flow Rate Chart

Orifice		
Model	Port Size	Orifice
2WK160-15-A2-D	1/2"	16mm
2WK200-20-A2-D	3/4"	20mm
2WK250-25-A2-D	1"	25mm
2WK350-35-A2-D	1-1/4"	35mm
2WK400-40-A2-D	1-1/2"	40mm
2WK500-50-A2-D	2"	50mm



Specifications (Metric units)

Pipe Size (in)	Orifice Size (mm)	CV Flow Factor	Operating Pressure Differential (Bar)						Max. Fluid Temp. °C		Brass Catalog Number	Stainless Steel 304 Catalog Number	Watt Rating/ Class of Coil Insulation		
			Min.	Max. AC			Max. DC			AC			DC	AC	DC
				Air-Inert Gas	Water	Light Oil less 50 CST	Air-Inert Gas	Water	Light Oil less 50 CST						
NORMALLY CLOSED (Closed when de-energized)															
1/8	2.5	0.23	0	7	7	7	5	5	5	80	80	2WK025-06-A2-D	2SK025-06-A2-D	6.1/F	11.6/F
1/8	2.5	0.23	0	7	7	-	5	5	-	120	120	2WK025-06E-A2-D	2SK025-06E-A2-D	10.1/F	11.6/F
1/8	2.5	0.23	0	7	7	7	5	5	5	120	120	2WK025-06V-A2-D	2SK025-06V-A2-D	6.1/F	11.6/F
1/4	2.5	0.23	0	7	7	7	5	5	5	80	80	2WK025-08-A2-D	2SK025-08-A2-D	17.1/F	-
1/4	2.5	0.23	0	7	7	-	5	5	-	120	120	2WK025-08E-A2-D	2SK025-08E-A2-D	6.1/F	11.6/F
1/4	2.5	0.23	0	7	7	7	5	5	5	120	120	2WK025-08V-A2-D	2SK025-08V-A2-D	10.1/F	11.6/F
3/8	4	0.6	0	8	8	5	5	5	5	80	80	2WK040-10-A2-D	2SK040-10-A2-D	17.1/F	11.6/F
3/8	4	0.6	0	8	8	5	5	5	5	120	120	2WK040-10E-A2-D	2SK040-10E-A2-D	6.1/F	11.6/F
3/8	4	0.6	0	8	8	5	5	5	5	120	120	2WK040-10V-A2-D	2SK040-10V-A2-D	17.1/F	-
1/2	16	4.8	0	10	10	7	6	6	4	80	80	2WK160-15-A2-D	2SK160-15-A2-D	17.1/F	40.6H
1/2	16	4.8	0	10	10	7	6	6	4	120	120	2WK160-15E-A2-D	2SK160-15E-A2-D	17.1/F	11.6/F
1/2	16	4.8	0	10	10	7	6	6	4	120	120	2WK160-15V-A2-D	2SK160-15V-A2-D	6.1/F	11.6/F
3/4	20	7.6	0	10	10	7	6	6	4	80	80	2WK200-20-A2-D	2SK200-20-A2-D	10.1/F	11.6/F
3/4	20	7.6	0	10	10	7	6	6	4	120	120	2WK200-20E-A2-D	2SK200-20E-A2-D	6.1/F	11.6/F
3/4	20	7.6	0	10	10	7	6	6	4	120	120	2WK200-20V-A2-D	2SK200-20V-A2-D	16.1F	30.8/F
1	25	12	0	10	10	7	6	6	4	80	80	2WK250-25-A2-D	2SK250-25-A2-D	16.1F	30.8/F
1	25	12	0	10	10	7	6	6	4	120	120	2WK250-25E-A2-D	2SK250-25E-A2-D	6.1/F	11.6/F
1	25	12	0	10	10	7	6	6	4	120	120	2WK250-25V-A2-D	2SK250-25V-A2-D	20.1/F	-
1-1/4	35	24	0	10	10	7	6	6	4	80	80	2WK350-35-A2-D	2SK350-35-A2-D	10.1/F	11.6/F
1-1/4	35	24	0	10	10	7	6	6	4	120	120	2WK350-35E-A2-D	2SK350-35E-A2-D	6.1/F	11.6/F
1-1/4	35	24	0	10	10	7	6	6	4	120	120	2WK350-35V-A2-D	2SK350-35V-A2-D	16.1F	30.8/F
1-1/2	40	29	0	10	10	7	6	6	4	80	80	2WK400-40-A2-D	2SK400-40-A2-D	16.1F	30.8/F
1-1/2	40	29	0	10	10	7	6	6	4	120	120	2WK400-40E-A2-D	2SK400-40E-A2-D	6.1/F	11.6/F
1-1/2	40	29	0	10	10	7	6	6	4	120	120	2WK400-40V-A2-D	2SK400-40V-A2-D	20.1/F	-
2	50	48	0	10	10	7	6	6	4	80	80	2WK500-50-A2-D	2SK500-50-A2-D	17.1/F	-
2	50	48	0	10	10	7	6	6	4	120	120	2WK500-50E-A2-D	2SK500-50E-A2-D	16.1F	30.8/F
2	50	48	0	10	10	7	6	6	4	120	120	2WK500-50V-A2-D	2SK500-50V-A2-D	6.1/F	11.6/F

*Note: Standard Voltages must be specified when ordering. Other voltages please consult SENYA staff for more details



2/2
SERIES
2SK

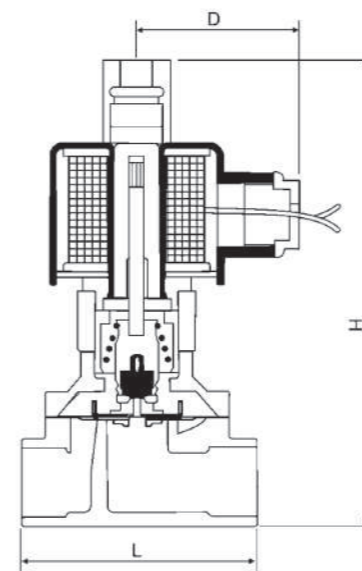
2-WAY

General Service Solenoid Valves

Direct Acting
SUS304 Bodies
1/8" to 2" BSPP

Dimensions Sheet (mm)

Valve Dimensions (mm)



Model	Port Size	H	L	D
2SK025-08-A2-D	1/8	48	100	62
2SK040-10-A2-D	1/4	53	105	62
2SK160-10-A2-D	3/8	66	126	62
2SK160-15-A2-D	1/2	66	126	62
2SK200-20-A2-D	3/4	70	130	62
2SK250-25-A2-D	1	92	139	62
2SK350-35-A2-D	1-1/4	112	186	62
2SK400-40-A2-D	1-1/2	123	197	62
2SK500-50-A2-D	2	168	225	62

IMPORTANT: Valves may be mounted in any position, except as noted in specifications table.



Stainless Steel Solenoid Valves

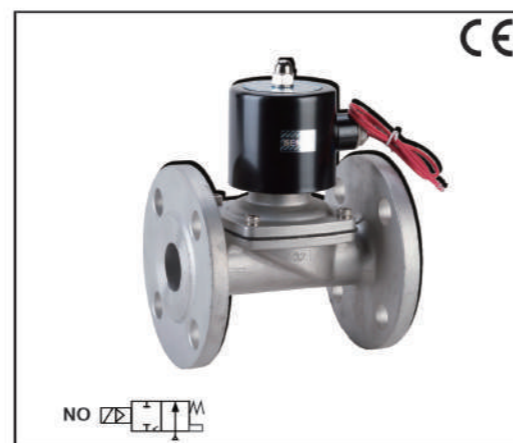
Direct Acting
SUS 304 Bodies
1" - 2" BSPP Flanged

2/2
SERIES
2SF

2-WAY

Features

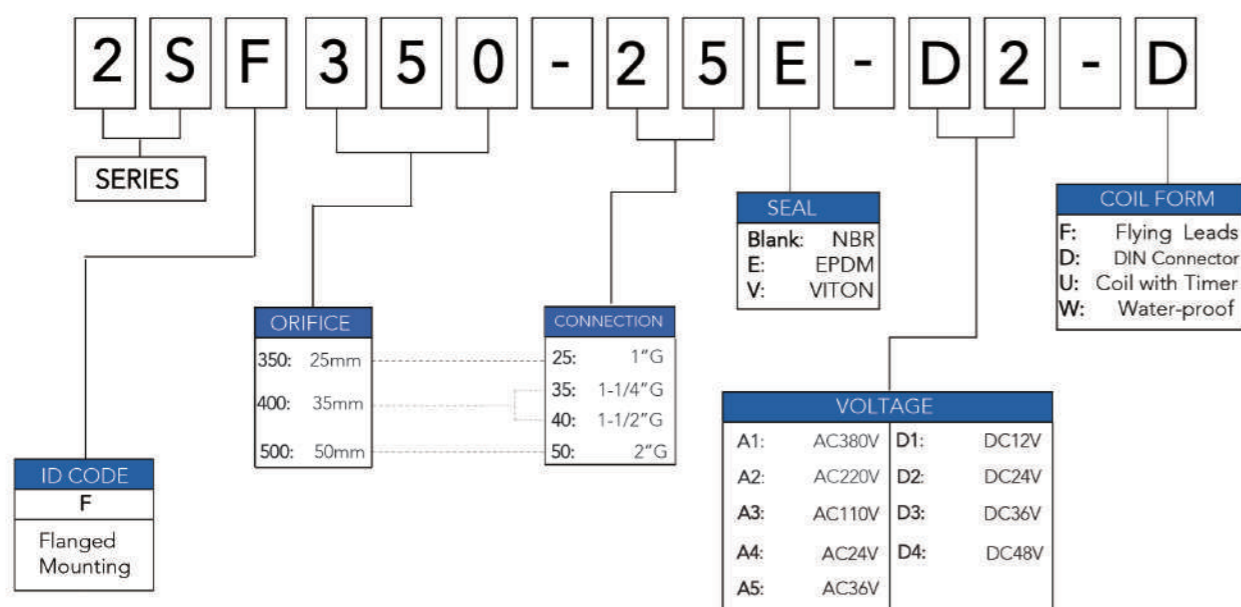
- Flange mounting to fit some engineering application.
- Reliable, proven design with high flows.
- Direct acting design, it has strong resistance to impurities in the medium.



Electrical

Standard Coil	Watt Rating and Power Consumption				Spare Coil Part Number			
	Class of Insulation	DC Watt	AC		General Purpose		Explosionproof	
			Watt	VA Holdin	VA Inrus	AC	DC	AC
H/F	13	22	22	40	AB310-AC	AB310-DC	1680-AC	1680-DC
H/F	16	18	22	65	AB410-AC	AB410-DC	1661-AC	1661-DC
H/F	13	22	35	180	-	-	1381-AC	1381-DC

Ordering Code



Order Example:
2S series direct acting 2/2 ways solenoid valve, 2" port size, EPDM diaphragm seals, DC24V, DIN connector, Flanged.
SENYA part# 2SF500-50E-D2-D



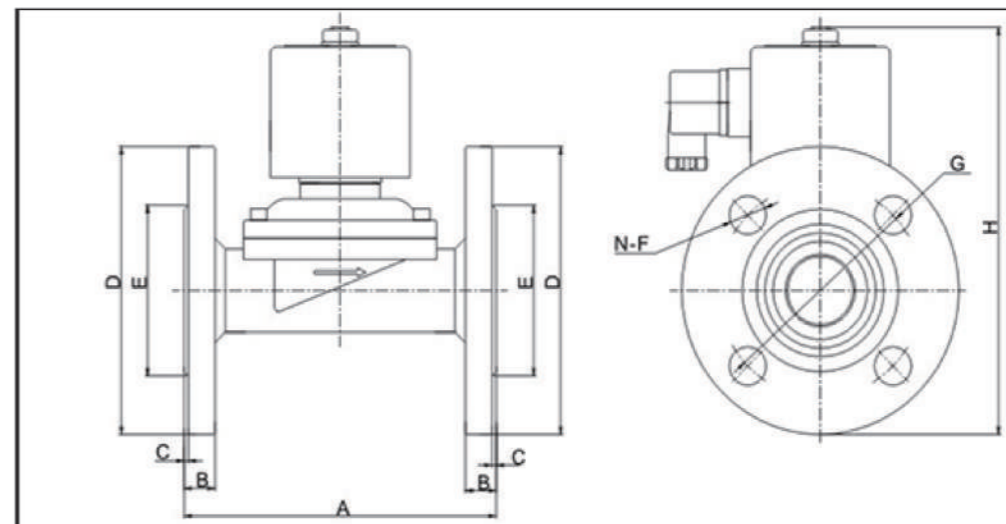
2/2
SERIES
2SF

Stainless Steel Solenoid Valve

Direct Acting
SUS 304 Bodies
1" - 2" BSPP Flanged

2-WAY

Dimensions Sheet (mm)



Model	A	B	C	D	E	N-F	G	H
2SF350-25-A2	139	14	2	115	62	4-14	85	160
2SF400-35-A2	156	15	2	135	76	4-18	100	201
2SF400-40-A2	156	15	2	145	84	4-18	110	201
2SF500-50-A2	204	16	2	160	98	4-18	125	229

IMPORTANT: Valves may be mounted in any position, except as noted in specifications table.

Specifications (Metric units)

Pipe Size (mm)	Orifice Size (mm)	CV Flow Factor	Operating Pressure Differential (Bar)						Max. Fluid Temp. °C		Brass Catalog Number	Stainless Steel 304 Catalog Number	Watt Rating/Class of Coil Insulation		
			Max. AC			Max. DC			AC	DC			AC	DC	
			Min.	Air-Inert Gas	Water	Light Oil less 50 CST	Air-Inert Gas	Water							Light Oil less 50 CST
NORMALLY CLOSED (Closed when de-energized)															
25	35	24	0	10	10	7	6	6	4	80	80	2WF350-25-A2-D	2SK025-06-A2-D	6.1/F	11.6/F
25	35	24	0	10	10	-	6	6	-	150	150	2WF350-25E-A2-D	2SK025-06E-A2-D	10.1/F	11.6/F
25	35	24	0	10	10	7	6	6	5	150	150	2WF350-25V-A2-D	2SK025-06V-A2-D	6.1/F	11.6/F
35	40	29	0	10	10	7	6	6	5	80	80	2WF400-35-A2-D	2SK025-08-A2-D	17.1/F	-
35	40	29	0	10	10	-	6	6	-	150	150	2WF400-35E-A2-D	2SK025-08E-A2-D	6.1/F	11.6/F
35	40	29	0	10	10	7	6	6	5	150	150	2WF400-35V-A2-D	2SK025-08V-A2-D	10.1/F	11.6/F
40	40	29	0	10	10	7	6	6	5	80	80	2WF400-40-A2-D	2SK040-10-A2-D	17.1/F	11.6/F
40	40	29	0	10	10	-	6	6	-	150	150	2WF400-40E-A2-D	2SK040-10E-A2-D	6.1/F	11.6/F
40	40	29	0	10	10	7	6	6	5	150	150	2WF400-40V-A2-D	2SK040-10V-A2-D	17.1/F	-
50	50	48	0	10	10	7	6	6	4	80	80	2WF500-50-A2-D	2SK160-15-A2-D	17.1/F	40.6H
50	50	48	0	10	10	-	6	6	-	150	150	2WF500-50E-A2-D	2SK160-15E-A2-D	17.1/F	11.6/F
50	50	48	0	10	10	7	6	6	4	150	150	2WF500-50V-A2-D	2SK160-15V-A2-D	6.1/F	11.6/F

*Note:
Standard Voltages must be specified when ordering. Other voltages please consult SENYA staff for more details



Pilot Operated Stainless Steel Steam Solenoid Valve

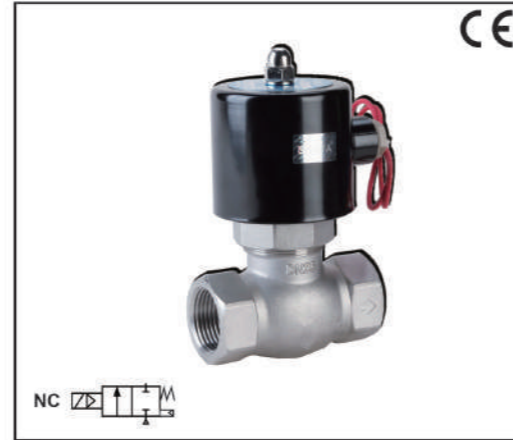
SUS304 Bodies
1/2" to 2" BSPP

2/2
SERIES
USB

2-WAY

Features

- Adopt steeple-crowned structure; automatically sealed compensation could extend the useful life of This valve
- Solenoid magnetic field design could reach higher voltage.
- The balance design of piston clearance could reinforce the reliable use of this valve in higher temperature.

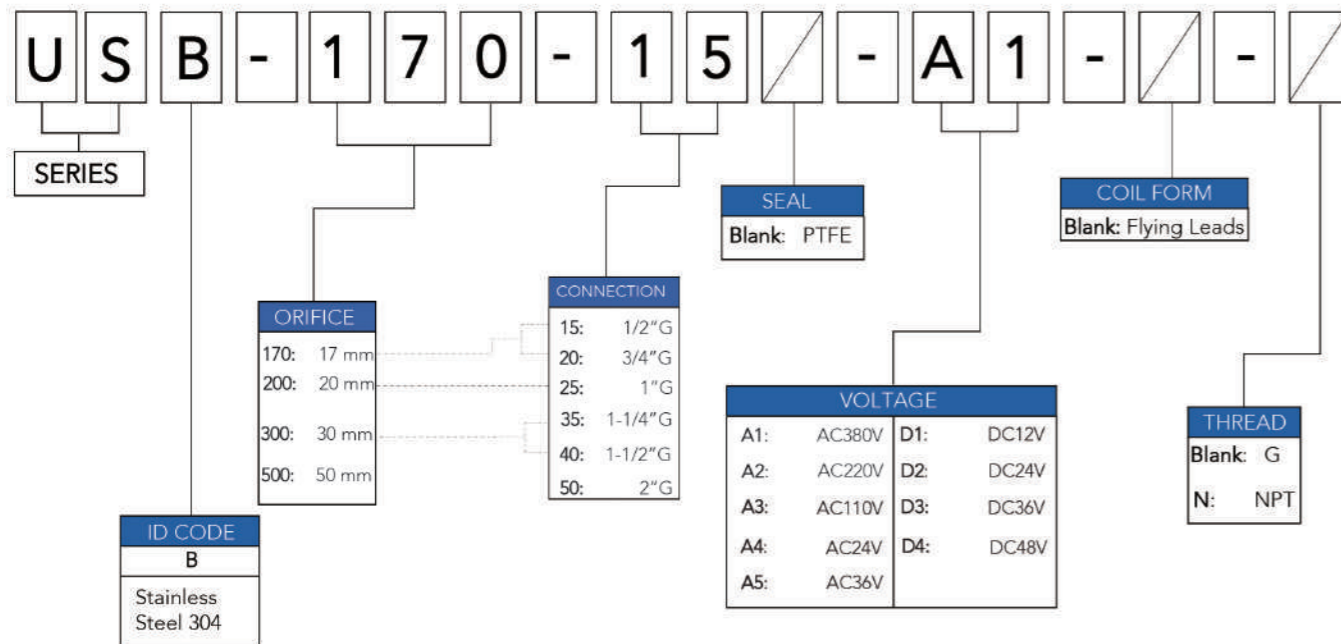


***Note:**
US series only has flying leads coil, thermosetting plastic coil is not good for high temperature heat dissipation

Electrical

Standard Coil Class of Insulation	Watt Rating and Power Consumption				Spare Coil Part Number			
	DC Watt	AC			General Purpose		Explosionproof	
		Watt	VA Holdin	VA Inrus	AC	DC	AC	DC
F	24	28	50	78	US-FXD-AC	US-FXD-DC	-	-
F	24	50	75	80	US-HXD-AC	US-HXD-DC	-	-

Ordering Code



Order Example:
US series pilot operated steam 2/2 ways solenoid valve, 1/2" port size, PTFE seals, AC220V, Flying leads coil, BSPP (G) thread.
SENYA part# US170-15-A2



2/2
SERIES
USB

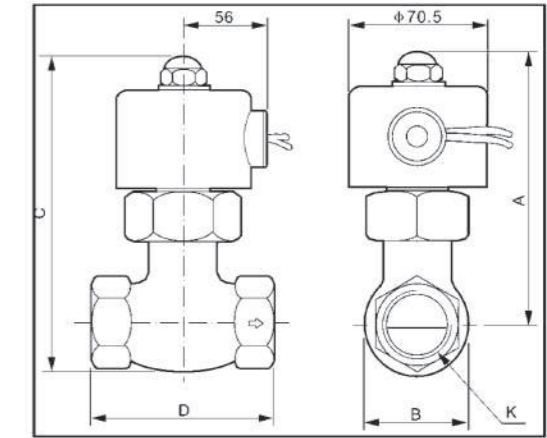
Pilot Operated Stainless Steel Steam Solenoid Valve

SUS 304 Bodies
1/2" to 2" BSPP



Dimensions Sheet (mm)

Model	Port size	A	B	C	D
US170-15-A2	1/2"	128	42	145	81
US170-20-A2	3/4"	128	48	148	81
US200-25-A2	1"	130	54	156	91
US300-35-A2	1 1/4"	148	76	185	113
US300-40-A2	1 1/2"	148	76	183	113
US500-50-A2	2"	171	91	216	168



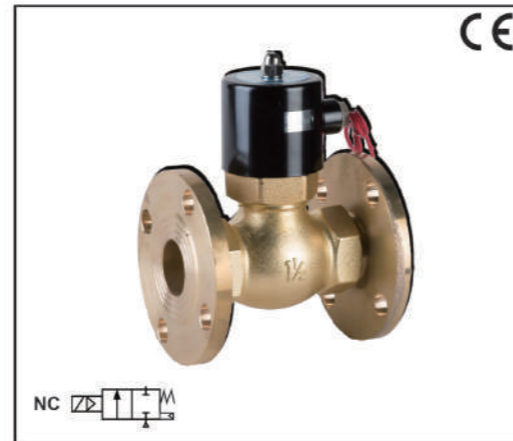
Specifications (Metric units)

Pipe Size (in)	Orifice Size (mm)	CV Flow Factor	Operating Pressure Differential (Bar)						Max. Fluid Temp. °C		Brass Body Catalog Number	Stainless Steel 304 Catalog Number	Watt Rating/Class of Coil Insulation		
			Min.	Max. AC			Max. DC			AC			DC	AC	DC
				Air-Inert Gas	Water	Light Oil less 50 CST	Air-Inert Gas	Water	Light Oil less 50 CST						
NORMALLY CLOSED (Closed when de-energized)															
1/2	17	4.8	0.1	16	16	10	16	16	10	180	180	US170-15-A2	USB170-15-A2	17.1/F	-
3/4	17	4.8	0.1	16	16	10	16	16	10	180	180	US170-20-A2	USB170-20-A2	-	11.6/F
1	20	12	0.1	16	16	10	16	16	10	180	180	US200-25-A2	USB200-25-A2	17.1/F	40.6H
1 1/4	30	20	0.1	16	16	10	16	16	10	180	180	US300-35-A2	USB300-35-A2	10.1/F	11.6/F
1 1/2	30	20	0.1	16	16	10	16	16	10	180	180	US300-40-A2	USB300-40-A2	16.1/F	30.8/F
2	50	48	0.1	16	16	10	16	16	10	180	180	US500-50-A2	USB500-50-A2	17.1/F	-

***Note:**
Standard Voltages must be specified when ordering. Other voltages please consult SENYA staff for more details

Features

- Adopt steeply-crowned structure; automatically sealed compensation could extend the useful life of This valve
- Solenoid magnetic field design could reach higher voltage.
- The balance design of piston clearance could reinforce the reliable use of this valve in higher temperature.

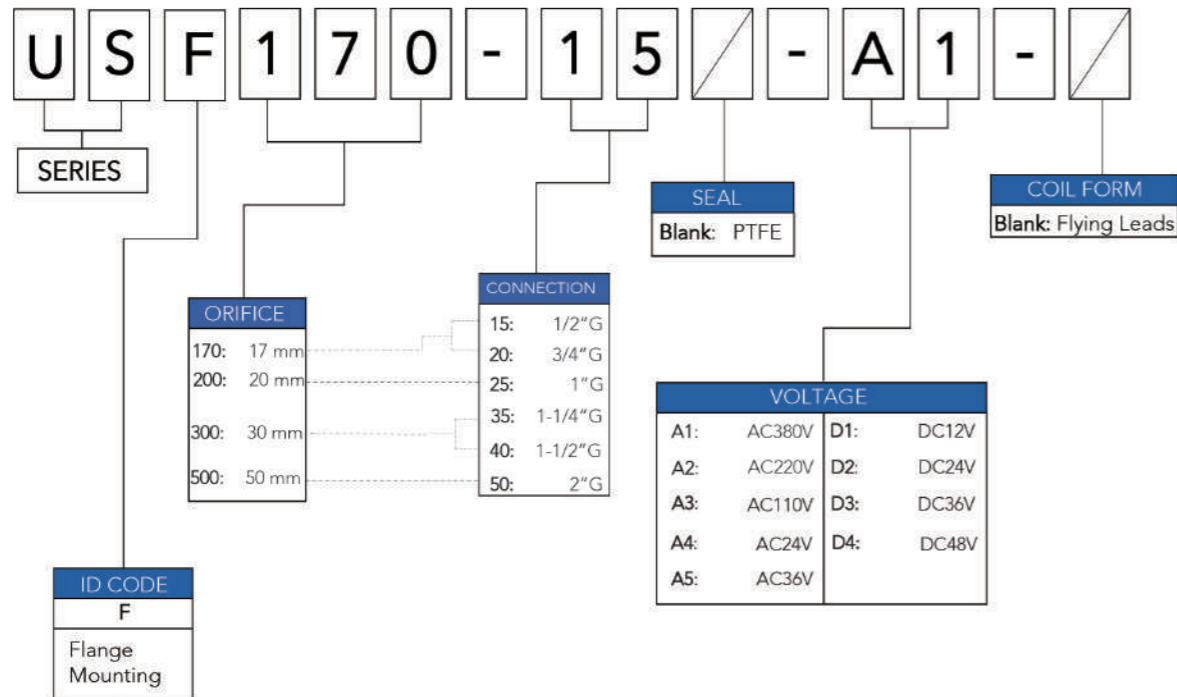


***Note:**
US series only has flying leads coil, thermosetting plastic coil is not good for high temperature heat dissipation

Electrical

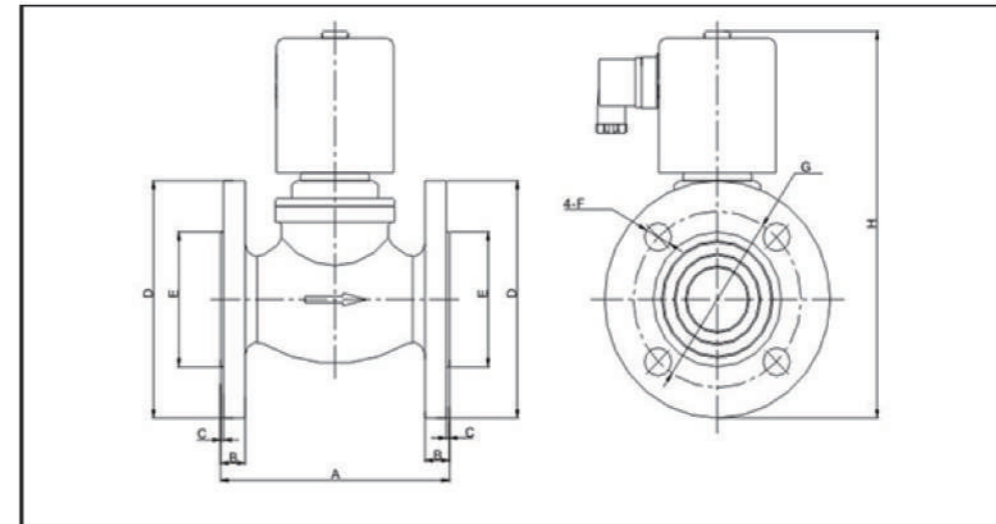
Standard Coil Class of Insulation	Watt Rating and Power Consumption				Spare Coil Part Number			
	DC Watt	AC			General Purpose		Explosionproof	
		Watt	VA Holdin	VA Inrus	AC	DC	AC	DC
F	24	28	50	78	US-FXD-AC	US-FXD-DC	-	-
F	24	50	75	80	US-HXD-AC	US-HXD-DC	-	-

Ordering Code



Order Example:
US series pilot operated steam 2/2 ways solenoid valve, 1/2" port size, PTFE seals, AC220V, Flying leads coil, Flanged
SENYA part#USF170-15-A2

Dimensions Sheet (mm)



Model	A	B	C	D	E	N-F	G	H
USF170-15-D2	81	12	2	102	56	4-14	75	145
USF170-20-D2	81	12	2	102	56	4-14	75	148
USF200-25-D2	91	12	2	115	65	4-18	85	156
USF300-35-D2	113	16	2	140	78	4-18	100	185
USF300-40-D2	113	16	2	148	65	4-18	110	183
USF500-50-D2	168	16	2	165	78	4-18	125	216

IMPORTANT: Valves may be mounted in any position, except as noted in specifications table.

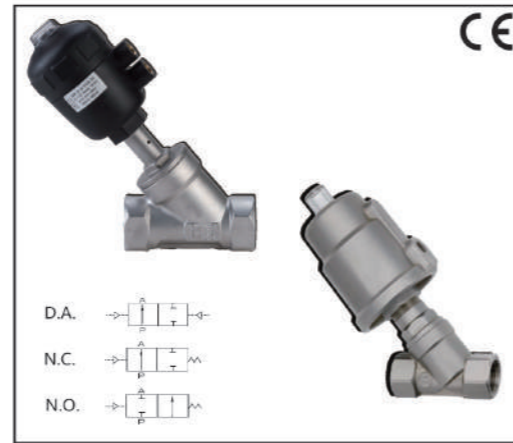
Specifications (Metric units)

Pipe Size (mm)	Orifice Size (mm)	CV Flow Factor	Operating Pressure Differential (Bar)						Max. Fluid Temp. °C		Brass Body Catalog Number	Stainless Steel 304 Catalog Number	Watt Rating/ Class of Coil Insulation	
			Max. AC			Max. DC			AC	DC			AC	DC
			Min.	Air-Inert Gas	Water	Light Oil less 50 CST	Air-Inert Gas	Water						
NORMALLY CLOSED (Closed when de-energized)														
17	4.8	1	15	15	-	15	15	-	180	180	USF170-15-D2	USBF170-15-D2	-	-
17	4.8	1	15	15	-	15	15	-	180	180	USF170-20-D2	USBF170-20-D2	-	-
20	12	1	15	15	-	15	15	-	180	180	USF200-25-D2	USBF200-25-D2	-	-
30	20	1	15	15	-	15	15	-	180	180	USF300-35-D2	USBF300-35-D2	-	-
30	20	1	15	15	-	15	15	-	180	180	USF300-40-D2	USBF300-40-D2	-	-
50	48	1	15	15	-	15	15	-	180	180	USF500-50-D2	USBF500-50-D2	-	-

***Note:**
Standard Voltages must be specified when ordering. Other voltages please consult SENYA staff for more details

Features

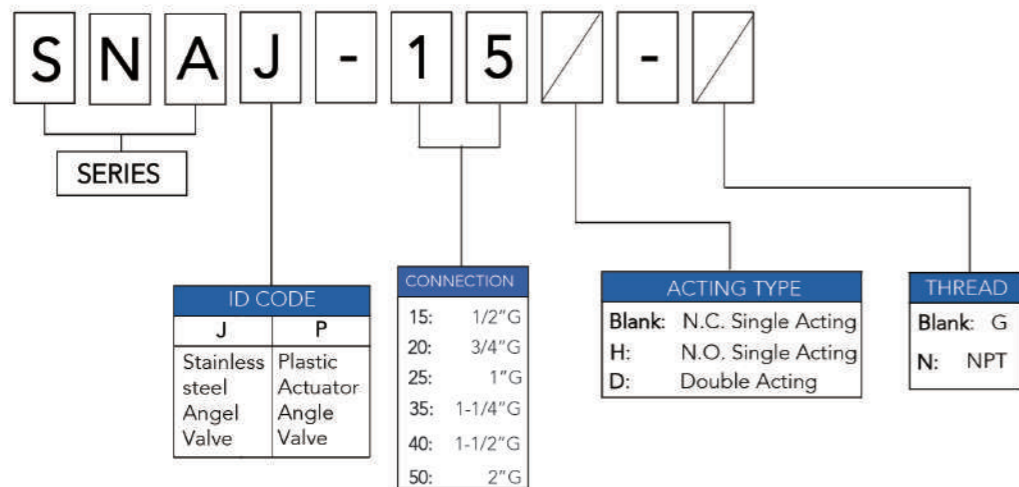
- Pneumatic piloted outside, it could increase useful life, maintenance free.
- There are self-adjust seal cover between overflow and slide block, it could improve sealing performance.
- Angler seat structure of valve body could realize high capacity, compact structure and quickly response.
- 4. Medium temperature: -10~+180°C .



Technical Parameter

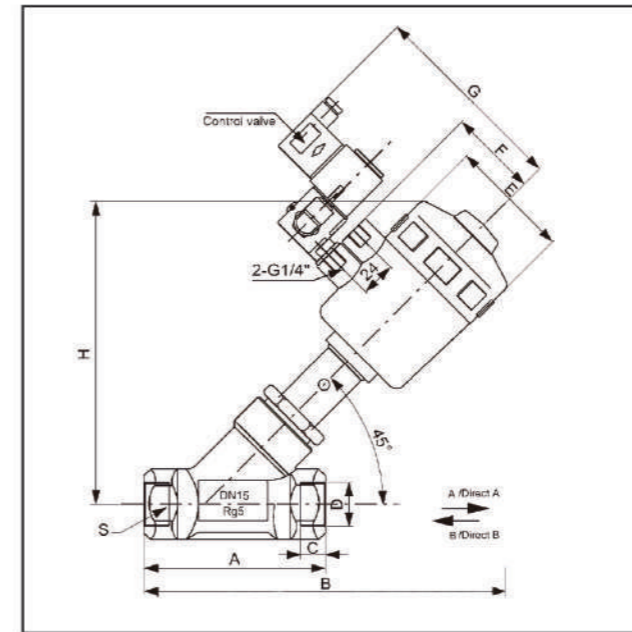
Orifice Size	Port Connection	CV Value	Max. Working Pressure	Min. Control Pressure	Actuator size		Flow direction
					Polyamide	Aluminum Alloy	
15mm	1/2"	4.9	0-1.6MPa	0.39MPa	50Φmm	-	A(flow direction below the seat) or B(flow direction above the seat)
20mm	3/4"	9.3	0-1.1MPa	0.39MPa	50Φmm	-	
25mm	1"	22.0	0-1.1MPa	0.42MPa	63Φmm	-	
32mm	1 1/4"	32.0	0-1.5MPa	0.5MPa	63Φmm	100Φmm	
40mm	1 1/2"	48.6	0-1.25MPa	0.44MPa	63Φmm	100Φmm	
50mm	2"	63.6	0-1.0MPa	0.4MPa	-	125Φmm	

Ordering Code



Order Example:
 SNAJ Series Stainless Steel Angle Valve ,1" Port Size, N.C. Single Acting, BSPP (G) thread.
 SENYA part#SNAJ-15

Dimensions Sheet (mm)



Orifice Size (mm)	Port Connection D	Actuator size (Φmm)		A	B		C	ΦE		F		G		H		L	S
		Polyamide	Aluminum Alloy		Polyamide	Aluminum Alloy		Polyamide	Aluminum Alloy	Polyamide	Aluminum Alloy	Polyamide	Aluminum Alloy				
														Polyamide	Aluminum Alloy		
15	1/2"	50	-	85	173	-	12	64	-	44	-	112	-	137	-	33	27
20	3/4"	50	-	95	178	-	12	64	-	44	-	112	-	145	-	35	32
25	1"	63	-	105	212	-	14	80	-	52	-	120	-	173	-	40	41
32	1 1/4"	63	100	118	236	276	16	80	140	52	70	120	138	189	250	35	55
40	1 1/2"	63	100	130	230	270	18	80	140	52	70	120	138	189	250	35	55
50	2"	80	125	150	238	300	20	100	170	52	83	120	151	250	260	38	70

Cautions:

Choose flowing direction A

- When choose this flowing direction, it could increase the useful life of this product.
- When the working medium is fluid, choose this flowing direction could avoid the impact of water hammer.
- The latus of the product is Φ15/Φ20/Φ25, the working must be under 0.3MPa, or choose double acting actuator, the latus of the product is Φ50, the actuator or must choose double acting Φ125 size.

Choose flowing direction A

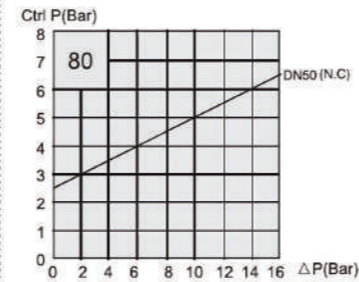
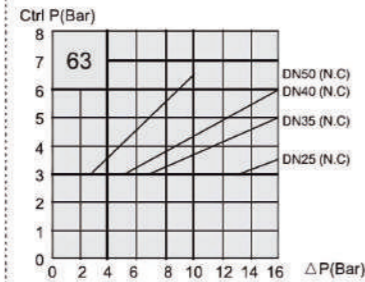
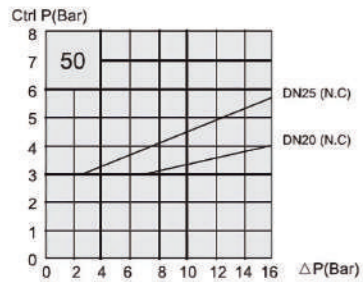
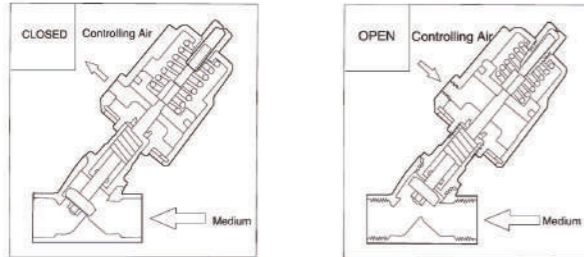
- When working medium is steam or gas, choose this flowing direction, it could improve the fluid sealing performance of this product, but as the V type seal ring in valve body contact working medium in long time, it has some influence to the useful life of product, in addition, the working medium is liquid, it's not avoid the impact of water hammer.

Specifications (Metric units)

Pipe Size (mm)	Orifice Size (mm)	CV Flow Factor	Operating Pressure Differential (Bar)						Max. Fluid Temp. °C		Stainless Steel Seat and Plastic Actuator	Full Stainless Steel 304	Watt Rating/ Class of Coil Insulation			
			Max. Working Pressure			Control Pressure			AC	DC			Catalog Number	Catalog Number	AC	DC
			Min.	Air-Inert Gas	Water	Light Oil less 60 CST	Min.	Max.			AC	DC				
NORMALLY CLOSED (Closed when de-energized)																
1/2"	15	4.9	0	16	16	16	3.9	6	180	180	SNAP-15	SNAJ-15	-	-		
3/4"	20	9.3	0	11	11	11	3.9	6	180	180	SNAP-20	SNAJ-20	-	-		
1"	25	22.0	0	11	11	11	4.2	6	180	180	SNAP-25	SNAJ-25	-	-		
1 1/4"	32	32.0	0	15	15	15	5.0	6	180	180	SNAP-35	SNAJ-35	-	-		
1 1/2"	40	48.6	0	12.5	12.5	12.5	4.4	6	180	180	SNAP-40	SNAJ-40	-	-		
2"	50	63.6	0	10	10	10	4.0	6	180	180	SNAP-50	SNAJ-50	-	-		

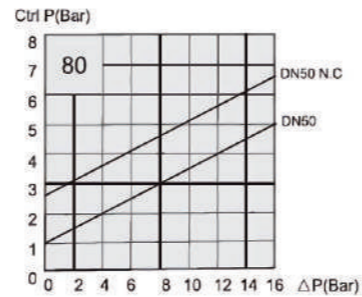
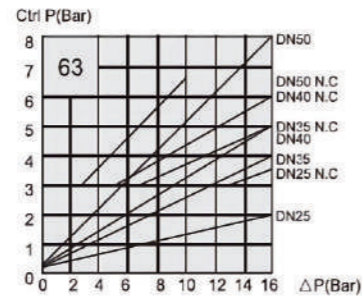
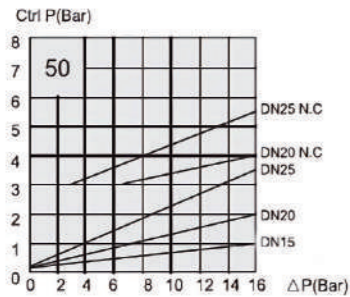
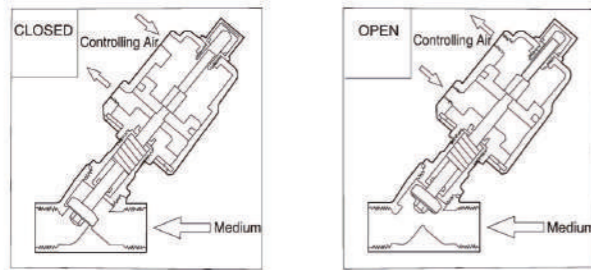
Single Acting N.C. Type---Flow Rate

Flow direction:UP the seat, single acting normal close /open



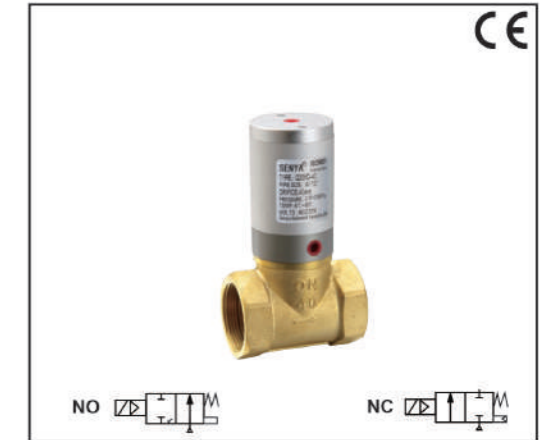
Double Acting Type---Flow Rate

Flow direction:UP the seat, double acting normal close /open



Features

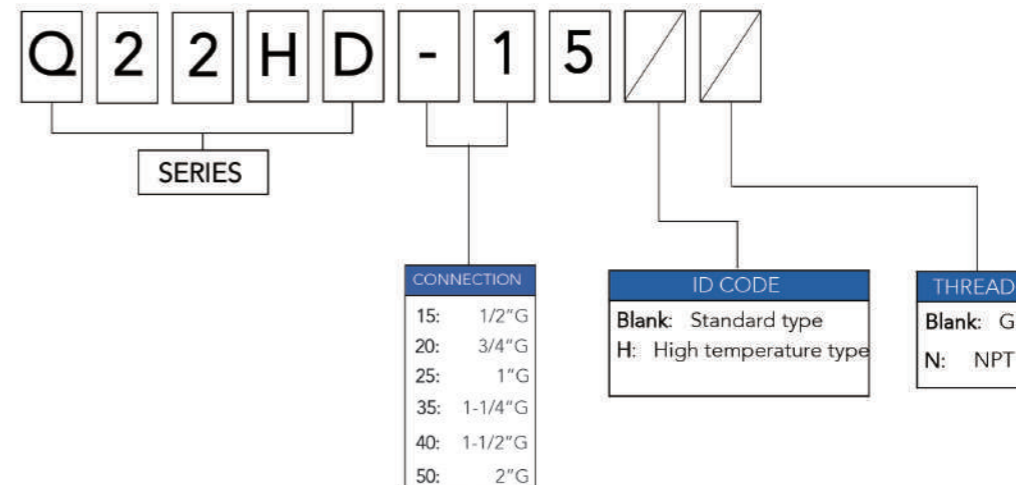
- Low starting pressure of the valve, close the high sensitivity, good sealing performance, any imports direction.
- Can be installed at **any Angle** and sealed at two-way at the same time, which **cannot be affected by the working condition and flow direction of medium**
- Now widely used in food, medicine, industry, washing, petrochemical, metallurgy, spray, vehicles and other machinery and equipment.



Technical Parameter

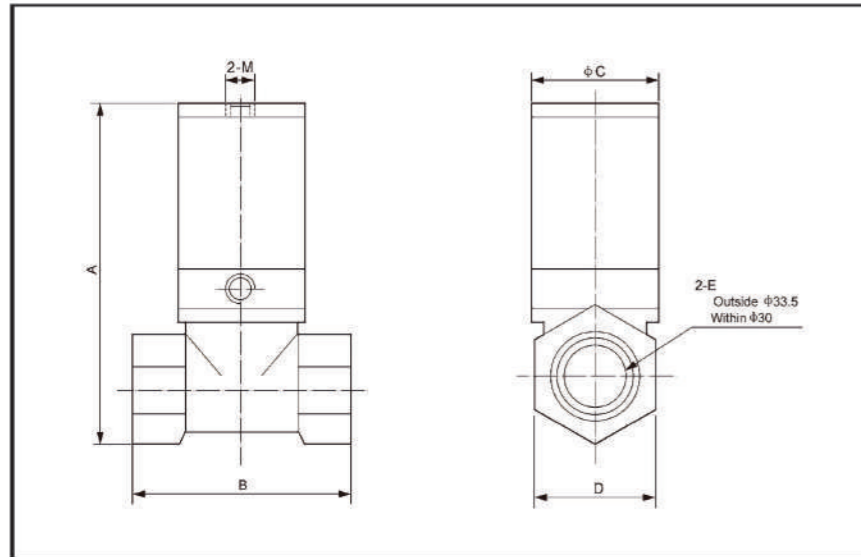
Model	Q22HD-15	Q22HD-20	Q22HD-25	Q22HD-35	Q22HD-40	Q22HD-50
Nominal Diameter	15	20	25	32	40	50
Port Size	1/2"	3/4"	1"	1 1/4"	1 1/2"	2"
Working Medium	Air, water, oil, liquefied petroleum gas, lighter viscosity fluid					
Working Pressure	0.2~0.6 MPa					
Medium and Ambient Temperature	-5~60°C, -5~150°C (High temperature type)					
CV (Coefficient Values)	4.7	5.8	11.6	28.9	29.0	46.2

Ordering Code



Order Example:
 Q22HD series N.C. 2/2 ways solenoid valve, 3/4" port size, BSPP (G) thread.
 SENYA part#Q22HD-15

Dimensions Sheet (mm)



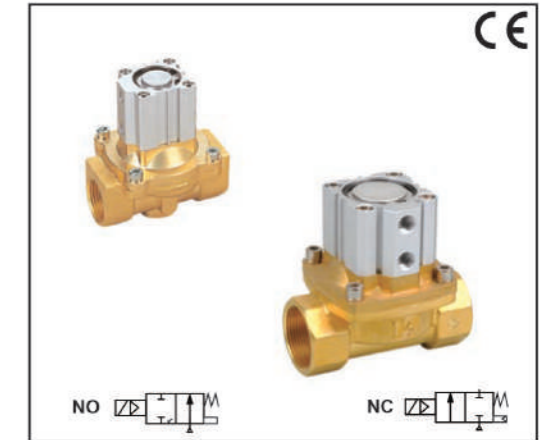
Model	A	B	C	D	M	E	Weight (g)
Q22HD-15	96	47	31	26	G1/8	G1/2	250
Q22HD-20	102	54	31	33	G1/8	G3/4	330
Q22HD-25	115	66	38	39.5	G1/8	G1	490
Q22HD-35	143	77	46	48	G1/8	G1 1/4	820
Q22HD-40	160	86	56	54	G1/8	G1 1/2	1050
Q22HD-50	182	116	69	67	G1/8	G2	1680

Specifications (Metric units)

Pipe Size (mm)	Orifice Size (mm)	CV Flow Factor	Operating Pressure Differential (Bar)						Max. Fluid Temp. °C		Stainless Steel Seat and Plastic Actuator	Full Stainless Steel 304	Watt Rating/ Class of Coil Insulation			
			Max. Working Pressure			Control Pressure			AC	DC			Catalog Number	Catalog Number	AC	DC
			Min.	Air-Inert Gas	Water	Min.	Max.	less 50 CST								
NORMALLY CLOSED (Closed when de-energized)																
1/2"	15	4.6	2	6	6	6	3	6	180	180	Q22HD-15	-	-	-		
3/4"	20	5.8	2	6	6	6	3	6	180	180	Q22HD-20	-	-	-		
1"	25	11.6	2	6	6	6	3	6	180	180	Q22HD-25	-	-	-		
1 1/4"	32	28.9	2	6	6	6	3	6	180	180	Q22HD-35	-	-	-		
1 1/2"	40	28.9	2	6	6	6	3	6	180	180	Q22HD-40	-	-	-		
2"	50	46.2	2	6	6	6	3	6	180	180	Q22HD-50	-	-	-		

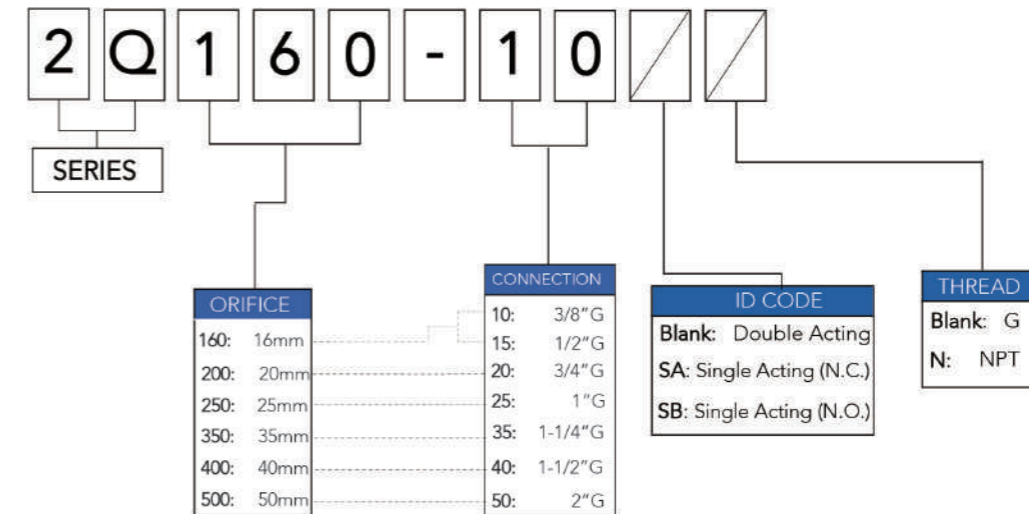
Features

- Low starting pressure of the valve, close the high sensitivity, good sealing performance, any imports direction.
- Category deadline, plate, single and double acting control structure.
- Now widely used in food, medicine, industry, washing, petrochemical, metallurgy, spray, vehicles and other machinery and equipment.
- Medium temperature: -10~+180 °C .



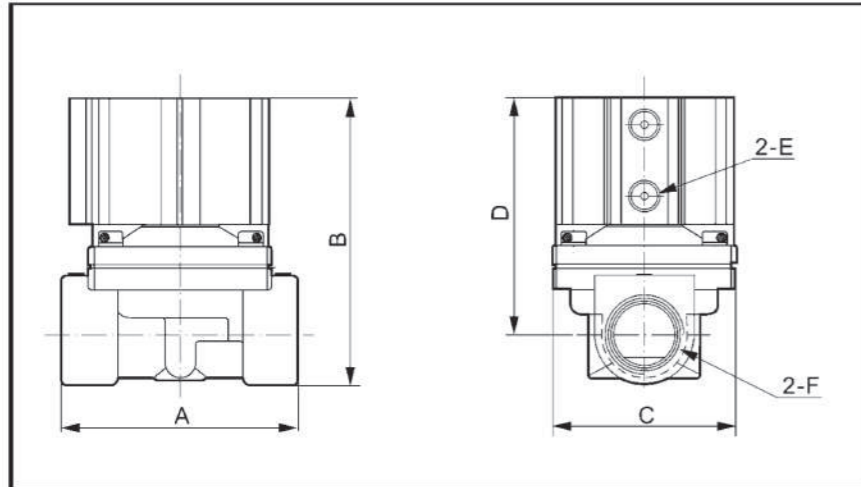
Model	2Q160-10/15	2Q200-20	2Q250-25	2Q350-35	2Q400-40	2Q500-50
Orifice	16mm	20mm	25mm	35mm	40mm	50mm
CV Value	4.8	12	7.6	24	29	48
Port Size	3/8" / 1/2"	3/4"	1"	1 1/4"	1 1/2"	2"
Working-pressure Range	0-0.7 Mpa		Operating Temperature Range		-5~100°C	
Max. Pressure Resistance	1.05 Mpa		Control Pressure Range		0.3-0.6 Mpa	
Material of Oil Seal	PTFE					
Actuator Port Size	2*M5	2*G1/8"	2*G1/8"	2*G1/4"	2*G1/4"	2*G1/4"
Actuator Bore Size	20 mm	20 mm	32 mm	50 mm	50 mm	63 mm

Ordering Code



Order Example:
 2Q series double acting type 2/2 ways pneumatic pilot valve, 3/4" port size, BSPP (G) thread.
 SENYA part#2Q250-25

Dimensions Sheet (mm)



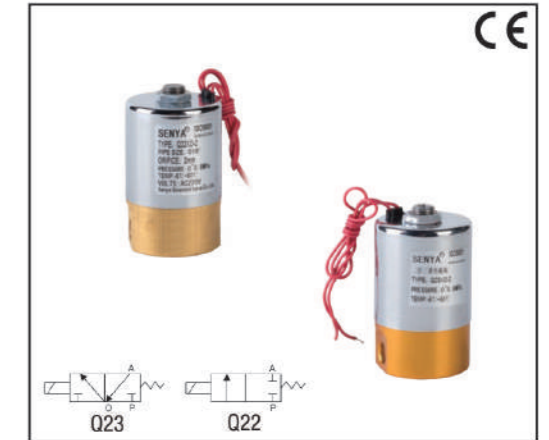
Model	A	B	C	D	E	F(G thread)
2Q160-10	66	83	57	70.5	M5	1/4"
2Q160-15	66	83	57	70.5	M5	1/2"
2Q200-20	92	108	78	87.5	1/8"	3/4"
2Q250-25	92	108	78	87.5	1/8"	1"
2Q350-35	125	125	95	100.5	1/4"	1 1/4"
2Q400-40	125	131	95	102.5	1/4"	1 1/2"
2Q500-50	168	152	125	117	1/4"	2"
2Q160-10SA/SB	66	95	57	70.5	M5	1/4"
2Q160-15SA/SB	66	95	57	70.5	M5	1/2"
2Q200-20SA/SB	67	100	78	87.5	1/8"	3/4"
2Q250-25SA/SB	83	108	78	87.5	1/8"	1"
2Q350-35SA/SB	105	142	87	100.5	1/4"	1 1/4"
2Q400-40SA/SB	105	150	87	102.5	1/4"	1 1/2"
2Q500-50SA/SB	130	182	95	117	1/4"	2"

Specifications (Metric units)

Pipe Size (mm)	Orifice Size (mm)	CV Flow Factor	Operating Pressure Differential (Bar)						Max. Fluid Temp. °C		Stainless Steel Seat and Plastic Actuator	Full Stainless Steel 304	Watt Rating/Class of Coil Insulation	
			Max. Working Pressure			Control Pressure			AC	DC			AC	DC
			Min.	Air-Inert Gas	Water	Light Oil less 50 CST	Min.	Max.						
NORMALLY CLOSED (Closed when de-energized)														
1/4"	16	4.8	0	7	7	7	3	6	180	180	2Q160-10 or 2Q160-10 SA/SB	-	-	-
1/2"	16	4.8	0	7	7	7	3	6	180	180	2Q160-15 or 2Q160-15 SA/SB	-	-	-
3/4"	20	7.6	0	7	7	7	3	6	180	180	2Q200-20 or 2Q200-20 SA/SB	-	-	-
1"	25	12.0	0	7	7	7	3	6	180	180	2Q250-25 or 2Q250-25 SA/SB	-	-	-
1 1/4"	35	24.0	0	7	7	7	3	6	180	180	2Q350-35 or 2Q350-35 SA/SB	-	-	-
1 1/2"	40	29.0	0	7	7	7	3	6	180	180	2Q400-40 or 2Q400-40 SA/SB	-	-	-
2"	50	48.0	0	7	7	7	3	6	180	180	2Q500-50 or 2Q500-50 SA/SB	-	-	-

Features

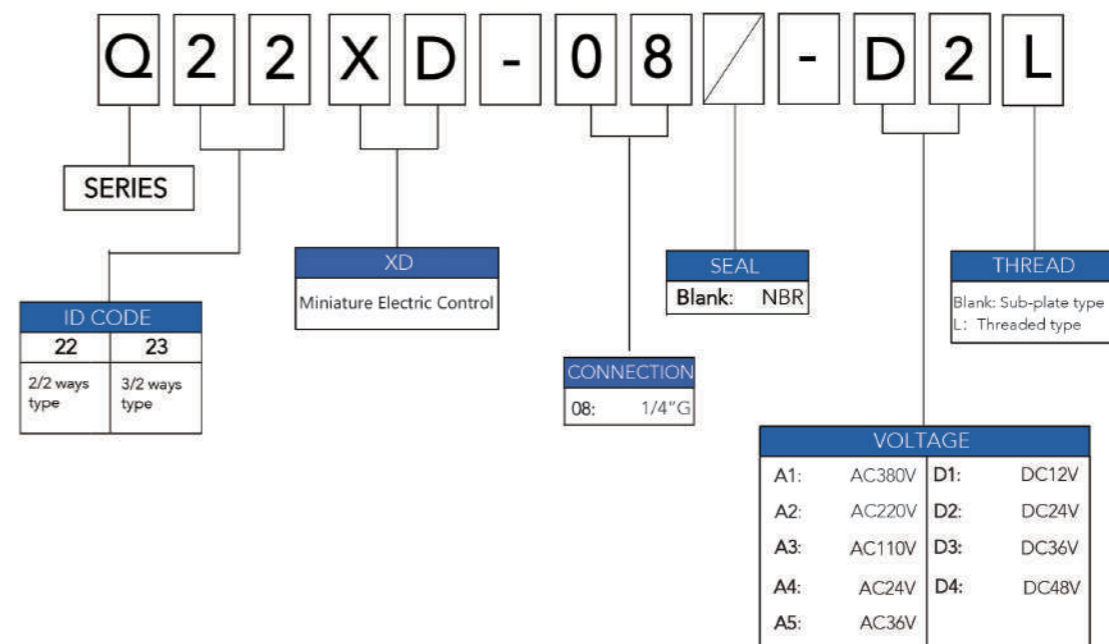
- Q23XD type solenoid valve is light flux reversing component, it's usually used as the piloted heavy capacity reversing valve and control valve of pneumatic direct route, it's also separately control the actuator of least air consumption.
- Q22XD type solenoid valve mainly used in control the on, off of gas flow, it's usually used as solenoid valve.



Electrical

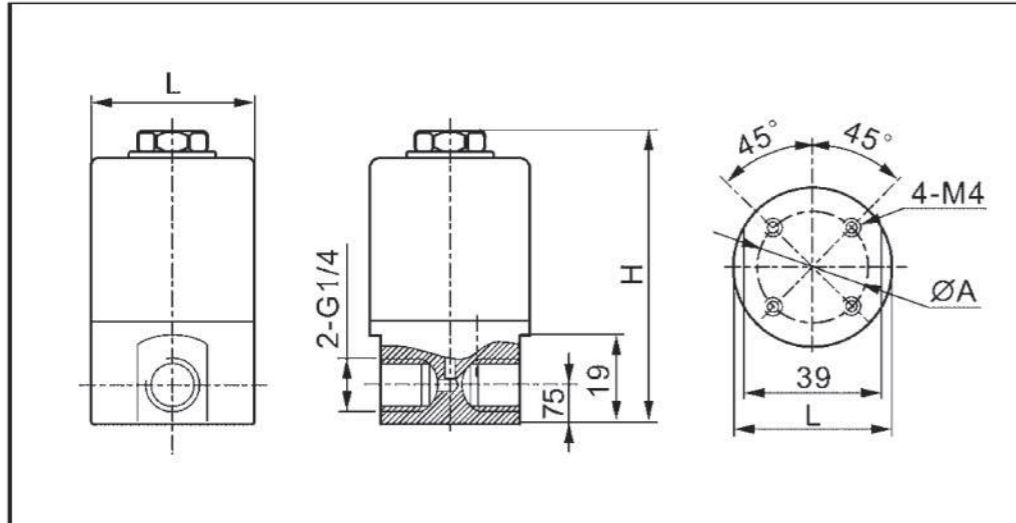
Standard Coil	Watt Rating and Power Consumption				Spare Coil Part Number			
	Class of Insulation	DC Watt	AC		General Purpose		Explosionproof	
			Watt	VA Holdin	VA Inrus	AC	DC	AC
H/F	5	7	13	24	XD-AC	XD-DC	-	-
-	-	-	-	-	-	-	-	-
-	-	-	-	-	-	-	-	-

Ordering Code



Order Example:
 Q series direct acting 2/2 ways solenoid valve, 1/4" port size, NBR seals, DC24V, thread type
 SENYA part# Q22XD-08-D2L

Dimensions Sheet (mm)



Model	A	H	L
Q22XD-08-D2L	42	73	31
Q23XD-08-D2L	42	73	31

IMPORTANT: Valves may be mounted in any position, except as noted in specifications table.

Model	Q22XD-08-D2L	Q23XD-08-D2L
Working Pressure	0-0.8MPa	
Working Temperature	-5~40°C	
Medium Temperature	-5~50°C	
Reversing Time	≤ 40 ms	
Life Cycle	≥ Three Million Times	
Voltage	AC : 220V, 110V, 36V, 24V DC : 110V, 48V, 36V, 24V, 12V	

Specifications (Metric units)

Pipe Size (mm)	Orifice Size (mm)	CV Flow Factor	Operating Pressure Differential (Bar)						Max. Fluid Temp. °C		Brass	Stainless Steel 304	Watt Rating/Class of Coil Insulation			
			Max. AC			Max. DC			AC	DC			Catalog Number	Catalog Number	AC	DC
			Min.	Air-Inert Gas	Water	Light Oil less 50 CST	Air-Inert Gas	Water								
NORMALLY CLOSED (Closed when de-energized)																
1/4	2.0	4.8	0	8	8	-	8	8	-	50	50	Q22XD-08-D2L	-	-	-	
1/4	2.0	4.8	0	8	8	-	8	8	-	50	50	Q23XD-08-D2L	-	-	-	

**Note: Standard Voltages must be specified when ordering. Other voltages please consult SENYA staff for more details*

Features

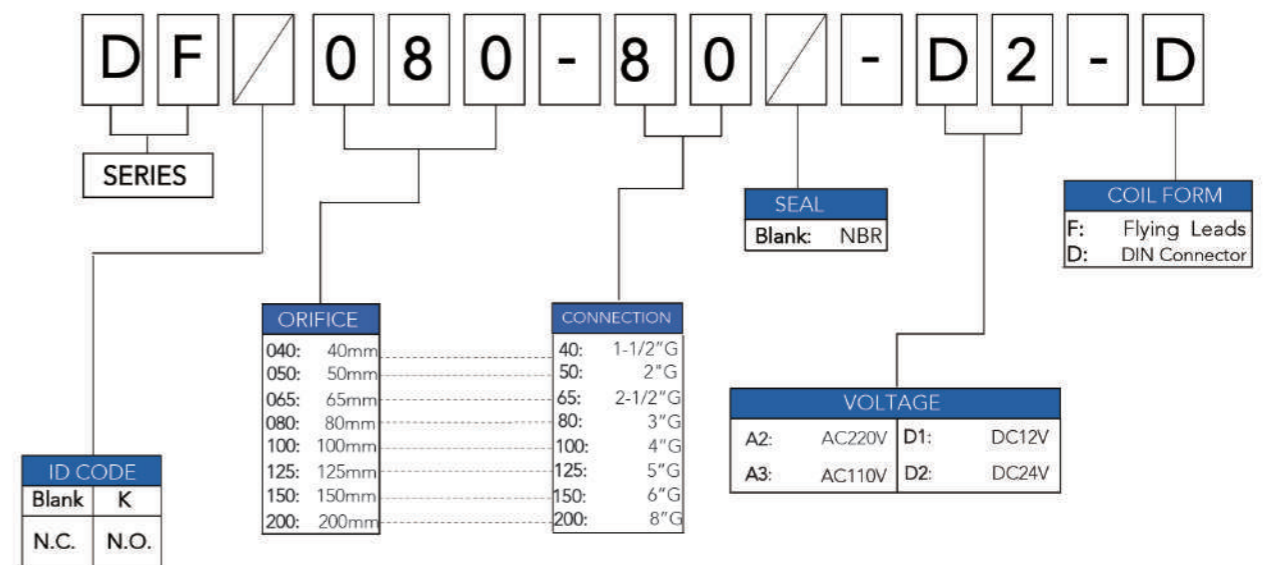
- Flange mounting to fit some engineering application.
- Reliable, proven design with high flows.
- Direct acting design, it has strong resistance to impurities in the medium.



Electrical

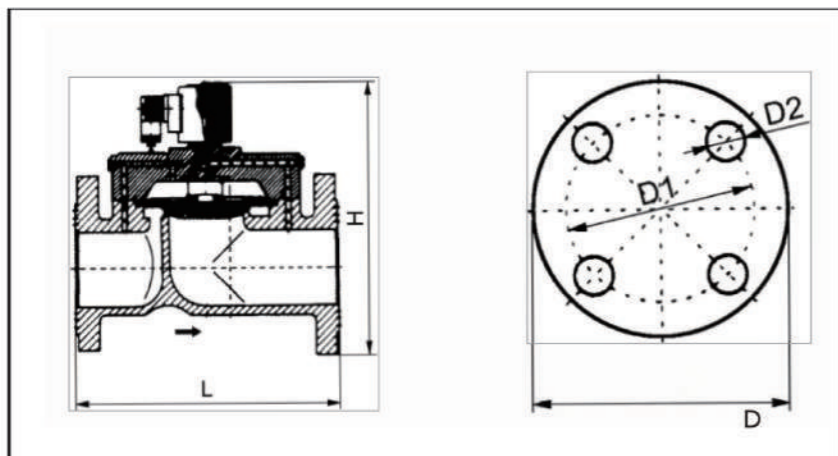
Standard Coil	Watt Rating and Power Consumption				Spare Coil Part Number			
	DC		AC		General Purpose		Explosionproof	
	DC12V Watt	DC24V Watt	AC110V Watt	AC220V Watt	AC	DC	AC	DC
H/F	14W	12W	27VA	28VA	XHD-DF-AC	XHD-DF-DC	-	-
-	-	-	-	-	-	-	-	-
-	-	-	-	-	-	-	-	-

Ordering Code



Order Example:
 DF series direct acting 2/2 ways solenoid valve, 4" port size, NBR seals, DC24V, DIN connector, Flanged.
 SENYA part#DF080-80-D2-D

Dimensions Sheet (mm)



Model	L	H	Flange D	D1	D2
DF040-40-A2-D	165	196	150	Φ110	4-Φ18
DF050-50-A2-D	195	200	165	Φ125	4-Φ18
DF065-80-A2-D	256	280	185	Φ145	4-Φ18
DF080-80-A2-D	277	287	200	Φ160	8-Φ18
DF100-100-A2-D	350	330	220	Φ180	8-Φ18
DF125-125-A2-D	425	437	250	Φ210	8-Φ18
DF150-150-A2-D	450	460	285	Φ240	8-Φ22
DF200-200-A2-D	560	547	340	Φ295	12-Φ22

IMPORTANT: Valves must be mounted in horizontal position

Specifications (Metric units)

Pipe Size (mm)	Orifice Size (mm)	CV Flow Factor	Operating Pressure Differential (Bar)						Max. Fluid Temp. °C		Brass	Stainless Steel 304	Watt Rating/ Class of Coil Insulation			
			Max. AC			Max. DC			AC	DC			Catalog Number	Catalog Number	AC	DC
			Min.	Air-Inert Gas	Water	Light Oil less 50 CST	Air-Inert Gas	Water								
NORMALLY CLOSED (Closed when de-energized)																
40	21	24	0	8	8	7	8	8	4	80	80	DF040-40-A2-D	-	6.1/F	11.6/F	
50	35	30	0	8	8	7	8	8	-	80	80	DF050-50-A2-D	-	10.1/F	11.6/F	
65	35	53	0	8	8	7	8	8	5	80	80	DF065-80-A2-D	-	6.1/F	11.6/F	
80	40	82	0	8	8	7	8	8	5	80	80	DF080-80-A2-D	-	17.1/F	-	
100	40	128	0	8	8	-	8	8	-	80	80	DF100-100-A2-D	-	6.1/F	11.6/F	
125	40	222	0	8	8	7	8	8	5	80	80	DF125-125-A2-D	-	10.1/F	11.6/F	
150	40	292	0	8	8	7	8	8	5	80	80	DF150-150-A2-D	-	1/F	-	
200	40	29	0	8	8	-	8	8	-	80	80	DF200-200-A2-D	-	6.1/F	11.6/F	

***Note:** Standard Voltages must be specified when ordering. Other voltages please consult SENYA staff for more details

Features

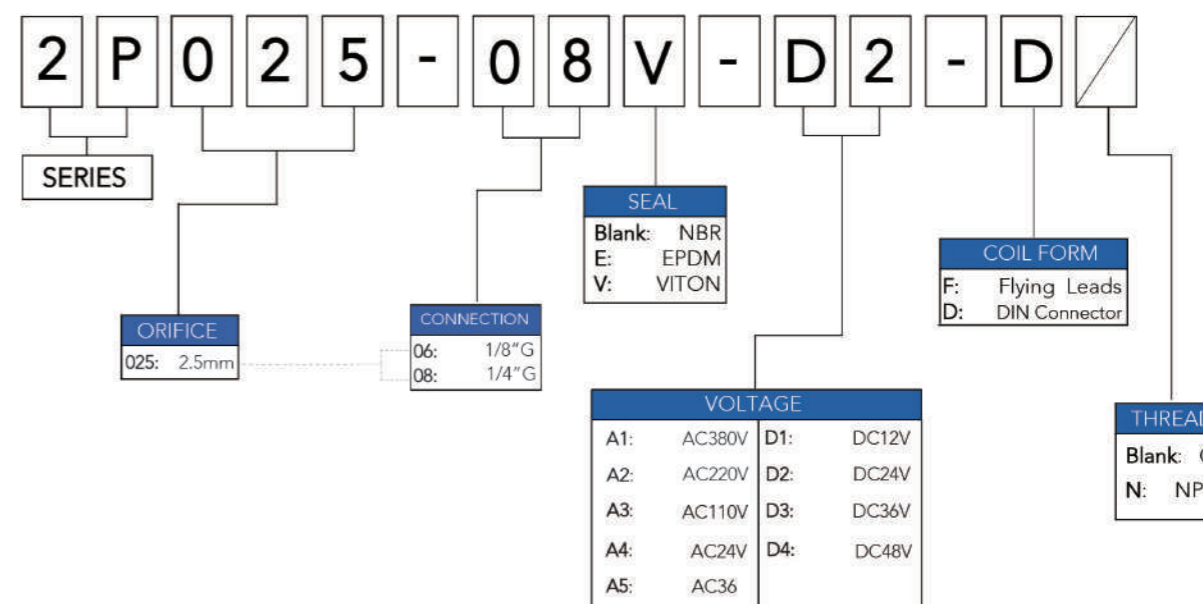
- Engineering polymer valve bodies with an economic option.
- Compact design, anti-corrosion, and easy for installation.
- Direct acting design, it has strong resistance to impurities in the medium.



Electrical

Standard Coil Class of Insulation	Watt Rating and Power Consumption				Spare Coil Part Number			
	DC		AC		General Purpose		Explosionproof	
	DC12V Watt	DC24V Watt	AC110V Watt	AC220V Watt	AC	DC	AC	DC
H/F	7.5W	6W	10VA	9VA	XHD-2P-AC	XHD-2P-DC	-	-
-	-	-	-	-	-	-	-	-
-	-	-	-	-	-	-	-	-

Ordering Code



Order Example:
 2P series direct acting 2/2 ways solenoid valve, 1/8" port size, VITON seals, DC24V, DIN connector, BSPP (G) thread.
SENYA part#2P025-06V-D2-D



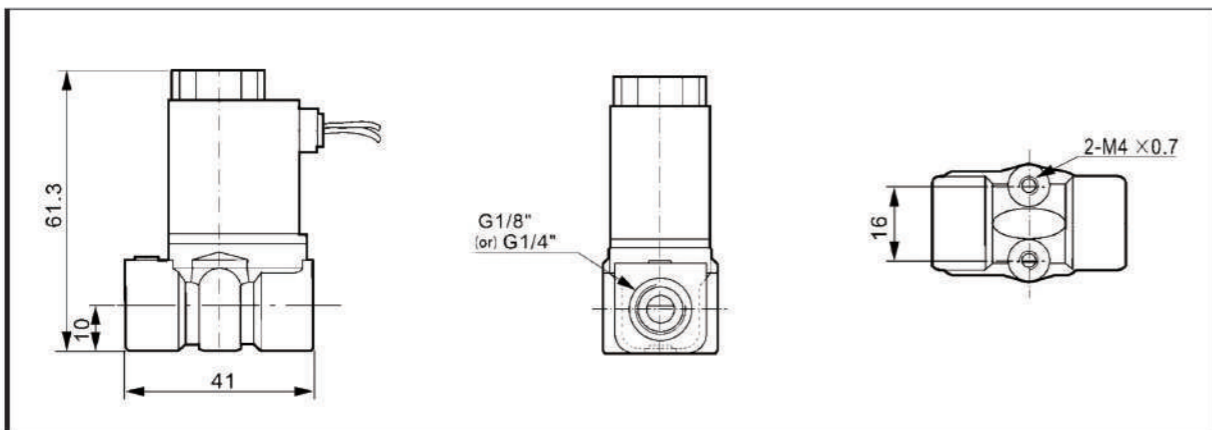
General Service Solenoid Valves

Direct Acting
Polymer bodies
1/8" & 1/4" BSPP

2/2
SERIES
2P

2-WAY

Dimensions Sheet (mm)



Model	2P025-06-D2-D	2P025-08-D2-D
Medium	Air, Water, Oil, Gas	
Working Pattern	Direct Drive Type	
Default Working Type	Normal Close Type	
Orifice	2.5mm	
CV Value	0.23	
Port Size	1/8"	1/4"
Operation Fluid Viscosity	20 CST (Below)	
Working-pressure	0-0.7 Mpa (0-102 Psi)	
Max. Pressure Resistance	1.05 Mpa (152 Psi)	
Operating Temperature Range	-5~80°C	
Voltage Range	±10%	
Power Consumption	AC: 7VA/50Hz; 9VA/50Hz, DC:6W	
Material of Body	Engineering Plastic Steel	
Material of Oil Seal	NBR, EPDM (or) VITON	

Specifications (Metric units)

Pipe Size (mm)	Orifice Size (mm)	CV Flow Factor	Operating Pressure Differential (Bar)						Max. Fluid Temp. °C		Brass Body Catalog Number	Stainless Steel 304 Catalog Number	Watt Rating/ Class of Coil Insulation		
			Max. AC			Max. DC			AC	DC			AC	DC	
			Min.	Air-Inert Gas	Water	Light Oil less 20 CST	Air-Inert Gas	Water							Light Oil less 20 CST
1/8	2.5	0.23	0	7	7	7	7	7	4	80	80	2P025-06-D2-D	-	6.1/F	6.1/F
1/4	2.5	0.23	0	7	7	7	7	7	4	80	80	2P025-08-D2-D	-	6.1/F	6.1/F

*Note: Standard Voltages must be specified when ordering. Other voltages please consult SENYA staff for more details

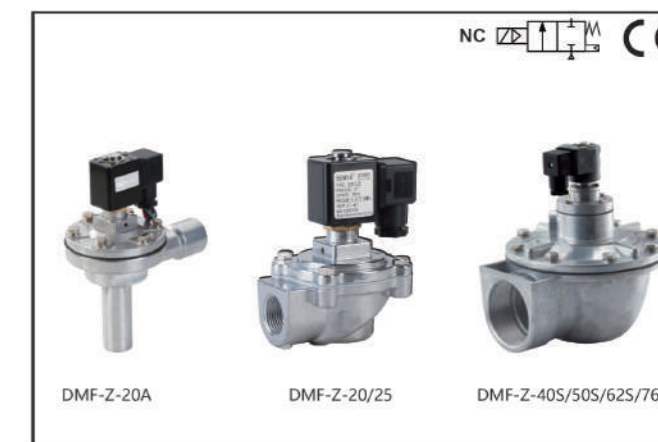


2-WAY
2/2
SERIES
DMF-Z

Direct Acting
Right Angle Pulse Valves
Cast Aluminum
φ 20- φ 76

Features

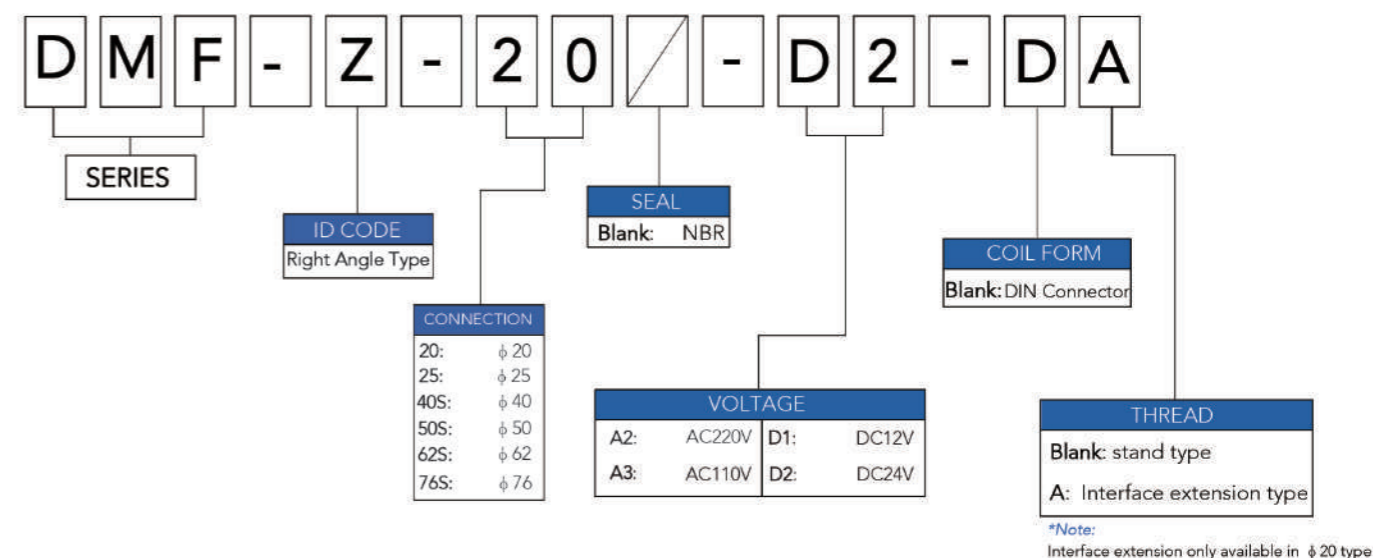
- Pulse valve special designed in dust-free industry.
- Long Lifetime and durable in use.
- Better production protection and high resistance in bad working environment.



Electrical

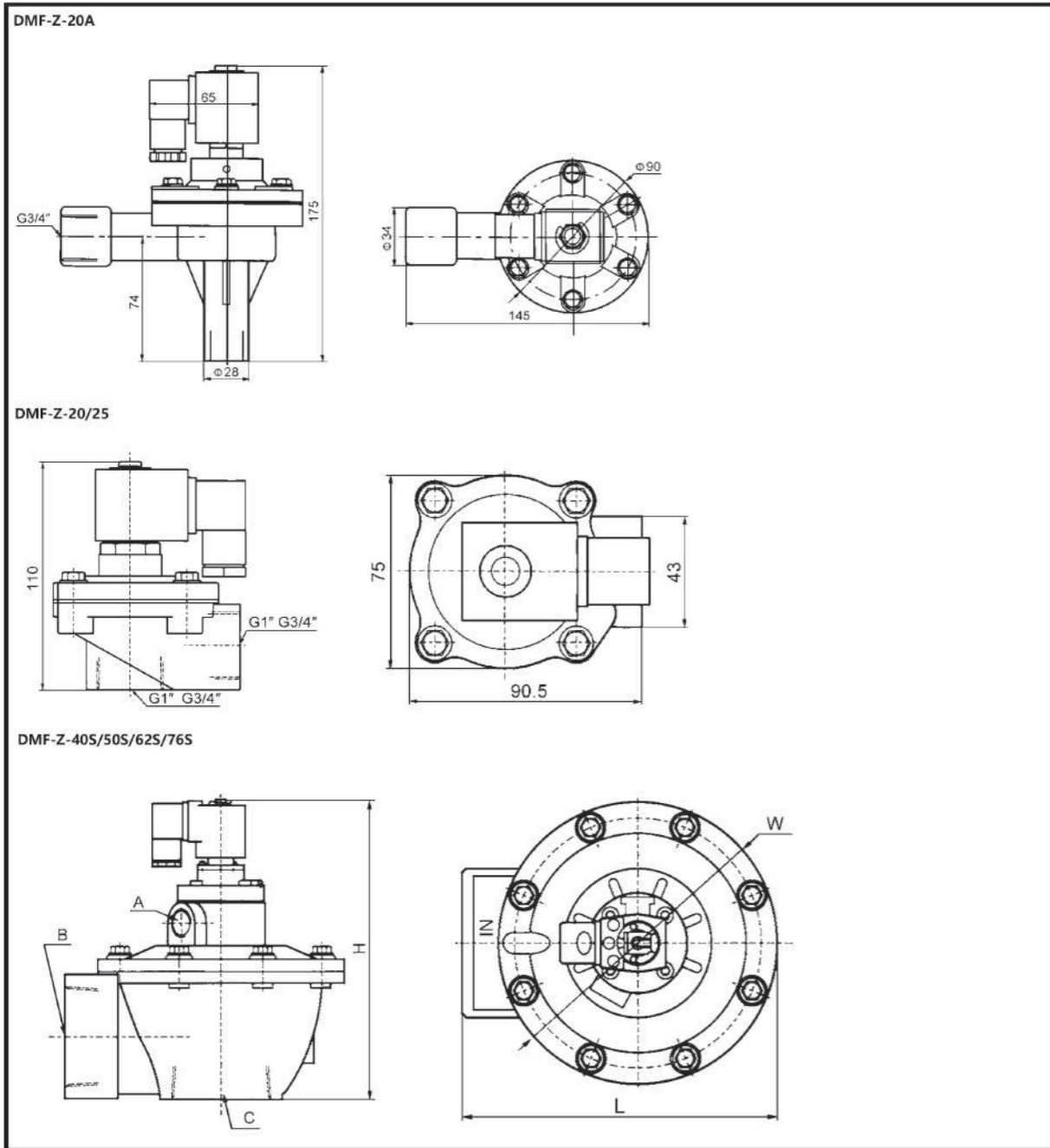
Standard Coil Class of Insulation	Watt Rating and Power Consumption				Spare Coil Part Number			
	DC		AC		General Purpose		Explosionproof	
	DC12V Watt	DC24V Watt	AC110V Watt	AC220V Watt	AC	DC	AC	DC
H/F	10W	11W	15VA	17VA	XHD-Z-AC	XHD-Z-DC	-	-
-	-	-	-	-	-	-	-	-
-	-	-	-	-	-	-	-	-

Ordering Code



Order Example:
DMF-Z series pulse valve, φ 40 port size, NBR seals, AC220, DIN connector, BSPP (G) thread.
SENYA part#DMF-Z-40S-D2-D

Dimensions Sheet (mm)



Model	A	B	C	L	W	H
DMF-Z-40S-D2	G1/8"	G1/2"	G1/2"	135.5	128	173
DMF-Z-50S-D2	G3/8"	G2"	G2"	210	185	202
DMF-Z-62S-D2	G3/8"	G2 1/2"	G2 1/2"	210	185	222
DMF-Z-76S-D2	G3/8"	G3"	G3"	230.5	200	245

Parameter Table

Model	DMF-Z-20	DMF-Z-25	DMF-Z-40S	DMF-Z-50S	DMF-Z-62S	DMF-Z-76S
Operating Pressure	0.3~0.8MPa					
Ambient Temperature	-5~55°C					
Relative Humidity	< 85%					
Working Medium	Clean Air					
Voltage	AC110V/AC220V/DC24V					
Diaphragm Material&Life	NBR; Blowing Over One Million Cycles					
Orifice	φ20	φ25	φ40	φ50	φ62	φ76
Connection Port	G3/4"	G1"	G1 1/2"	G2"	G2 1/2"	G3"
Protection Class	IP65					

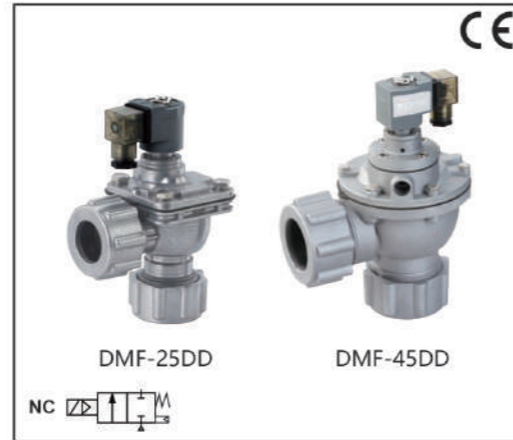
Specifications (Metric units)

Pipe Size (mm)	Orifice Size (mm)	CV	Flow Factor	Operating Pressure Differential (Bar)						Max. Fluid Temp. °C		Casting Aluminum Body		Stainless Steel 304		Watt Rating/ Class of Coil Insulation	
				Max. AC			Max. DC			AC	DC	Catalog Number	Catalog Number	AC	DC		
				Min.	Air-Inert Gas	Light Oil less 20 CST	Air-Inert Gas	Water	Light Oil less 20 CST								
3/4	20	-	3	8	-	-	8	-	-	55	55	DMF-Z-20-D2	-	6.1/F	6.1/F		
1	25	-	3	8	-	-	8	-	-	55	55	DMF-Z-25-D2	-	6.1/F	6.1/F		
1-1/2	40	-	3	8	-	-	8	-	-	55	55	DMF-Z-40S-D2	-	6.1/F	6.1/F		
2	50	-	3	8	-	-	8	-	-	55	55	DMF-Z-50S-D2	-	6.1/F	6.1/F		
2-1/2	62	-	3	8	-	-	8	-	-	55	55	DMF-Z-62S-D2	-	6.1/F	6.1/F		
3	76	-	3	8	-	-	8	-	-	55	55	DMF-Z-76S-D2	-	6.1/F	6.1/F		

*Note: Standard Voltages must be specified when ordering. Other voltages please consult SENYA staff for more details

Features

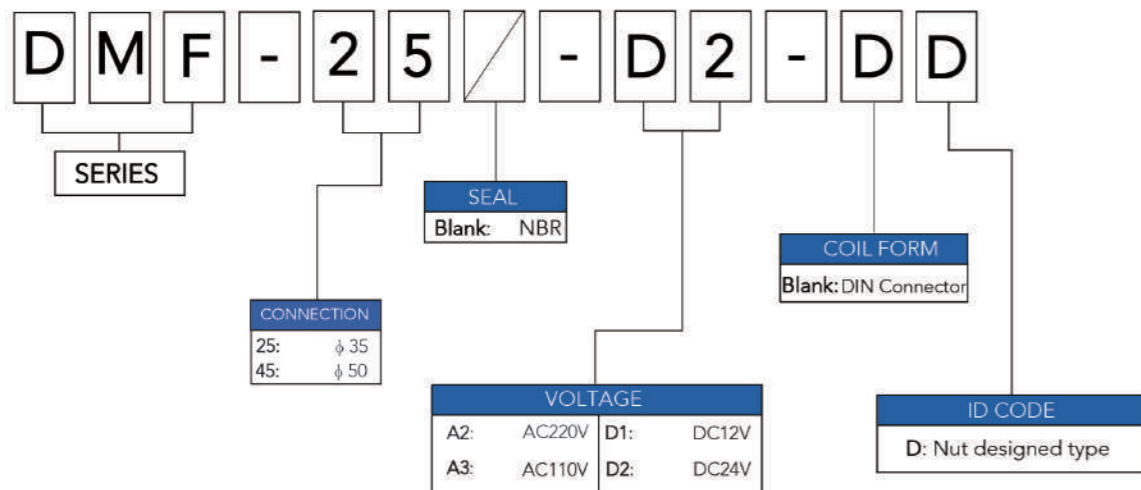
- Pulse valve special designed in dust-free industry.
- Long Lifetime and durable in use.
- Better production protection and high resistance in bad working environment.
- Special nut design could help easy pipeline installation.



Electrical

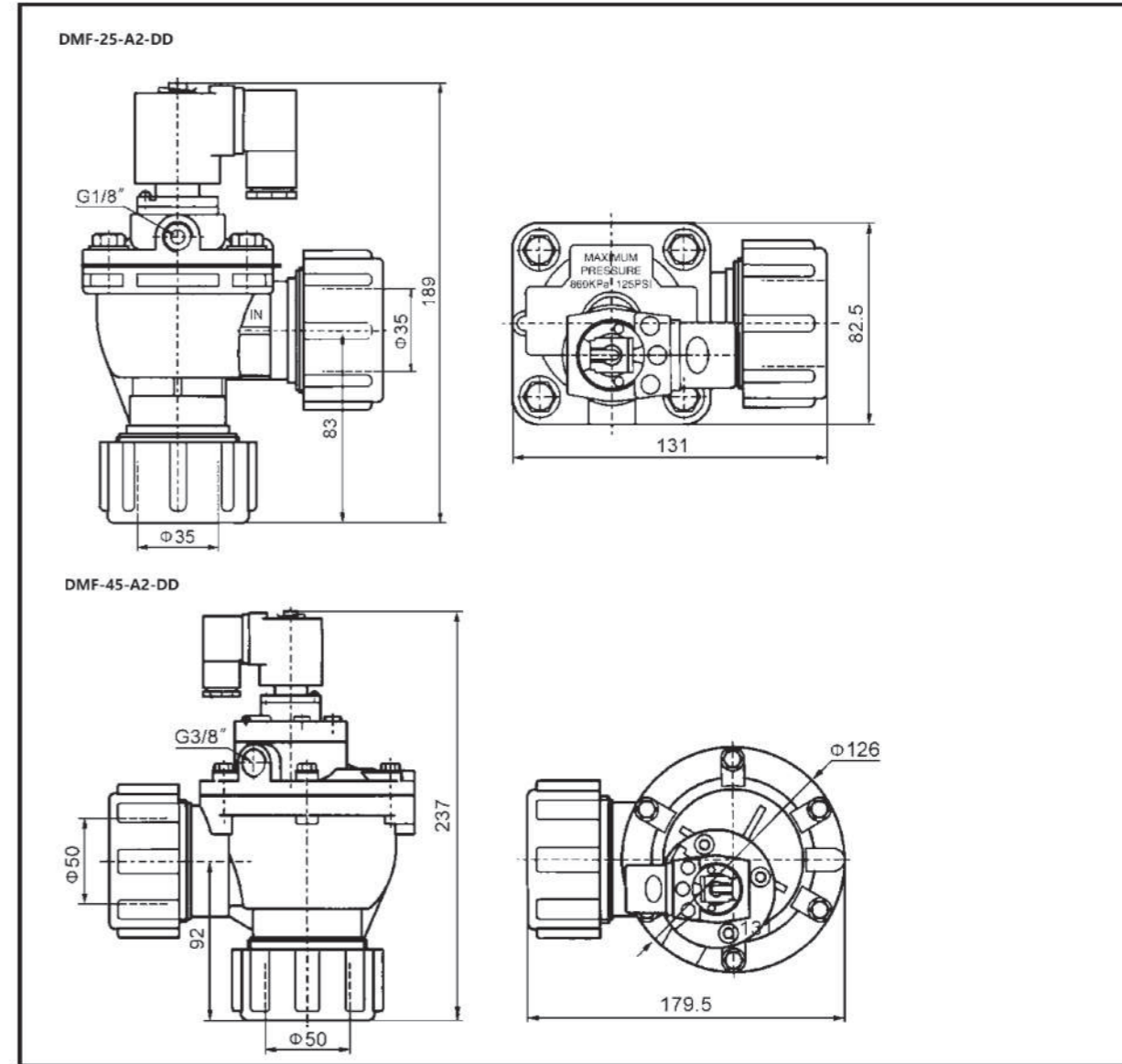
Standard Coil Class of Insulation	Watt Rating and Power Consumption				Spare Coil Part Number			
	DC		AC		General Purpose		Explosionproof	
	DC12V Watt	DC24V Watt	AC110V Watt	AC220V Watt	AC	DC	AC	DC
H/F	10W	11W	15VA	17VA	XHD-DD-AC	XHD-DD-DC	-	-
-	-	-	-	-	-	-	-	-
-	-	-	-	-	-	-	-	-

Ordering Code



Order Example:
 DMF series pulse valve, φ 50 connection size, NBR seals, AC220V, DIN connector
 SENYA part#DMF-45-A2-DD

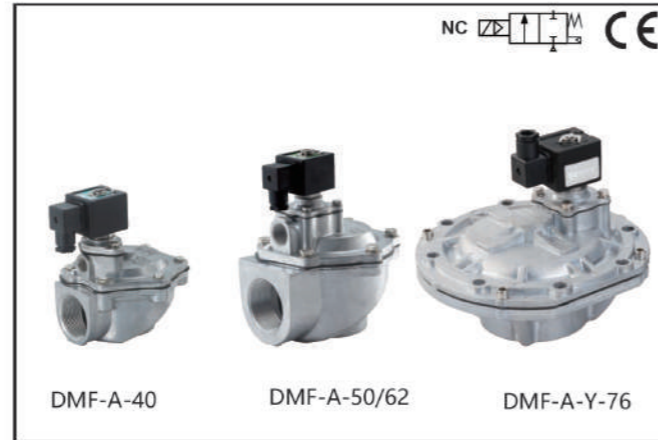
Dimensions Sheet (mm)



Model	DMF-25-A2-DD	DMF-45-A2-DD
Operating Pressure	0.3~0.8MPa	
Ambient Temperature	-5~55°C	
Relative Humidity	< 85%	
Working Medium	Clean Air	
Voltage	AC110V/AC220V/DC24V	
Diaphragm Life and Protection Class	Over One Million Cycles; IP65	
Orifice	φ25	φ40
Connection Port	φ35	φ50

Features

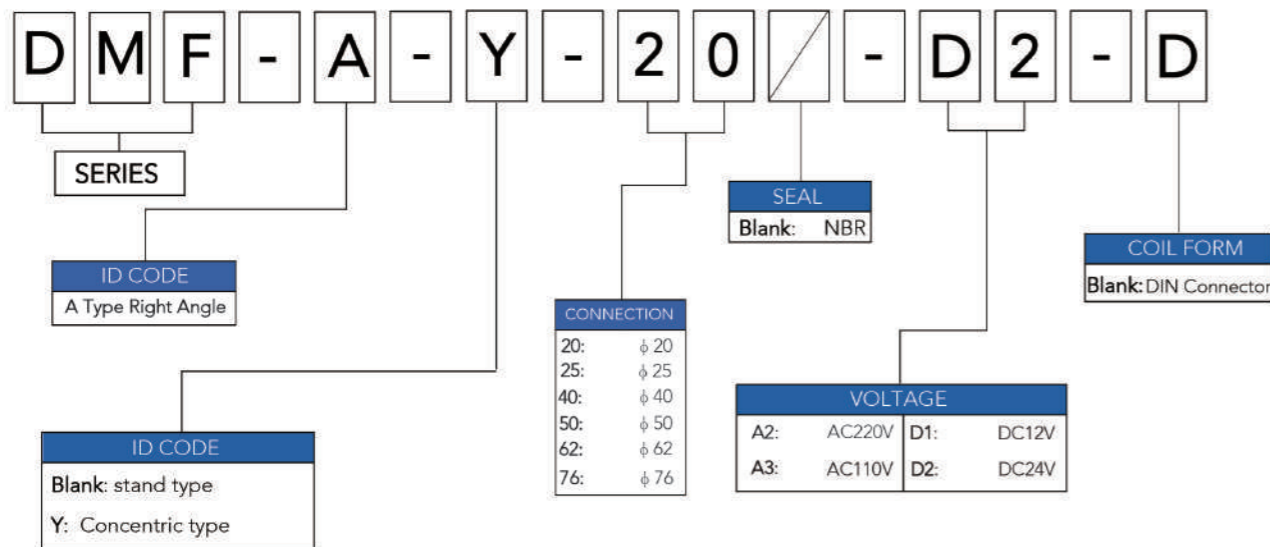
- Pulse valve special designed in dust-free industry.
- Long Lifetime and durable in use.
- Better production protection and high resistance in bad working environment.



Electrical

Standard Coil Class of Insulation	Watt Rating and Power Consumption				Spare Coil Part Number			
	DC		AC		General Purpose		Explosionproof	
	DC12V Watt	DC24V Watt	AC110V Watt	AC220V Watt	AC	DC	AC	DC
H/F	10W	11W	15VA	17VA	XHD-A-AC	XHD-A-DC	-	-
-	-	-	-	-	-	-	-	-
-	-	-	-	-	-	-	-	-

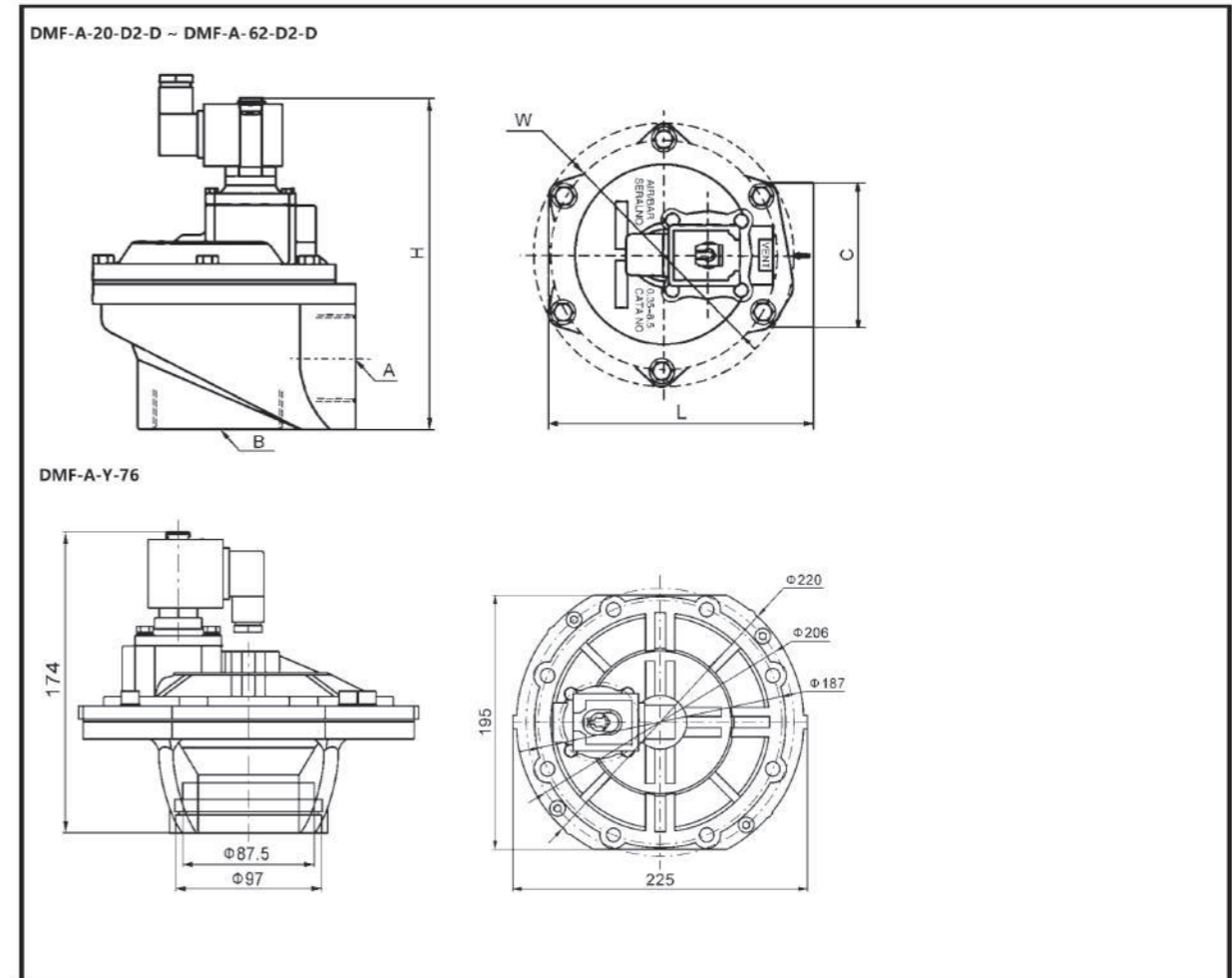
Ordering Code



**Note:*
 Concentric type only available in φ 76 type

Order Example:
 DMF-A series pulse valve, φ 40 port size, NBR seals, AC220, DIN connector, BSPP (G) thread. *SENYA part# DMF-A-40-D2-D*

Dimensions Sheet (mm)



Model	A	B	C	L	W	H
DMF-A-20-D2-D	G3/4"	G3/4"	43	43	90.5	75
DMF-A-25-D2-D	G1"	G1"	43	43	90.5	75
DMF-A-40-D2-D	G1 1/2"	G1 1/2"	61	61	132	166
DMF-A-50-D2-D	G2"	G2"	91	91	167.5	206
DMF-A-62-D2-D	G2 1/2"	G2 1/2"	91	91	167.5	206

Parameter Table

Model	DMF-A-20	DMF-A-25	DMF-A-40	DMF-A-50	DMF-A-62	DMF-A-Y-76S
Operating Pressure	0.3~0.8MPa					
Ambient Temperature	-5~55°C					
Relative Humidity	< 85%					
Working Medium	Clean Air					
Voltage	AC110V/AC220V/DC24V					
Diaphragm Material&Life	NBR; Blowing Over One Million Cycles					
Orifice	φ20	φ25	φ40	φ50	φ62	φ76
Connection Port	G3/4"	G1"	G1 1/2"	G2"	G2 1/2"	G3"
Protection Class	IP65					

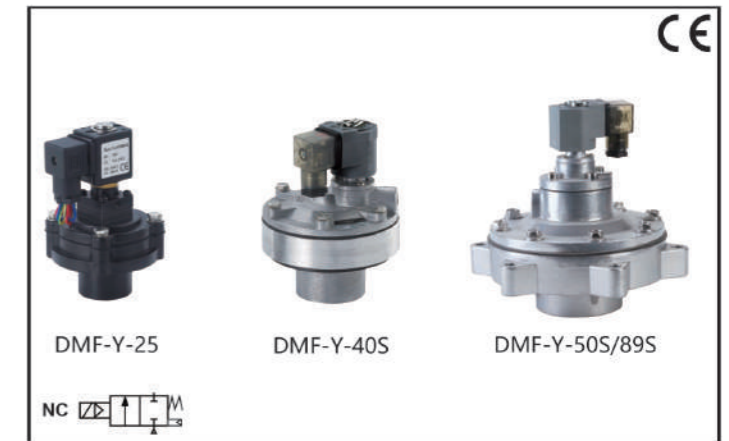
Specifications (Metric units)

Pipe Size (mm)	Orifice Size (mm)	CV Flow Factor	Operating Pressure Differential (Bar)						Max. Fluid Temp. °C		Casting Aluminum Body		Stainless Steel 304		Watt Rating/ Class of Coil Insulation		
			Max. AC			Max. DC			AC	DC	Catalog Number	Catalog Number	AC	DC			
			Min.	Air-Inert Gas	Water	Light Oil less 20 CST	Air-Inert Gas	Water							Light Oil less 20 CST		
3/4	20	-	3	8	-	-	8	-	-	55	55	-	-	DMF-A-20-D2	-	6.1/F	6.1/F
1	25	-	3	8	-	-	8	-	-	55	55	-	-	DMF-A-25-D2	-	6.1/F	6.1/F
1-1/2	40	-	3	8	-	-	8	-	-	55	55	-	-	DMF-A-40-D2	-	6.1/F	6.1/F
2	50	-	3	8	-	-	8	-	-	55	55	-	-	DMF-A-50-D2	-	6.1/F	6.1/F
2-1/2	62	-	3	8	-	-	8	-	-	55	55	-	-	DMF-A-62-D2	-	6.1/F	6.1/F
3	76	-	3	8	-	-	8	-	-	55	55	-	-	DMF-A-Y-76-D2	-	6.1/F	6.1/F

***Note:**
 Standard Voltages must be specified when ordering. Other voltages please consult SENYA staff for more details

Features

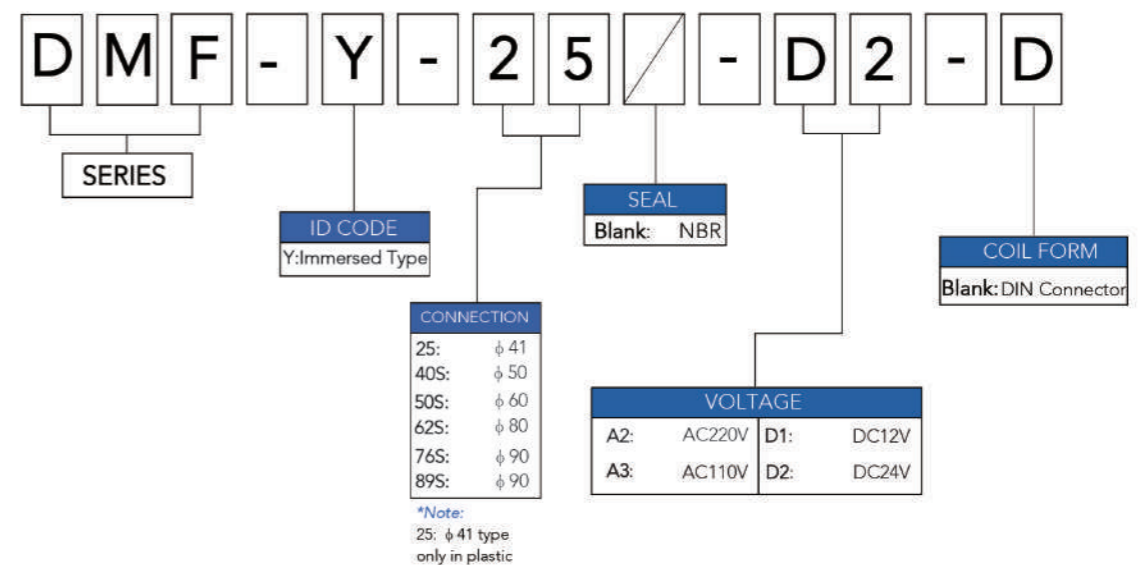
- Pulse valve special designed in dust-free industry.
- Long Lifetime and durable in use.
- Better production protection and high resistance in bad working environment.
- Special nut design could help easy pipeline installation.



Electrical

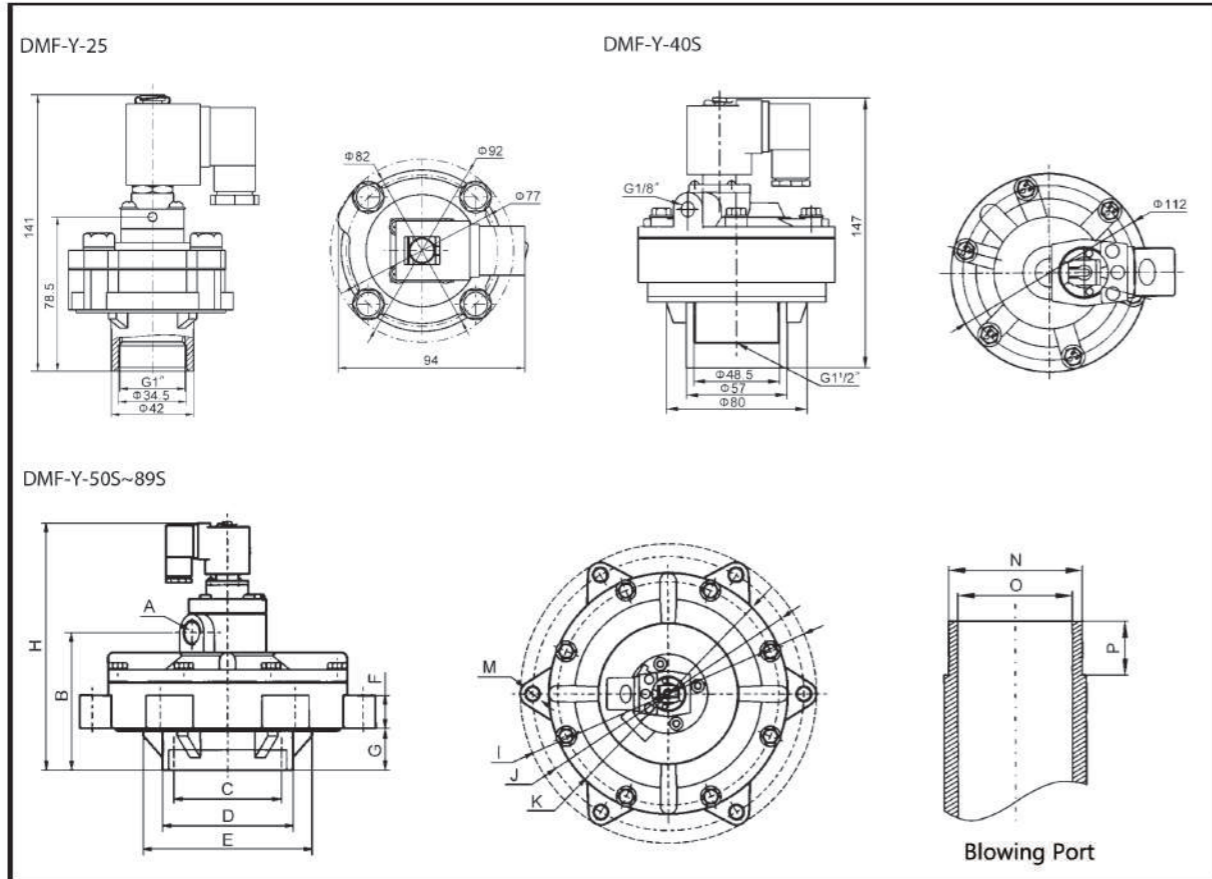
Standard Coil Class of Insulation	Watt Rating and Power Consumption				Spare Coil Part Number			
	DC		AC		General Purpose		Explosionproof	
	DC12V Watt	DC24V Watt	AC110V Watt	AC220V Watt	AC	DC	AC	DC
H/F	10W	11W	15VA	17VA	XHD-Y-AC	XHD-Y-DC	-	-
-	-	-	-	-	-	-	-	-
-	-	-	-	-	-	-	-	-

Ordering Code



Order Example:
 DMF-Y series pulse valve, φ 50 connection size, NBR seals, AC220V, DIN connector
 SENYA part# DMF-Y-40S-A2-DD

Dimensions Sheet (mm)



Model	A	B	C	D	E	F	G	H	I	J	K	M	N	O	P
DMF-Y-50S	G3/8"	99.5	Φ64.5	Φ78.5	Φ118	25	31	187	Φ200	Φ180	Φ159	6-Φ11.5	Φ61.5 ^{+0.44} _{-0.22}	50	43.5
DMF-Y-62S	G3/8"	106.5	Φ80	Φ93.5	Φ145	34.5	35	197	Φ230	Φ208	Φ184	6-Φ11.5	Φ75 ^{+0.44} _{-0.22}	62	44
DMF-Y-76S	G3/8"	113	Φ90	Φ109	Φ141	27	34	205	Φ248	Φ227	Φ200	6-Φ11.5	Φ89 ^{+0.44} _{-0.22}	76	34
DMF-Y-89S	/	/	Φ86	Φ90	Φ158	33.5	50	/	Φ200	Φ176	/	8-Φ11	Φ85 ^{+0.44} _{-0.22}	76	34

Model	DMF-Y-25	DMF-Y-40S	DMF-Y-50S	DMF-Y-62S	DMF-Y-76S	DMF-Y-89S
Operating Pressure	0.3~0.8MPa					
Ambient Temperature	-5~55°C					
Relative Humidity	< 85%					
Working Medium	Clean Air					
Voltage	AC110V/AC220V/DC24V					
Diaphragm Life	Over One Million Cycles					
Orifice	Φ25	Φ45	Φ50	Φ62	Φ76	Φ89
Connection Port	Φ41	Φ50	Φ60	Φ80	Φ90	Φ90

Features

- Pilot-oriented of internal pilot or external pilot.
- Structure in sliding column with good tightness and sensitive reaction.
- Double control solenoid valves have memory function.
- Internal hole adopts special processing technology with the only 3-5 μm thickness of an anti-wear coating, providing little attrition friction, low start pressure and long service life.
- No need to add oil for lubrication.
- Integrate with the manifold to save installation space.



Product Information

Model	V3110-M5 V3110-06	V3120-M5 V3120-06	V3210-06 V3210-08	V3220-06 V3220-08	V3310-08 V3310-10	V3320-08 V3320-10	V3410-10 V3410-15	V3420-10 V3420-15
Weight (g)	102	169	107	303	260	370	443	569
Material of Body	Aluminum alloy							
Valve Type	3 ports and 2 positions							
Thread Type	G thread standard default, PT, NPT thread are available							
Lubrication Notes	Once lubricated used, continue with same medium to optimize valve life span							
DIN Connector	A variety of color options: Black, Translucent Tawny, Transparent							

Specifications

Model	V3110-M5 V3120-M5	V3110-06 V3120-06	V3210-06 V3220-06	V3210-08 V3220-08	V3310-08 V3320-08	V3310-10 V3320-10	V3410-10 V3420-10	V3410-15 V3420-15
Port size	M5	1/8"	1/8"	1/4"	1/4"	3/8"	3/8"	1/2"
Orifice Size (Cv)	10 mm ² Cv=0.56	10.2 mm ² Cv=0.6	14 mm ² Cv=0.78	16 mm ² Cv=0.89	16 mm ² Cv=1.40	30 mm ² Cv=1.68	50 mm ² Cv=2.79	50 mm ² Cv=2.79
Working Medium	Air (to be filtered by 40 μm filter element)							
Acting Type	Internal pilot type / External pilot type							
Reset Type	Air reset / Spring reset							
Lubrication	Not required							
Working Pressure	0.15 - 0.8 Mpa (21 - 114 Psi)							
Max. Proof Pressure	1.2 Mpa (0 - 174 Psi)							
Working Temperature	-5 - 60 (No Freezing)							
Voltage Range	AC : ±15% & DC : ±10%							
Power Consumption	AC220V: 3.5 VA	AC110V: 3.5 VA	AC24V: 4.0 VA	DC24V: 2.5 W	DC12V: 2.5 W			
Insulation & Protection	Class F ; IP65 (DIN40050)							
Connection Form	Line type or Terminal type							
Highest Acting Frequency	5 Cycles / Second							
Shortest Excitation Time	0.05 Second							

Ordering Code

V A 3 2 1 0 / - 0 6 / / / J - N

Series Code	Body Size	Acting Type	Electrical Entry	Thread Standard
V: Spring return series VA: Air return series A: Air Control series	1: 1 series body size 2: 2 series body size 3: 3 series body size 4: 4 series body size	Blank: N.C. H: N.O.	Blank: DIN Connector F: Flying leads (0.5m)	Blank: G P: PT N: NPT

Note: if chooses M5 thread, no need for this code.

Coil Control	VOLTAGE	DIN Connector Type
10: Single Coil Control 20: Double Coils Control	A1: AC380V D1: DC12V A2: AC220V D2: DC24V A3: AC110V A4: AC24V	Blank: Brown Translucent B: Black Non-Translucent J: Translucent

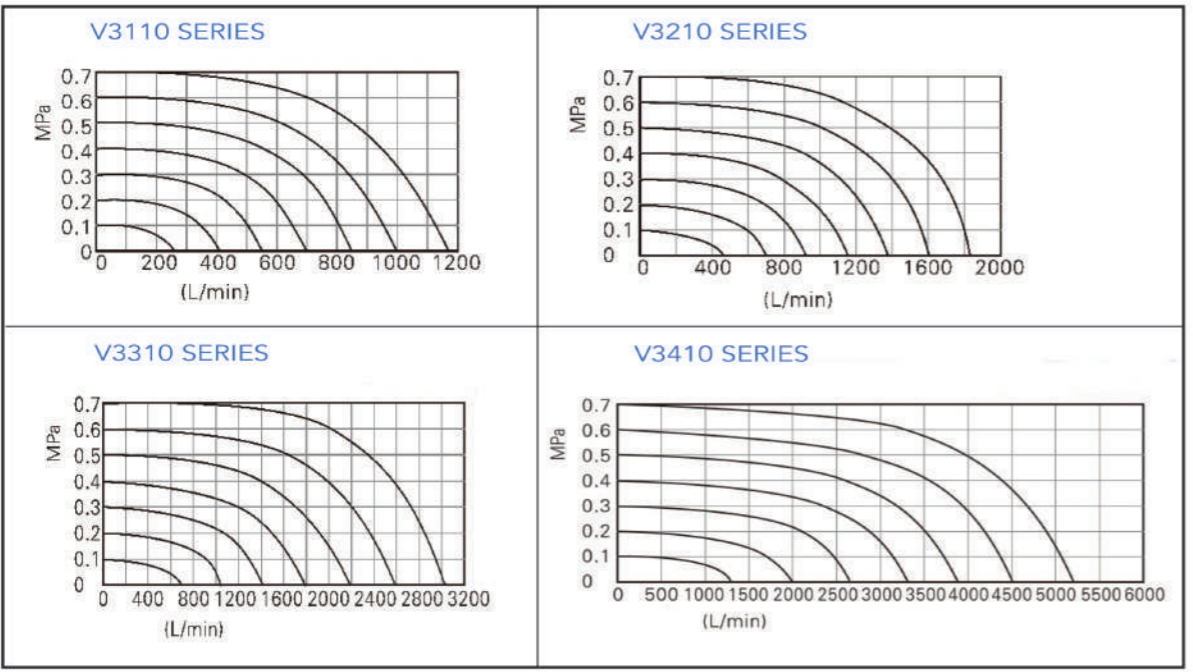
Note: if chooses VA series, no need for this code.

Port Size
M5: M5 06: 1/8" 08: 1/4" 10: 3/8" 15: 1/2"

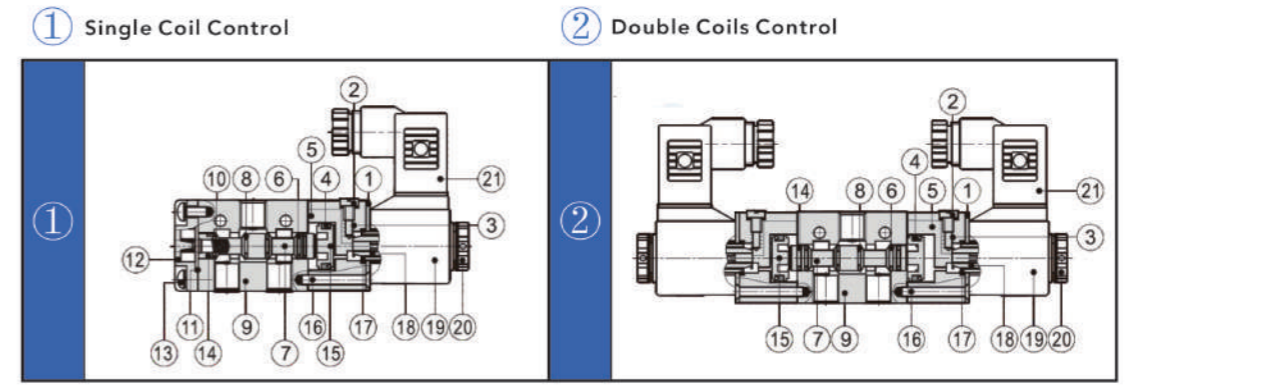
Ordering Example:

3/2 ways, solenoid valve, 1 series body size, single coil control, DC24V, Flying leads, M5 thread
 SENYA part# V4110-M5D2F

Flow Chart:

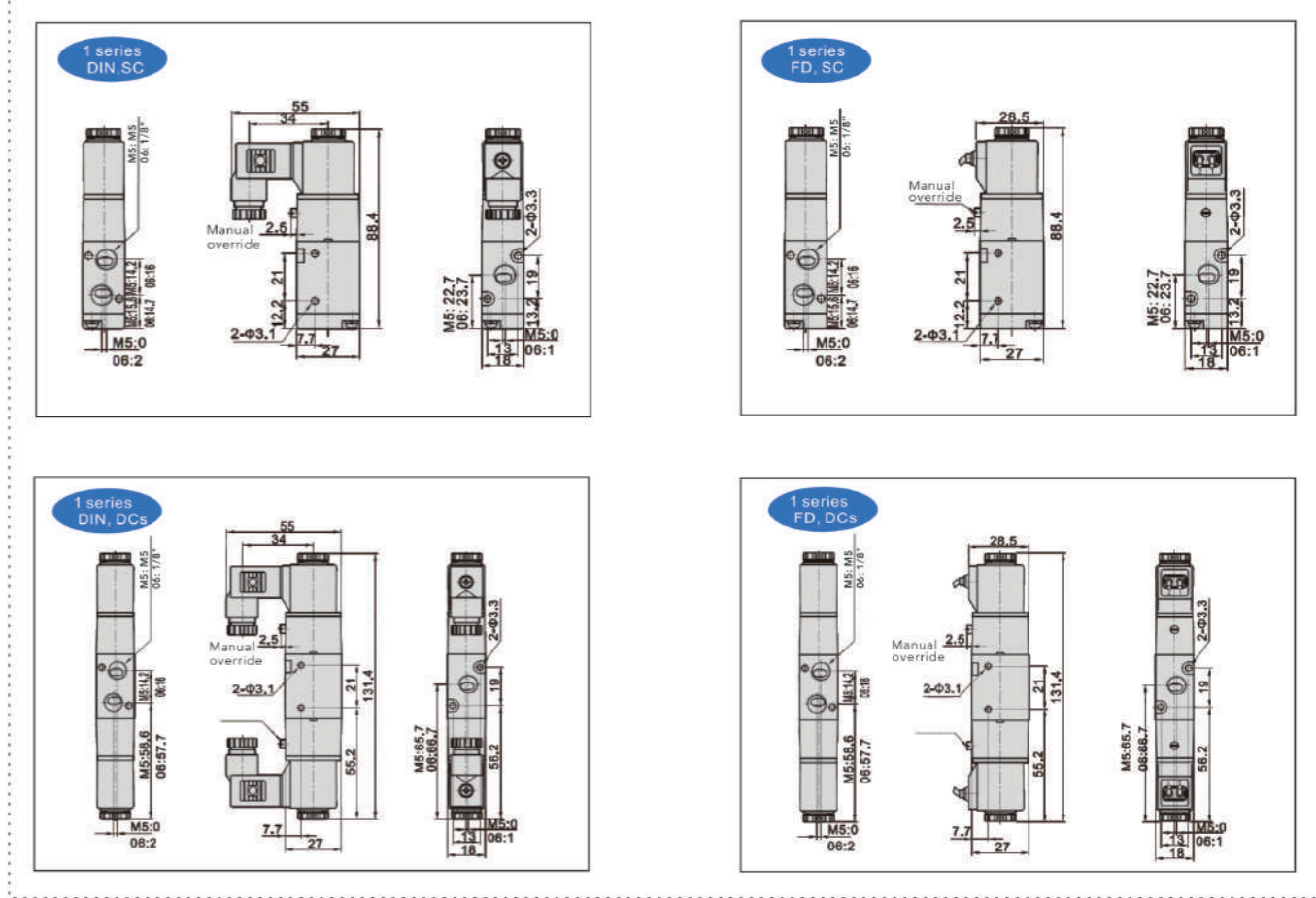


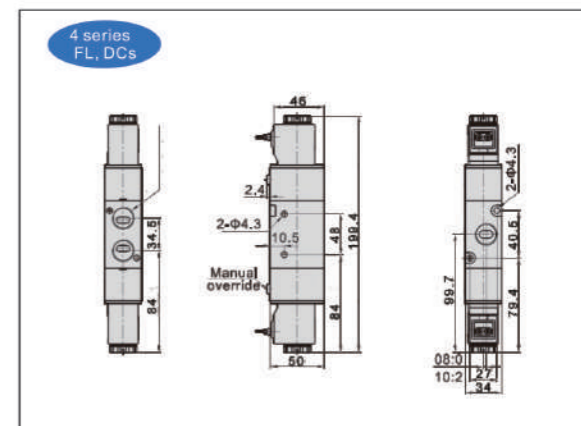
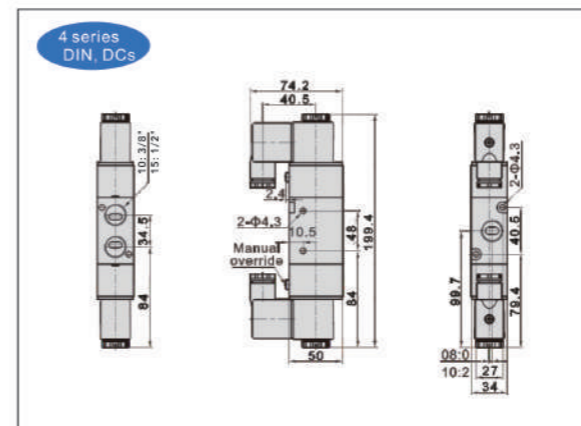
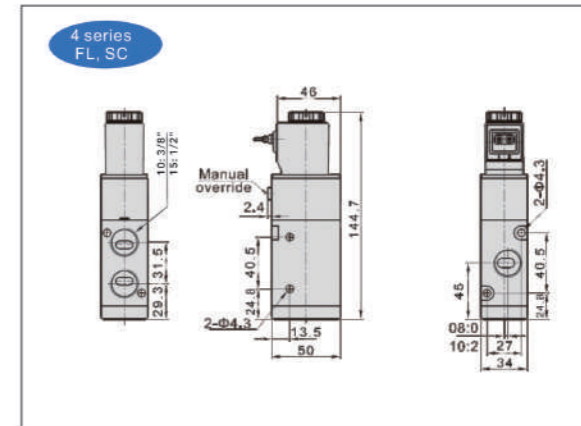
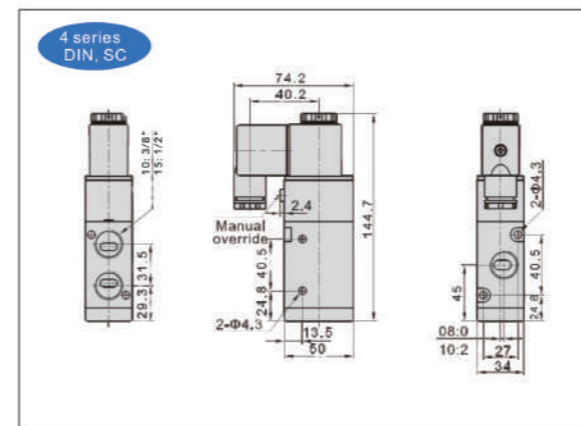
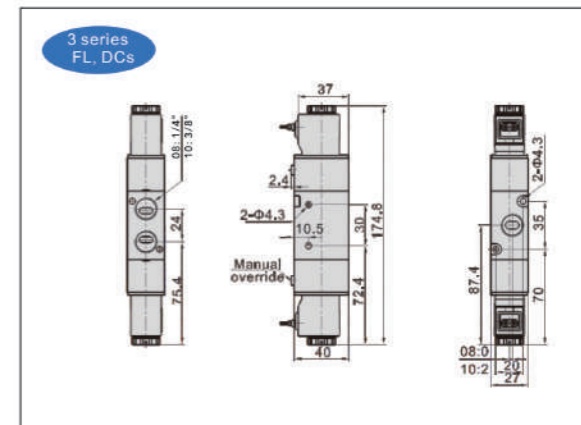
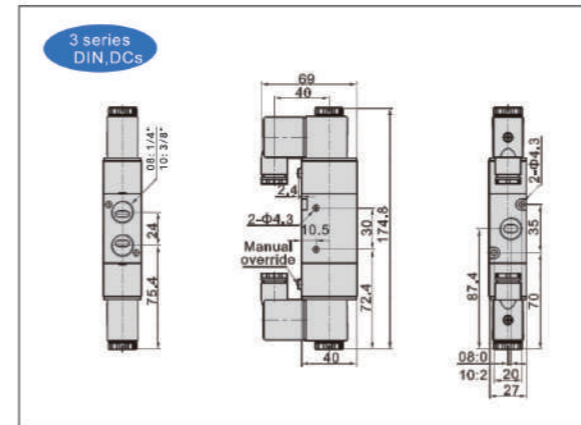
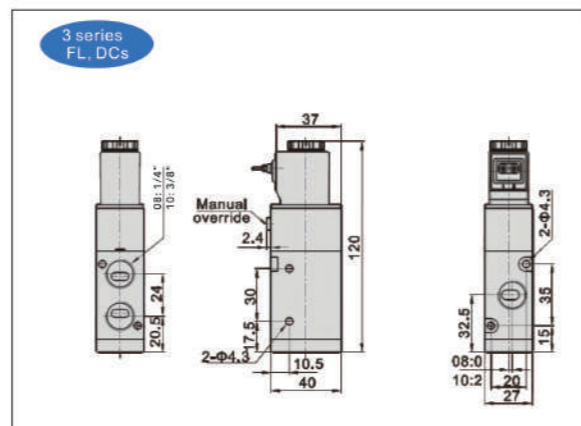
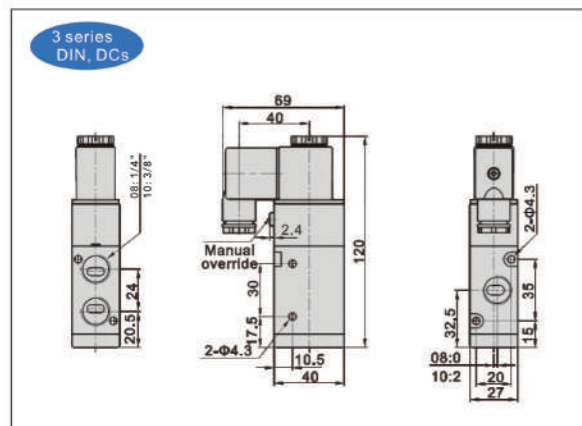
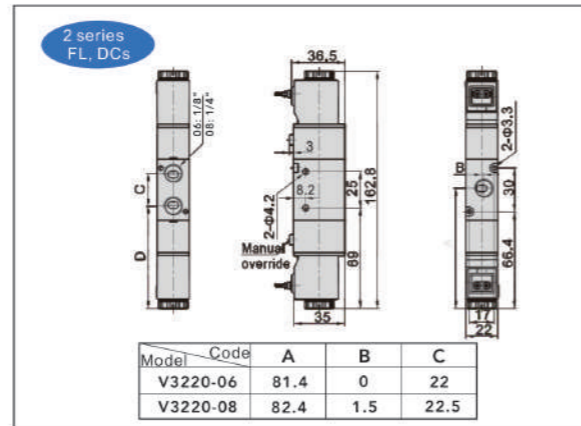
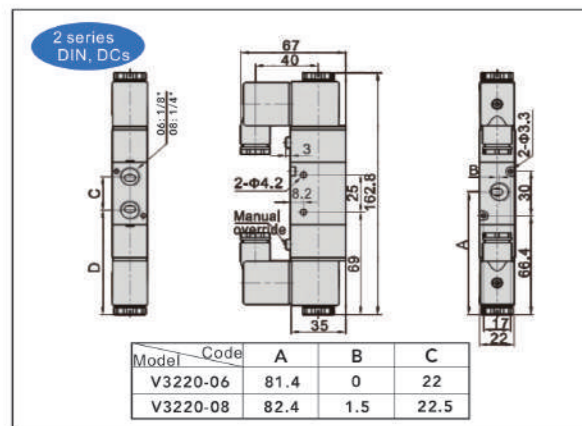
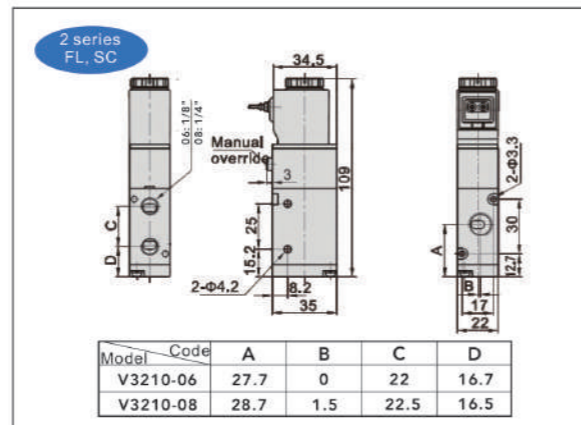
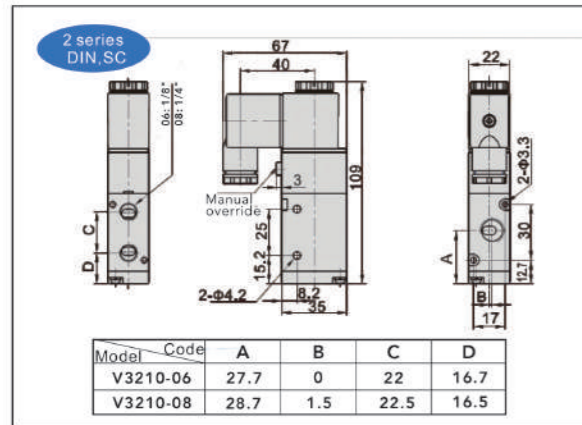
Product Structure:



1 Fixed plate	4 Piston O-ring	7 Spool	10 Spool spring	13 Screw	16 Pilot screw	19 Coil
2 Manual override	5 Pilot body	8 O-ring	11 Bottom cover gasket	14 Wearing ring	17 O-ring	20 Coil net
3 Override spring	6 Spool packing	9 Body	12 Bottom cover	15 Piston	18 Armature	21 Connector

Product Dimensions (1- 4 body series):







Directional Valve
5/2 or 5/3 Solenoid Valve
Pilot-oriented
1 - 4 series body size

5/2, 5/3 SERIES V

Directional Valve

Features

- Pilot-oriented of internal pilot or external pilot.
- Structure in sliding column with good tightness and sensitive reaction.
- Double control solenoid valves have memory function.
- Internal hole adopts special processing technology with the only 3-5 μm thickness of an anti-wear coating, providing little attrition friction, low start pressure and long service life.
- No need to add oil for lubrication.
- Integrate with the manifold to save installation space.



Product Information

Model	V4110-M5 V4110-06	V4130C-M5/06 V4130E-M5/06 V4130P-M5/06	V4120-M5 V4120-06	V4210-06 V4210-08	V4230C-06/08 V4230E-06/08 V4230P-06/08	V4220-06 V4220-08	V4310-08 V4310-10	V4330C-08/10 V4330E-08/10 V4330P-08/10	V4320-08 V4320-10	V4410-15	V4430C-15 V4430E-15 V4430P-15	V4420-15
Weight (g)	120	200	175	220	360	320	310	450	400	590	770	720
Material of Body	Aluminum alloy											
Valve Type	5 ports and 2 positions or 5 ports and 3 positions											
Thread Type	G thread standard default, PT, NPT thread are available											
Lubrication Notes	Once lubricated used, continue with same medium to optimize valve life span											
DIN Connector	A variety of color options: Black, Translucent Tawny, Transparent											

Specifications

Model	V4110-M5 V4120-M5 V4130-M5	V4110-06 V4120-06 V4130-06	V4210-06 V4220-06 V4230-06	V4210-08 V4220-08 V4230-08	V4310-08 V4320-08 V4330-08	V4310-10 V4320-10 V4330-10	V4410-10 V4420-10 V4430-10	V4410-15 V4420-15 V4430-15
Port size	M5	1/8"	1/8"	1/4"	1/4"	3/8"	3/8"	1/2"
Orifice Size (Cv)	5/2: 5.5 mm ² Cv:0.31 5/3: 5.5 mm ² Cv:0.28	12 mm ² Cv:0.67 9 mm ² Cv:0.5	16 mm ² Cv:0.89 12 mm ² Cv:0.67	16 mm ² Cv:0.89 12 mm ² Cv:0.67	25 mm ² Cv:1.40 18 mm ² Cv:1.00	30 mm ² Cv:1.68 18 mm ² Cv:1.00	50 mm ² Cv:2.79 30 mm ² Cv:1.67	50 mm ² Cv:2.79 30 mm ² Cv:1.68
Working Medium	Air (to be filtered by 40 μm filter element)							
Acting Type	Internal pilot type / External pilot type							
Reset Type	Air reset / Spring reset							
Lubrication	Not required							
Working Pressure	0.15 - 0.8 Mpa (21 - 114 Psi)							
Max. Proof Pressure	1.2 Mpa (0 - 174 Psi)							
Working Temperature	-5 - 60°C (No Freezing)							
Voltage Range	AC: ±15% & DC: ±10%							
Power Consumption	AC220V: 3.5 VA	AC110V: 3.5 VA	AC24V: 4.0 VA	DC24V: 2.5 W	DC12V: 2.5 W			
Insulation & Protection	Class F; IP65 (DIN40050)							
Connection Form	Line type or Terminal type							
Highest Acting Frequency	5 Cycles / Second							
Shortest Excitation Time	0.05 Second							

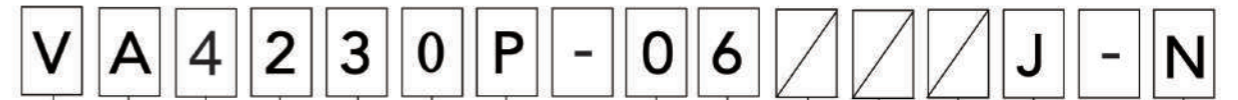


Directional Valve
5/2, 5/3 Solenoid Valve
Pilot-oriented
1 - 4 series body size

5/2, 5/3 SERIES V

Directional Valve

Ordering Code



Series Code
V: Spring return series
VA: Air return series
A: Air Control series

Body Size
1: 1 series body size
2: 2 series body size
3: 3 series body size
4: 4 series body size

Coil Control
10: Single Coil Control
20: Double Coils Control
30C: 5/3 way Center Closed
30E: 5/3 way Center Exhaust
30P: 5/3 way Center Pressure

VOLTAGE
A1: AC380V A2: AC220V A3: AC110V A4: AC24V
D1: DC12V D2: DC24V

Port Size
M5: M5
06: 1/8"
08: 1/4"
10: 3/8"
15: 1/2"

Electrical Entry
Blank: DIN Connector
F: Flying leads (0.5m)

DIN Connector Type
Blank: Brown Translucent
B: Black Non-Translucent
J: Translucent

Thread Standard
Blank: G
P: PT
N: NPT

Note: Valve body color can be customized. Please consult SENYA staffs for more details.

Note: if chooses VA series, no need for this code.

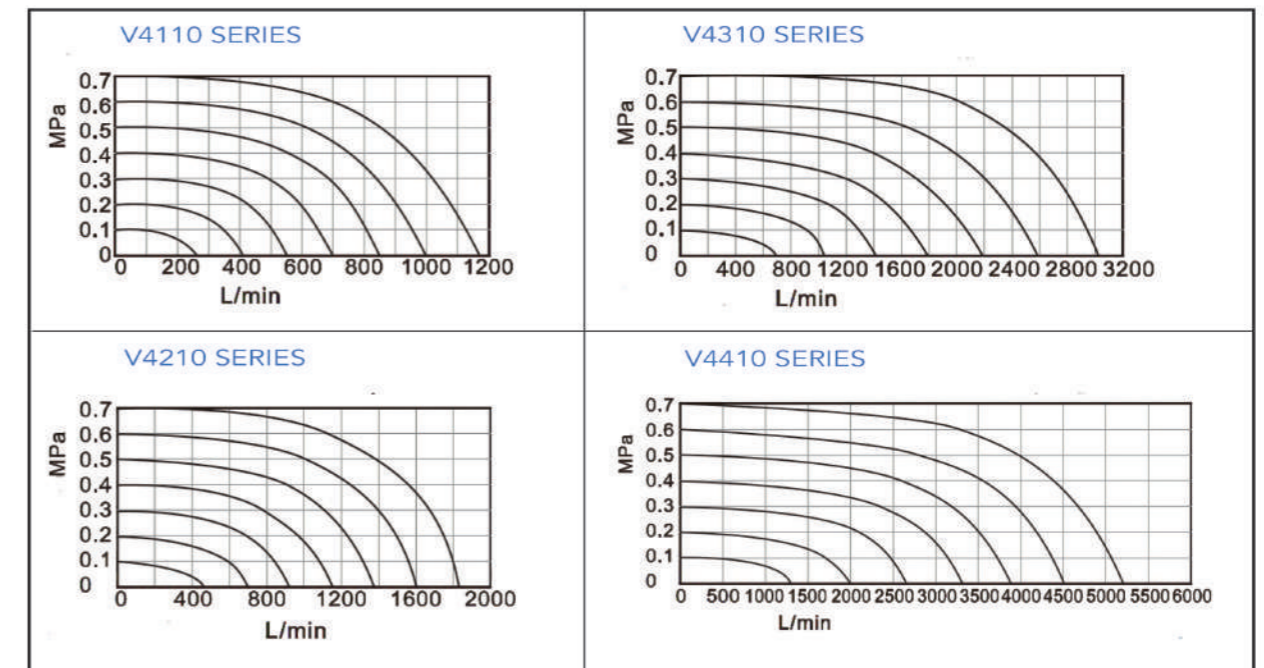
Note: if chooses M5 thread, no need for this code.

Note: it only for DIN connector option

Ordering Example:

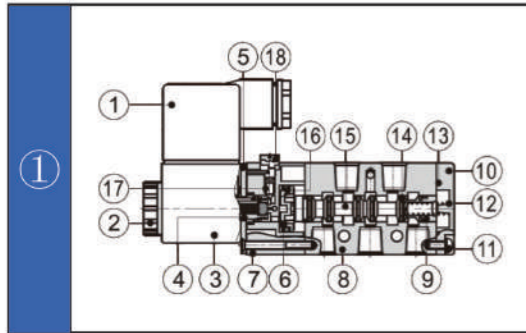
5/2 ways, solenoid valve , 3 series body size, single coil control, DC24V, DIN connector, 1/4" G
SENYA part# V4310-08D2

Flow Chart:

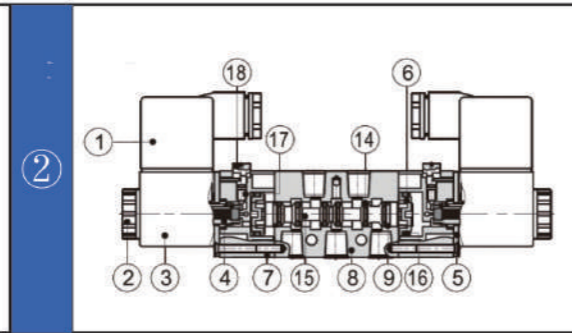


Product Structure:

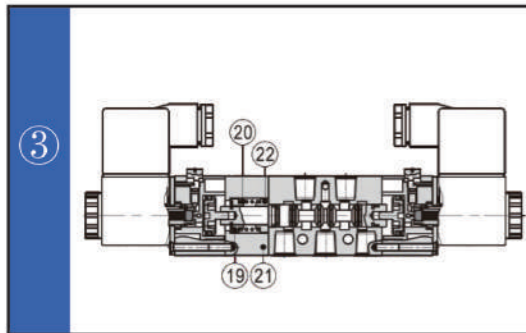
① Single Coil Control



② Double Coils Control



③ Double Coils Control with 3 positions



1 Connector	4 Armature	7 Pilot kit	10 Bottom cover	13 Bottom cover gasket	16 Piston O-ring	19 Spring holder	22 Spring holder
2 Coil net	5 Fixed plate	8 Body	11 Fixed screw	14 Spool O-ring	17 Override spring	20 Return spring	
3 Coil	6 Piston	9 Wear ring	12 Spool spring	15 Spool	18 Manual override	21 Side cover	

Product Dimensions (1 - 4 body series):

1 series
DIN, SC

Model	Code	A	B	C	D	E	F	G
V4110-M5	M5* 0.8	27	14.7	0	14	21.2	0	
V4110-06	1/8"	28	14.2	1	16	20.2	3	

1 series
FL, SC

Model	Code	A	B	C	D	E	F	G
V4110-M5	M5* 0.8	27	14.7	0	14	21.2	0	
V4110-06	1/8"	28	14.2	1	16	20.2	3	

1 series
DIN, DCs

Model	Code	A	B	C	D	E	F	G
V4120-M5	M5* 0.8	27	57.7	0	14	64.3	0	
V4120-06	1/8"	28	57.2	1	16	63.2	3	

1 series
FL, SC

Model	Code	A	B	C	D	E	F	G
V4120-M5	M5* 0.8	27	57.7	0	14	64.3	0	
V4120-06	1/8"	28	57.2	1	16	63.2	3	

1 series
DIN, 3 ways

Model	Code	A	B	C	D	E	F	G
V4130-M5	M5* 0.8	27	57.7	0	14	64.3	0	
V4130-06	1/8"	28	57.2	1	16	63.2	3	

1 series
FL, 3 ways

Model	Code	A	B	C	D	E	F	G
V4130-M5	M5* 0.8	27	57.7	0	14	64.3	0	
V4130-06	1/8"	28	57.2	1	16	63.2	3	

2 series
DIN, SC

Model	Code	A	B	C	D	E
V4210-06	1/8" 1/8"	18	22.7	0		
V4210-08	1/8" 1/4"	21	21.2	3		

2 series
FL, SC

Model	Code	A	B	C	D	E
V4210-06	1/8" 1/8"	18	22.7	0		
V4210-08	1/8" 1/4"	21	21.2	3		

2 series
DIN, DCs

Model	Code	A	B	C	D	E
V4220-06		1/8"1/8"	18	76.4	0	
V4220-08		1/8"1/4"	21	74.9	3	

2 series
FL, DCs

Model	Code	A	B	C	D	E
V4220-06		1/8"1/8"	18	76.4	0	
V4220-08		1/8"1/4"	21	74.9	3	

2 series
DIN, 3 ways

Model	Code	A	B	C	D	E
V4230-06		1/8"1/8"	18	76.4	0	
V4230-08		1/8"1/4"	21	74.9	3	

2 series
FL, 3 ways

Model	Code	A	B	C	D	E
V4230-06		1/8"1/8"	18	76.4	0	
V4230-08		1/8"1/4"	21	74.9	3	

3 series
DIN, SC

Model	Code	A	B	C	D	E
V4310-08		1/4"1/4"	22	29	0	
V4310-10		1/4"3/8"	24	28	4	

3 series
FL, SC

Model	Code	A	B	C	D	E
V4310-08		1/4"1/4"	22	29	0	
V4310-10		1/4"3/8"	24	28	4	

3 series
DIN, DCs

Model	Code	A	B	C	D	E
V4320-08		1/4"1/4"	22	83.9	0	
V4320-10		1/4"3/8"	24	82.9	4	

3 series
FL, DCs

Model	Code	A	B	C	D	E
V4320-08		1/4"1/4"	22	83.9	0	
V4320-10		1/4"3/8"	24	82.9	4	

3 series
DIN, 3 ways

Model	Code	A	B	C	D	E
V4330-08		1/4"1/4"	22	83.9	0	
V4330-10		1/4"3/8"	24	82.9	4	

3 series
FL, 3 ways

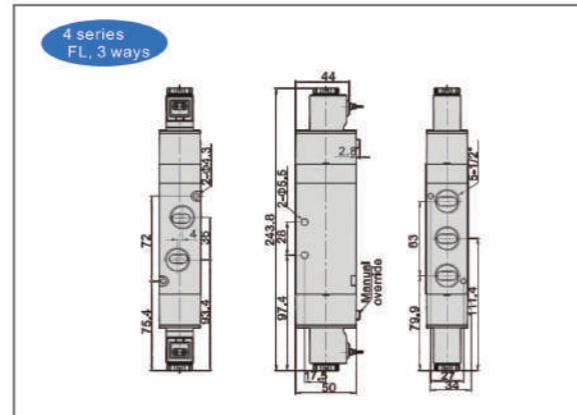
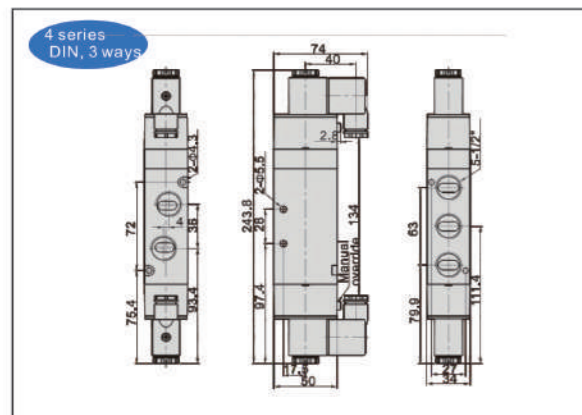
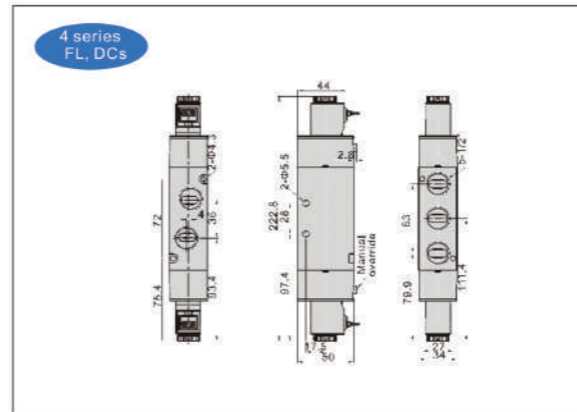
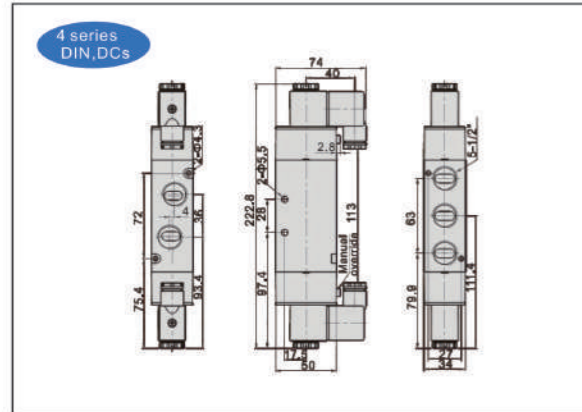
Model	Code	A	B	C	D	E
V4330-08		1/4"1/4"	22	83.9	0	
V4330-10		1/4"3/8"	24	82.9	4	

4 series
DIN, SC

Model	Code	A	B	C	D	E
V4310-08		1/4"1/4"	22	29	0	
V4310-10		1/4"3/8"	24	28	4	

4 series
FL, SC

Model	Code	A	B	C	D	E
V4310-08		1/4"1/4"	22	29	0	
V4310-10		1/4"3/8"	24	28	4	



Features

- Pilot-oriented of internal pilot or external pilot.
- Structure in sliding column with good tightness and sensitive reaction.
- Double control solenoid valves have memory function.
- Internal hole adopts special processing technology with the only 3-5 μm thickness of an anti-wear coating, providing little attrition friction, low start pressure and long service life.
- No need to add oil for lubrication.
- Install in the side plate with the surface upward, which can be used by directly connecting with the actuators.
- Affiliate manual device are equipped to facilitate installation and debugging.



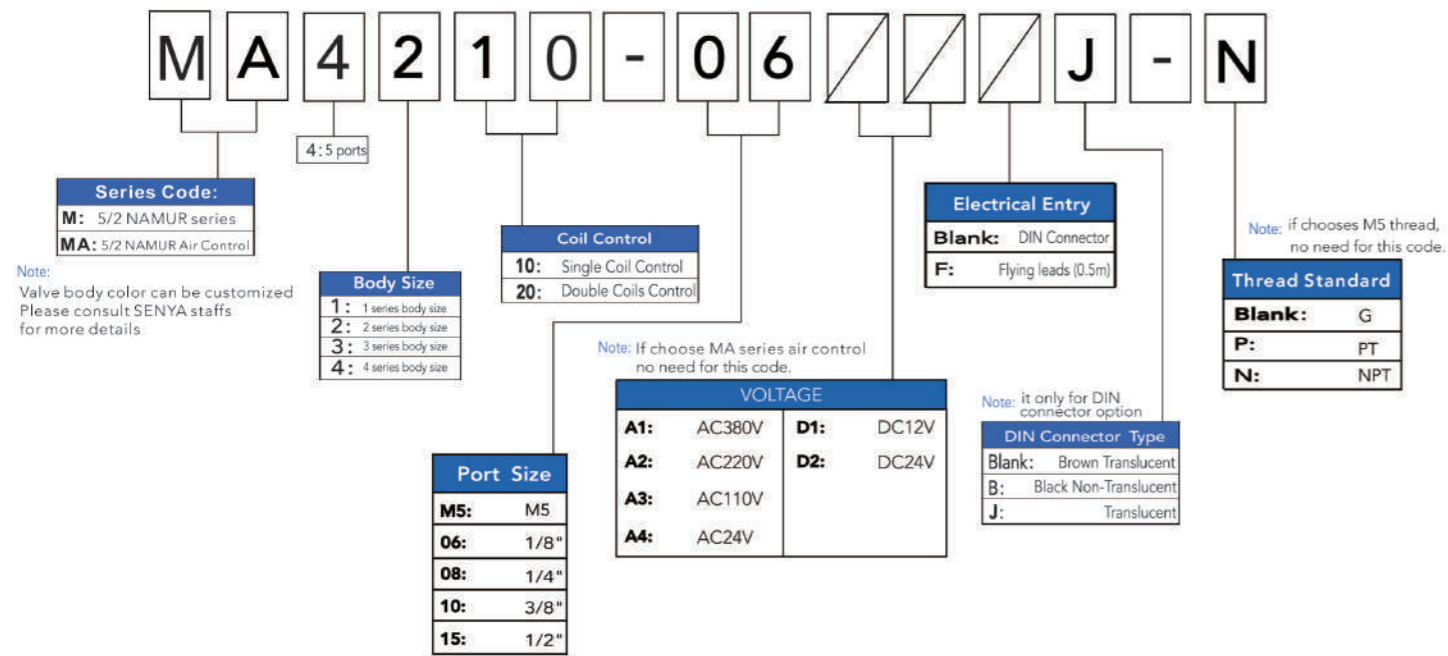
Product Information

Model	M4110-M5 M4110-06	M4120-M5 M4120-06	M4210-06 M4210-08	M4220-06 M4220-08	M4310-08 M4310-10	M4320-08 M4320-10
Weight (g)	120	175	220	320	310	400
Material of Body	Aluminum alloy					
Valve Type	5 ports and 2 positions					
Thread Type	G thread standard default, PT, NPT thread are available					
Lubrication Notes	Once lubricated used, continue with same medium to optimize valve life span					
DIN Connector	A variety of color options: Black, Translucent Tawny, Transparent					

Specifications

Model	M4110-M5 M4120-M5	M4110-06 M4120-06	M4210-06 M4220-06	M4210-08 M4220-08	M4310-08 M4320-08	M4310-10 M4320-10	M4410-10 M4420-10	M4410-15 M4420-15
Port size	M5	1/8"	1/8"	1/4"	1/4"	3/8"	3/8"	1/2"
Orifice Size (Cv)	10.2 mm ² Cv=0.6	10.2 mm ² Cv=0.6	17 mm ² Cv=1.00	17 mm ² Cv=1.00	28 mm ² Cv=1.65	28 mm ² Cv=1.65	50 mm ² Cv=2.79	50 mm ² Cv=2.79
Working Medium	Air (to be filtered by 40 μm filter element)							
Acting Type	Internal pilot type / External pilot type							
Reset Type	Air reset / Spring reset							
Lubrication	Not required							
Working Pressure	0.15 - 0.8 Mpa (21 - 114 Psi)							
Max. Proof Pressure	1.2 Mpa (0 - 174 Psi)							
Working Temperature	-5 - 60 (No Freezing)							
Voltage Range	AC : ±15% & DC: ±10%							
Power Consumption	AC220V: 3.5 VA		AC110V: 3.5 VA		AC24V: 4.0 VA	DC24V: 2.5 W	DC12V: 2.5 W	
Insulation & Protection	Class F ; IP65 (DIN40050)							
Connection Form	Line type or Terminal type							
Highest Acting Frequency	5 Cycles / Second							
Shortest Excitation Time	0.05 Second							

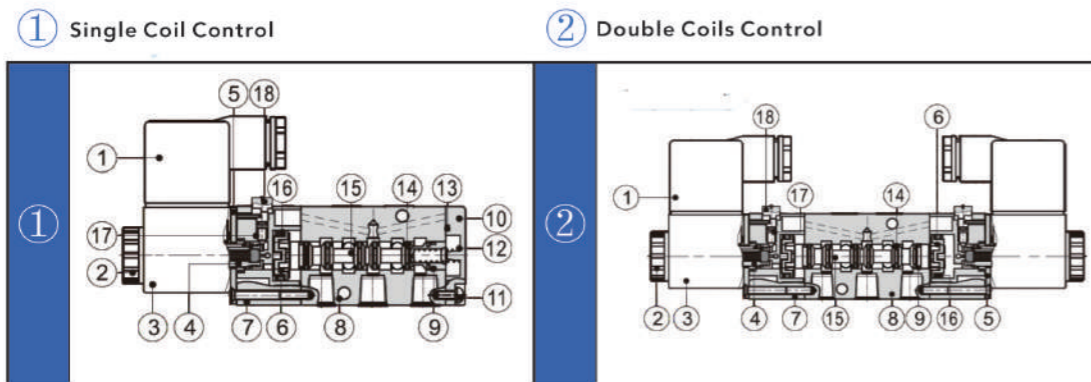
Ordering Code



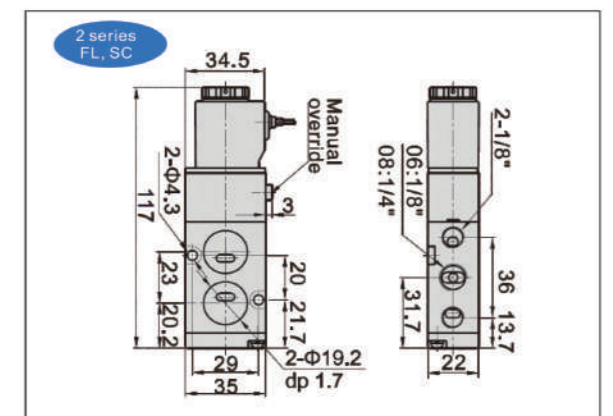
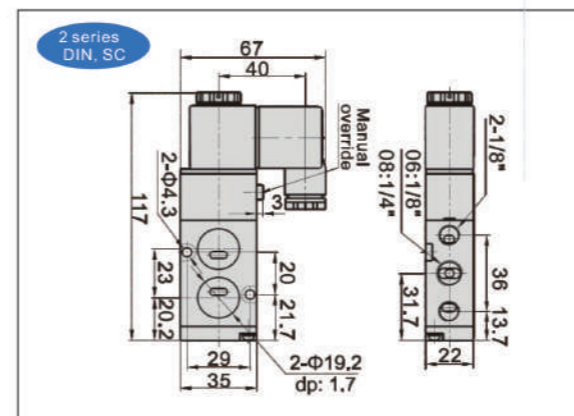
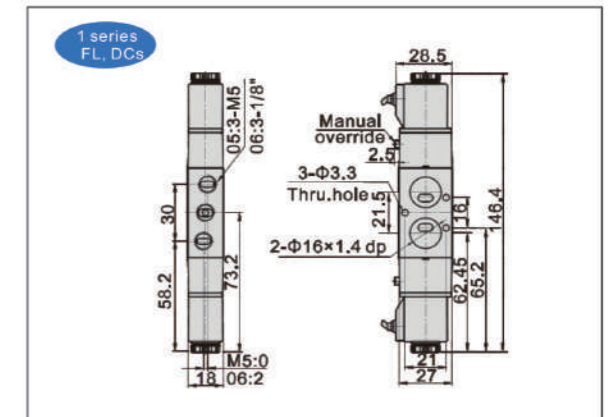
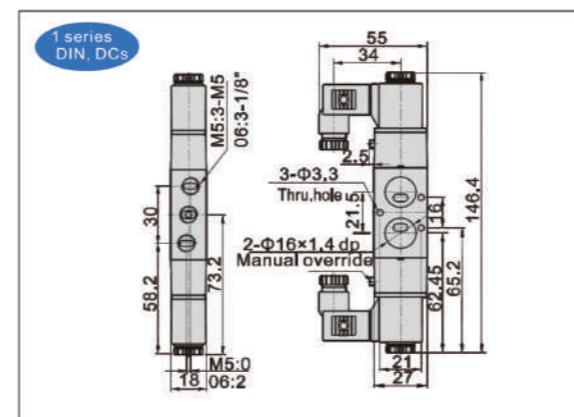
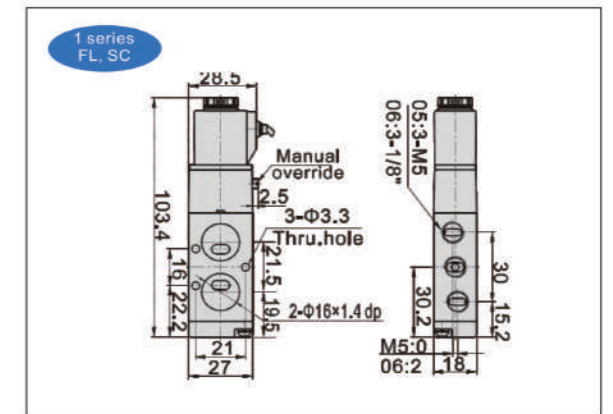
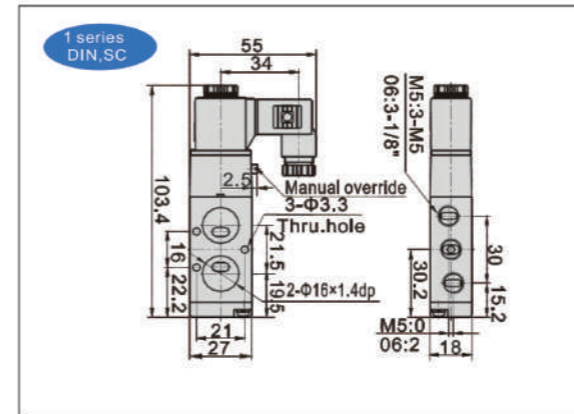
Ordering Example:

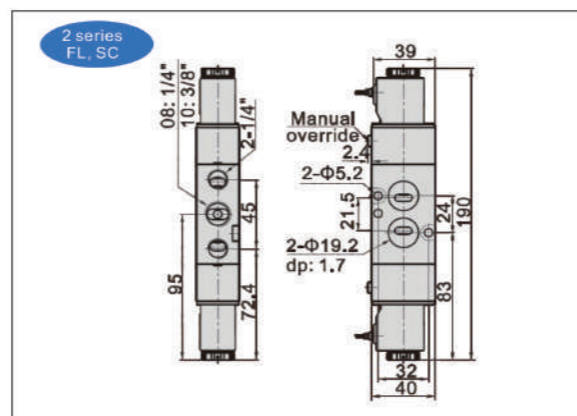
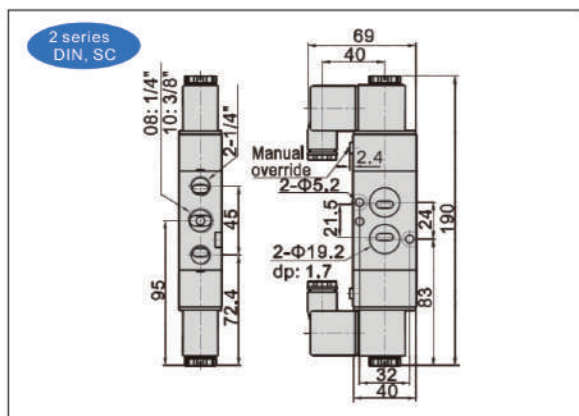
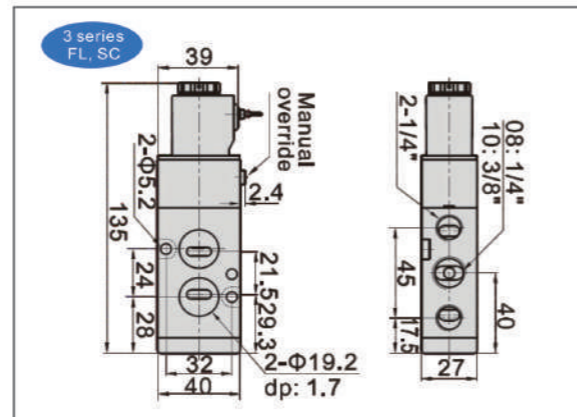
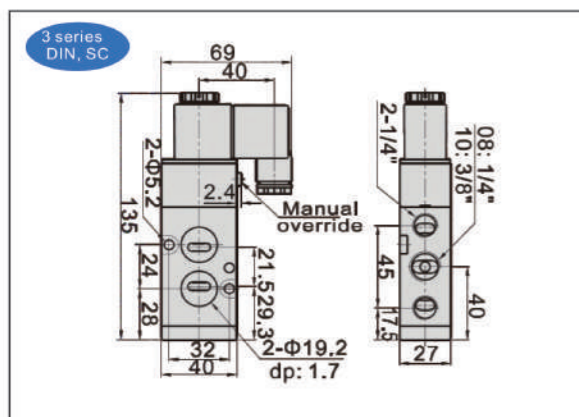
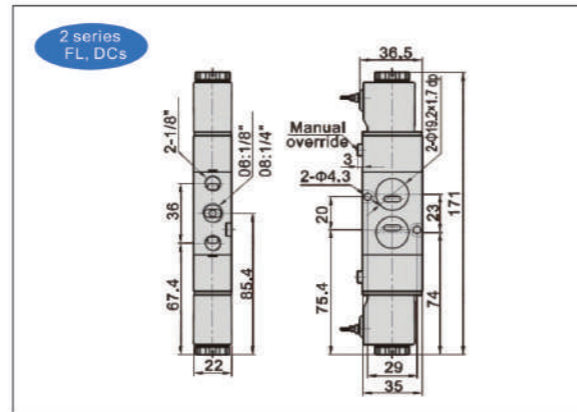
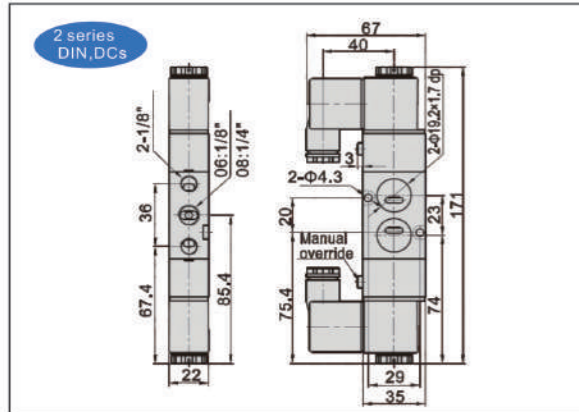
5/2 ways, solenoid valve (NAMUR), 2 series body size, single coil control, AC220V, DIN connector, 1/8" G
 SENYA part# M4210-06A2

Product Structure:



1	Connector	4	Armature	7	Pilot kit	10	Bottom cover	13	Bottom cover gasket	16	Piston O-ring
2	Coil net	5	Fixed plate	8	Body	11	Fixed Screw	14	Spool O-ring	17	Override spring
3	Coil	6	Piston	9	Wear ring	12	Spool spring	15	Spool	18	Manual override





Features

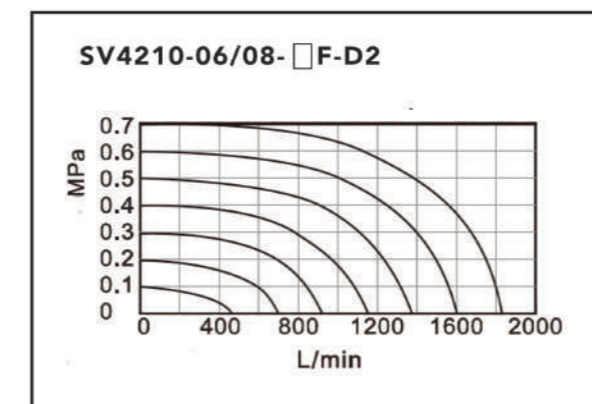
- Integrated manifold, with D-sub connector, COM line (in Red) with free non-polar connection.
- Each valve has a single LED indicator on the manifold. Easy to obvious each unit working condition
- Standard SV offers option of 3-14 stations, and maximum for 23 stations
- Plug-in type valve is easy for assembly and maintenance.
- It can greatly save 80% labor cost on site for weir connecting.



Specifications

Model	SV4210-06/08- F-D2				
Port size	1/8" or 1/4"				
Working Medium	Air (to be filtered by 40 μm filter element)				
Acting Type	Internal pilot type / External pilot type				
Reset Type	Air reset / Spring reset				
Lubrication	Not required				
Working Pressure	0.15 - 0.8 Mpa (21 - 114 Psi)				
Max. Proof Pressure	1.2 Mpa (0 - 174 Psi)				
Working Temperature	-5 - 60 (No Freezing)				
Voltage Range	AC : ±15% & DC : ±10%				
Power Consumption	AC220V: 3.5 VA	AC110V: 3.5 VA	AC24V: 4.0 VA	DC24V: 2.5 W	DC12V: 2.5 W
Insulation & Protection	Class F ; IP65 (DIN40050)				
Connection Form	Line type or Terminal type				
Highest Acting Frequency	5 Cycles / Second				
Shortest Excitation Time	0.05 Second				

Flow Chart:



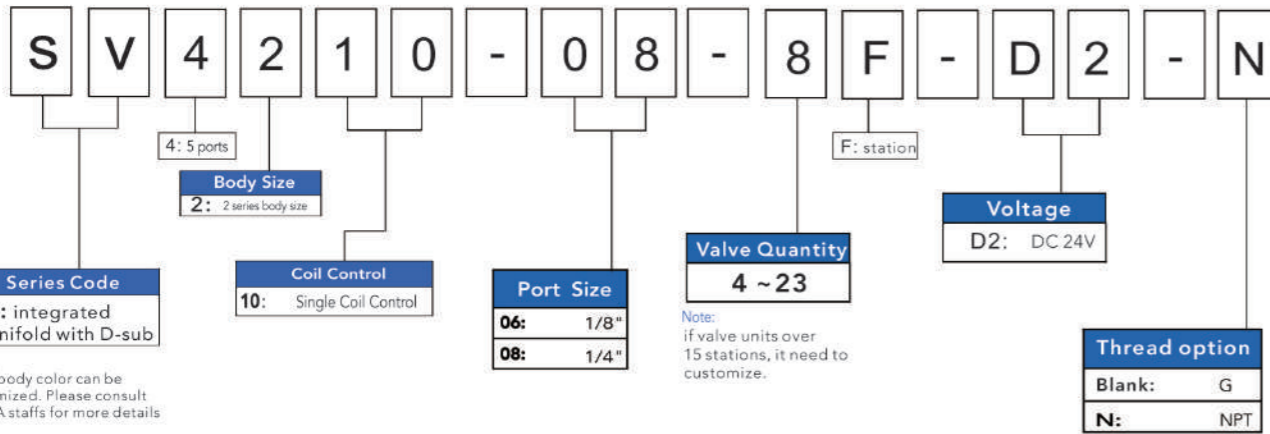


Directional Valve
SV Integrated Manifold with D-sub
 Pilot-oriented
 only in 2 series body size with DC24V

5/2
SERIES
SV

Directional Valve

Ordering Code



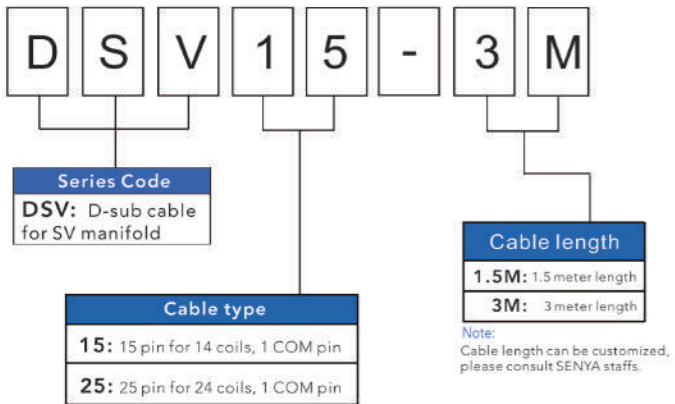
Note:
 Valve body color can be customized. Please consult SENYA staffs for more details

Ordering Example:

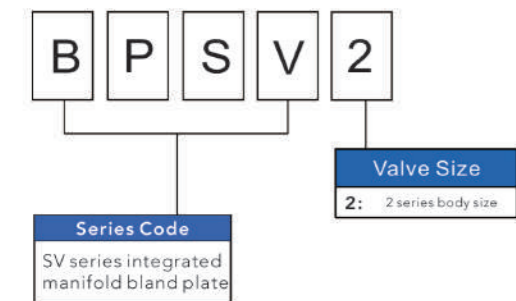
SV integrated manifold with D-sub, 5/2 ways, 1/4" G thread, 7 stations, DC24V, single control.

SENYA part# SV4210-08-7F-D2

Cable Ordering Code



Bland Plate Ordering Code

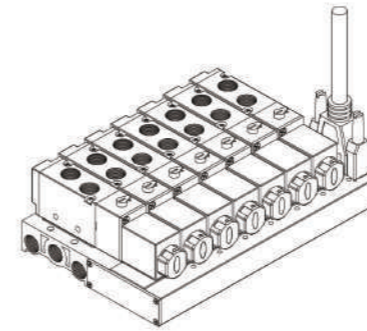


Directional Valve

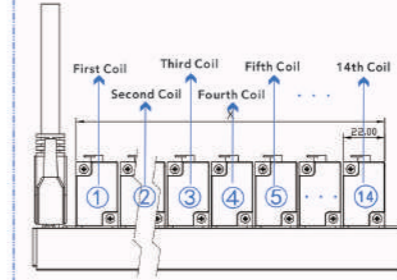
5/2
SERIES
SV

Directional Valve
SV Integrated Manifold with D-sub
 Pilot-oriented
 only in 2 series body size with DC24V

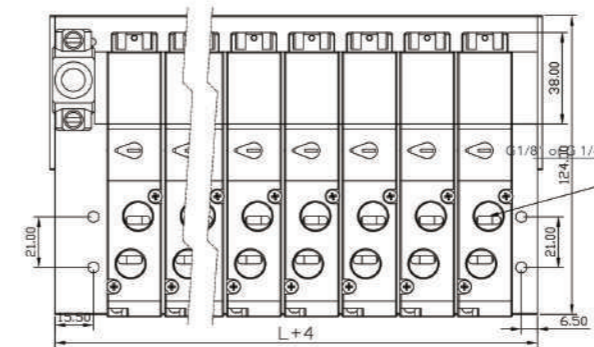
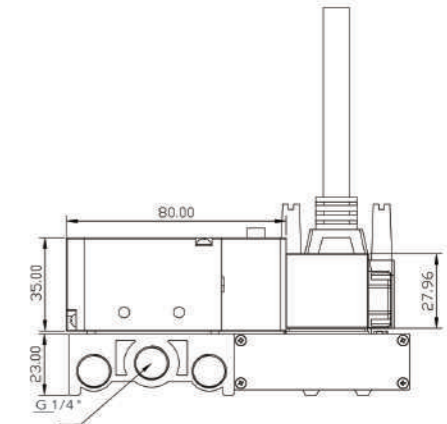
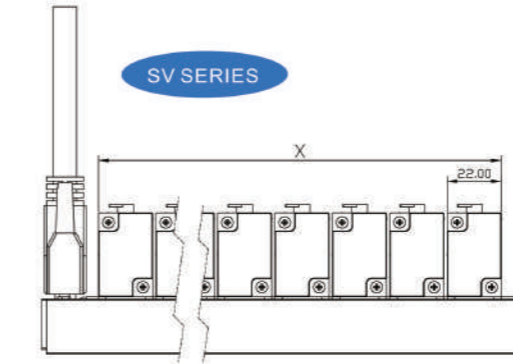
Product Dimensions:



Cable Connecting Instruction:



- The **red cable** as COM line (connecting power + polar)
- Each **white line** is a cable number corresponds to the matched coil position. (connecting power - polar)
- The one **black cable** as the earth wire (E) as the voltage leakage protection.
- If finds the LED indicator flicker but not constant lighting while valves working, please reconnect the cable of the polarity conversion.



Code	Stations	4F	5F	6F	7F	8F	9F	10F	11F	12F	13F	14F
L		124	147	170	193	216	239	262	285	308	331	354
X		93	116	140	163	187	211	234	258	281	305	329



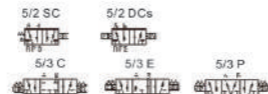
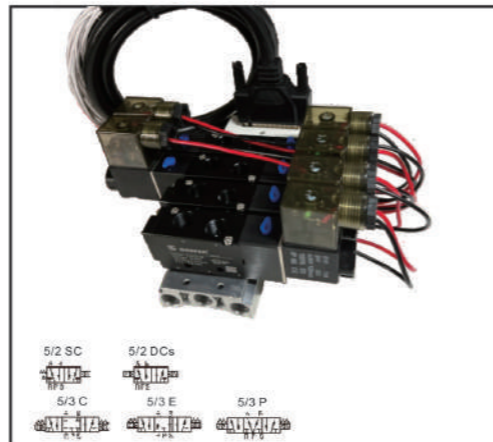
Directional Valve
SW Mixed Manifold with D-sub
 Pilot-oriented
 only in 2 series body size with DC24V

5/2
SERIES
SW

Directional Valve

Features

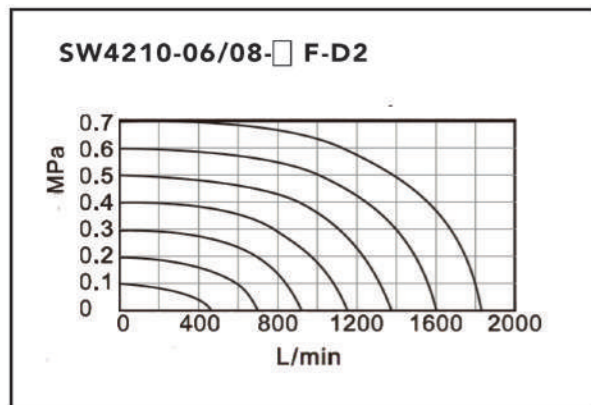
- Integrated manifold, with D-sub connector, COM line (in Red) with free non-polar connection.
- Each valve has a single LED indicator on the manifold. Easy to obvious each unit working condition
- Standard SW offers option of 3-14 stations, and maximum for 23 stations
- Plug-in type valve is easy for assembly and maintenance.
- It can greatly save 80% labor cost on site for weir connecting.
- SW manifold could Mixed combined V4210, V4220, V4230C/E/P. The flexible combination to meet different clients' needs.



Specifications

Model	SW4210-06/08- F-D2				
Port size	1/8" or 1/4"				
Working Medium	Air (to be filtered by 40 μm filter element)				
Acting Type	Internal pilot type / External pilot type				
Reset Type	Air reset / Spring reset				
Lubrication	Not required				
Working Pressure	0.15 - 0.8 Mpa (21 - 114 Psi)				
Max. Proof Pressure	1.2 Mpa (0 - 174 Psi)				
Working Temperature	-5 - 60 (No Freezing)				
Voltage Range	AC : ±15% & DC: ±10%				
Power Consumption	AC220V: 3.5 VA	AC110V: 3.5 VA	AC24V: 4.0 VA	DC24V: 2.5 W	DC12V: 2.5 W
Insulation & Protection	Class F ; IP65 (DIN40050)				
Connection Form	Line type or Terminal type				
Highest Acting Frequency	5 Cycles / Second				
Shortest Excitation Time	0.05 Second				

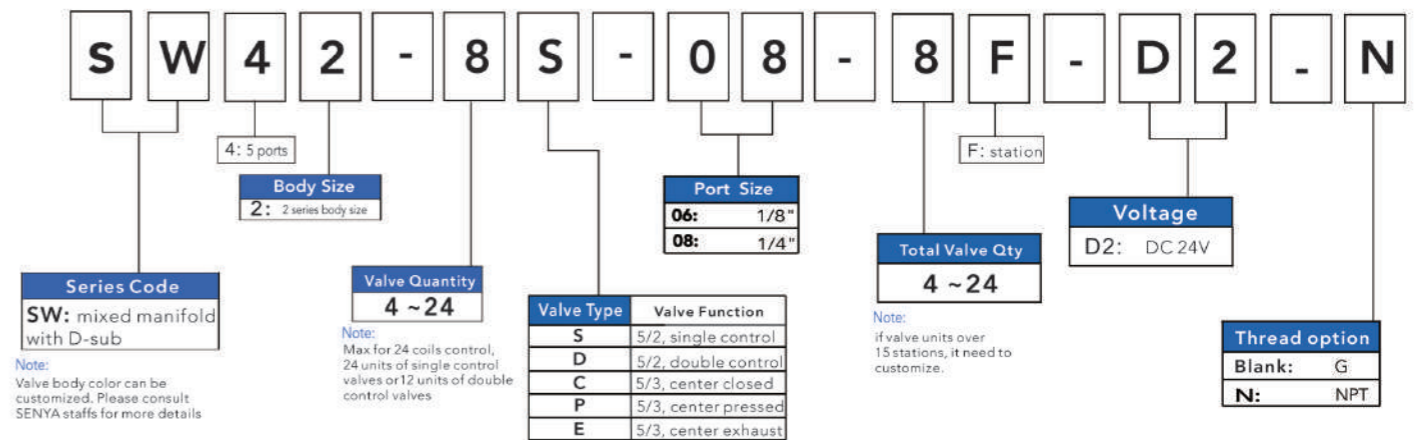
Flow Chart:



Directional Valve

Directional Valve
5/2
SERIES
SW
 Pilot-oriented
 only in 2 series body size with DC24V

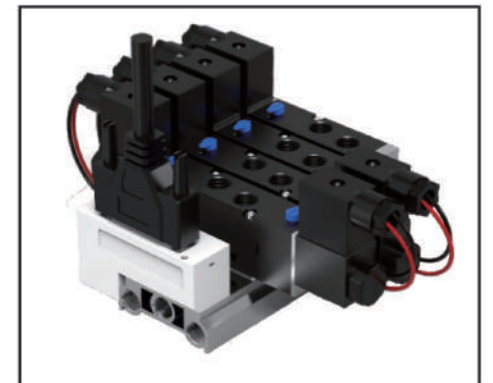
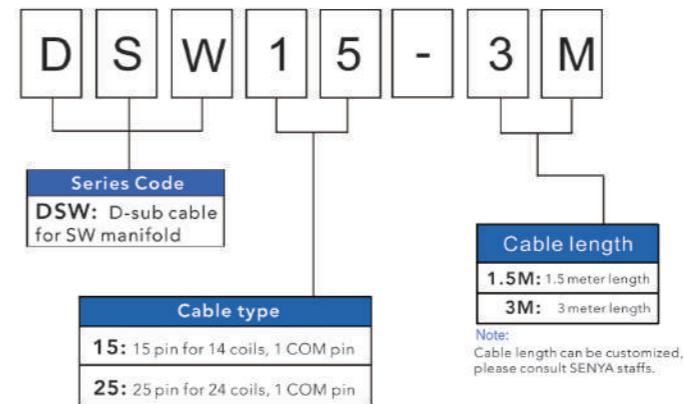
Ordering Code



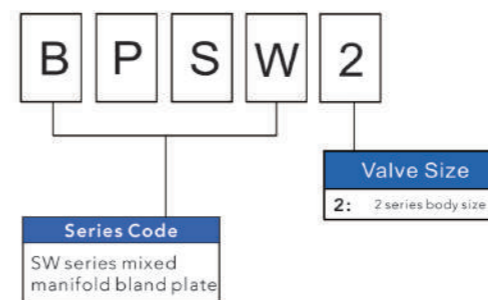
Ordering Example:

SW mixed manifold with D-sub, 1st-3rd in 5/2 single control, 4th-5th in 5/3 center closed, 6th in 5/3 center exhaust, 9 stations, DC24V, G thread
SENYA part# SW42-3S2C1E-08-6F-D2

Cable Ordering Code



Bland Plate Ordering Code



Cable Connecting Instruction:

- The **red cable** as COM line (connecting power + polar)
- Each **white line** is a cable number corresponds to the matched coil position. The **coil position please refer left picture instruction.** (connecting power - polar)
- The one **black cable** as the earth wire (E) as the voltage leakage protection.
- If finds the LED indicator flicker but not constant lighting while valves working , please reconnect the cable of the polarity conversion.

Product Dimensions:

SW SERIES

Note:
 SW mixed manifold size is variable due to many combinations.

Code	Stations	4F	5F	6F	7F	8F	9F	10F	11F	12F	13F	14F
L		145	170	195	220	245	270	295	320	345	370	395
X		97	122	147	172	197	222	247	272	297	322	347

Features

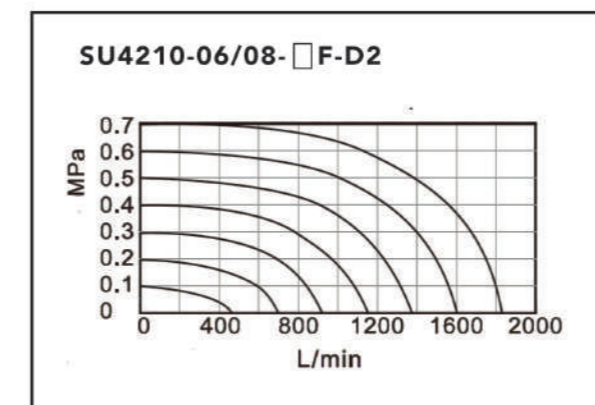
- Standard SU offers option of 3-14 stations, and maximum for 23 stations
- Universal manifold is common used in industries. It is easy to install and maintain
- SU manifold could Mixed combined V4210, V4220, V4230C/E/P. The flexible combination to meet different clients' needs.



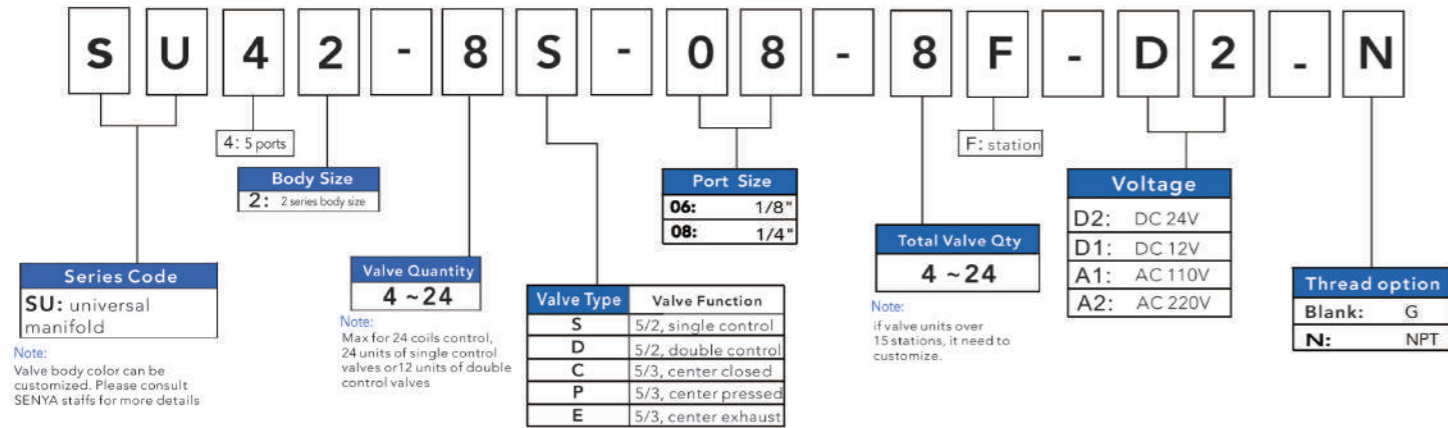
Specifications

Model	SU4210-06/08- F-D2				
Port size	1/8" or 1/4"				
Working Medium	Air (to be filtered by 40 μm filter element)				
Acting Type	Internal pilot type / External pilot type				
Reset Type	Air reset / Spring reset				
Lubrication	Not required				
Working Pressure	0.15 - 0.8 Mpa (21 - 114 Psi)				
Max. Proof Pressure	1.2 Mpa (0 - 174 Psi)				
Working Temperature	-5 - 60 (No Freezing)				
Voltage Range	AC : ±15% & DC: ±10%				
Power Consumption	AC220V: 3.5 VA	AC110V: 3.5 VA	AC24V: 4.0 VA	DC24V: 2.5 W	DC12V: 2.5 W
Insulation & Protection	Class F ; IP65 (DIN40050)				
Connection Form	Line type or Terminal type				
Highest Acting Frequency	5 Cycles / Second				
Shortest Excitation Time	0.05 Second				

Flow Chart:



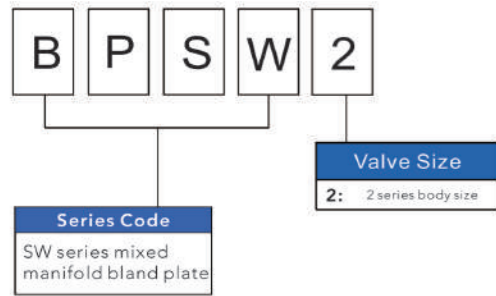
Ordering Code



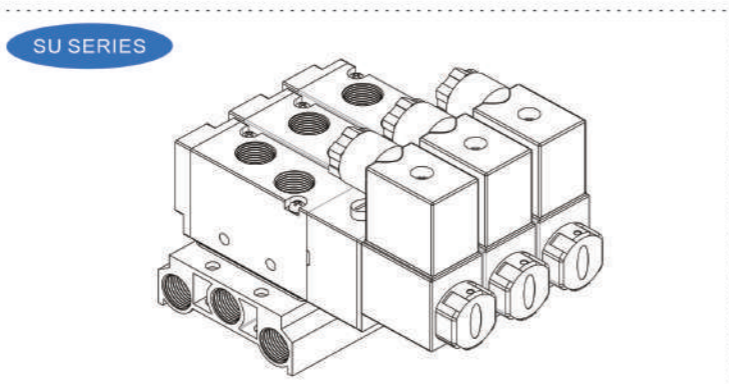
Ordering Example:

SW mixed manifold with D-sub, 1st-4th in 5/2 single control, 5th in 5/3 center closed, 6-8th in 5/3 center closed, 8 stations, AC220V, G thread
SENYA part# SU42-4S1C2E-08-8F-A2

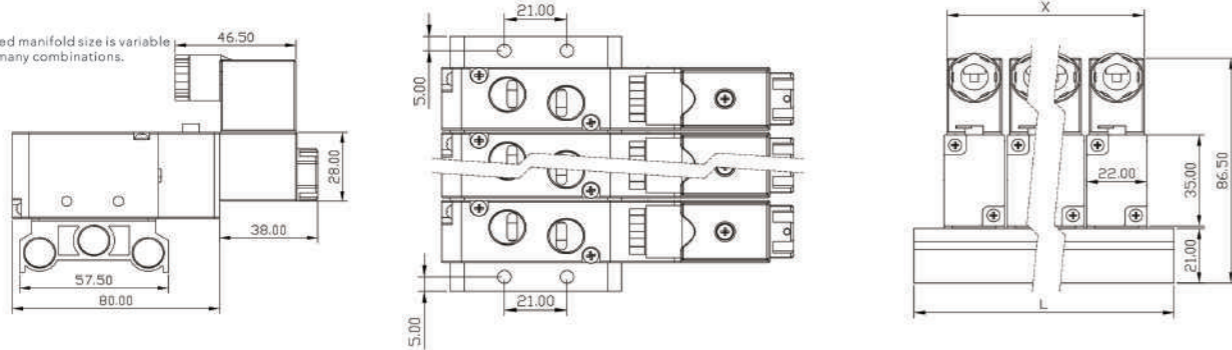
Bland Plate Ordering Code



Product Dimensions:



Note: SW mixed manifold size is variable due to many combinations.



Stations Code	4F	5F	6F	7F	8F	9F	10F	11F	12F	13F	14F
L	117	142	167	192	217	242	267	292	317	342	367
X	97	122	147	172	197	222	247	272	297	322	347

Features

- ò Push-in Fittings are used in pneumatics piping.
- ò The tube fittings come in a wide variety of models to meet all needs.
- ò Even after installation, the direction of the tube can be changed freely.
- ò Nickel-Plated metal body ensures Anti-Corrosion and Anti-Contamination.

Fittings Type Variations:

Male Connector GPC	Branch "Y" GPX	Plug GPP
Male Elbow GPL	Universal Female Elbow GPH	Reducer GPGJ
Hexagon Socket Head Male Connector GPOC	Union Elbow GPV	Elbow GPLJ
Female Elbow GPCF	Union Tee GPE	Bulkhead Union GPM
Female Bulkhead Connector GPMF	Different Diameter Tee D1>D2 GPEG	Bulkhead Male Elbow GPLM
Speed Control Elbow GPSC	Different Diameter Tee D1<D2 GPEW	Speed Control Elbow GPSC
Different Diameter Straight GPG	Union "Y" GPY	Speed Control Valve GPSA
Extended Male Elbow GPLL	Different Diameter Union "Y" D1>D2 GPW	Plug-in "Y" GPWJ
Female Elbow GPLF	Cross GPZA	Double Universal Male Elbow GPHD
Male Branch Tee GPB	Triple Universal Tee GPK	Triple Universal Male Elbow GPHT
Male Run Tee GPD	Triple Different Diameter Tee D1>D2 GPKG	Triple Universal Tee Male GPKB

Ordering Code

Threaded Type:

Ordering Code: **B P C 0 6 - 0 2 P**

Series Color

G: Gray body, Blue release ring
B: Black body, black release ring
A: White body, White release ring

Push-in Plastic Fitting Series

C: Male Connector
L: Male Elbow
OC: Hexagon Socket Head Male Connector
CF: Female Elbow
MF: Female Bulkhead Connector
SC: Speed Control Elbow
RC: Rotary Straight Connector
LL: Extended Male Elbow
LF: Female Elbow
B: Male Branch Tee
D: Male Run Tee
X: Branch "Y"
H: Universal Female Elbow
HD: Double Universal Male Elbow
HT: Triple Universal Male Elbow
KB: Triple Universal Tee Male

Thread Standard

G: BSPP
P: BSPT
N: NPT

Port Size

M5/M6	M5/M6
01	1/8"
02	1/4"
03	3/8"
04	1/2"

Applicable Tubing O.D.

O.D.	φ
04	φ 4
06	φ 6
08	φ 8
10	φ 10
12	φ 12
14	φ 14
16	φ 16

Note: φ only available for port size less than 03

Tube - Tube Type:

Ordering Code: **G P K 0 6 - 0 4**

Series Color

G: Gray body, Blue release ring
B: Black body, black release ring
A: White body, White release ring

Push-in Plastic Fitting Series

Code	Series	Photo
U	Straight Union	
G	Different Diameter Straight	
V	Union Elbow	
E	Union Tee	
EG	Different Diameter Tee D1>D2	
EW	Different Diameter Tee D1<D2	
Y	Union "Y"	
W	Different Diameter Union "Y" D1>D2	
ZA	Cross	
K	Triple Universal Tee	
KG	Triple Different Diameter Tee D1>D2	
P	Plug	
GJ	Plug-in Reducer	
LJ	Plug-in Elbow	
M	Bulkhead Union	
LM	Bulkhead Male Elbow	
SA	Speed Control Valve	
WJ	Plug-in "Y"	

Applicable Tubing O.D.

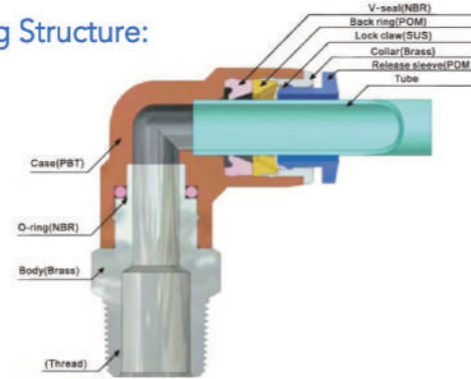
Blank	same diameter tubing
04	φ 4
06	φ 6
08	φ 8
10	φ 10
12	φ 12
14	φ 14
16	φ 16

Note: φ only available for port size less than 03

Specifications:

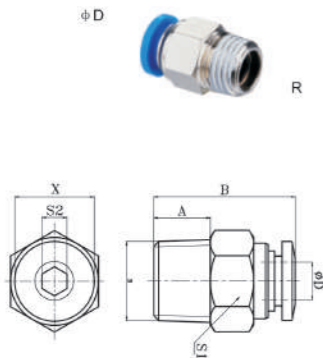
Fluid	Air , Vacuum
Operating Pressure	0~1.0 Mpa (0~150 Psi)
Negative Pressure	-100Kpa (-29.5 in-Hg)
Max Pressure	1.5 Mpa (232 Psi)
Operating Temperature	0~60°C (32 ~ 140 ℉)
Alternative Tube	Polyurethane and Nylon tube

Fitting Structure:



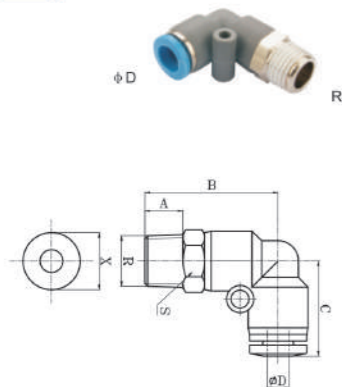
Specifications: (metric size)

GPC



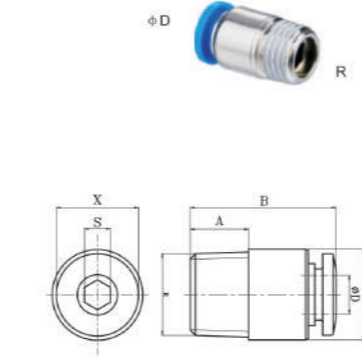
MODEL	D	R	A	B	S1	S2	X
GPC04-M5	4	M5	4	22.1	10	2	9.9
GPC04-M6	4	M6	4.5	22.5	10	2	9.9
GPC04-01	4	PT1/8	7.5	20.3	10	3	9.9
GPC04-02	4	PT1/4	9.5	19	14	3	9.9
GPC06-M5	6	M5	4	22.3	12	2	11.9
GPC06-M6	6	M6	4.5	23	12	2	11.9
GPC06-01	6	PT1/8	7.5	20.8	12	4	11.9
GPC06-02	6	PT1/4	9.5	23.8	14	4	11.9
GPC06-03	6	PT3/8	10.5	24.2	17	4	11.9
GPC06-04	6	PT1/2	13.5	26.6	21	4	11.9
GPC08-01	8	PT1/8	7.5	26.5	14	5	13.9
GPC08-02	8	PT1/4	9.5	24.7	14	6	13.9
GPC08-03	8	P 3/8	10.5	22	17	6	13.9
GPC08-04	8	PT1/2	13.5	25.3	21	6	13.9
GPC10-01	10	PT1/8	7.5	30	17	5	16.9
GPC10-02	10	PT1/4	9.5	31.3	17	6	16.9
GPC10-03	10	PT3/8	10.5	28.5	17	8	16.9
GPC10-04	10	PT1/2	13.5	25.9	21	8	16.9
GPC12-01	12	PT1/8	7.5	32.1	20	5	19.9
GPC12-02	12	PT1/4	9.5	34	20	6	19.9
GPC12-03	12	PT3/8	10.5	30.2	20	8	19.9
GPC12-04	12	P 1/2	13.5	32.2	21	8	19.9
GPC14-02	14	PT1/4	7.5	36	22	8	21.8
GPC14-03	14	PT3/8	10.5	35	22	8	21.8
GPC14-04	14	PT1/2	13.5	33	22	10	21.8
GPC16-03	16	PT3/8	10.5	37.1	24	8	23.8
GPC16-04	16	PT1/2	13.5	34.6	24	10	23.8

GPL



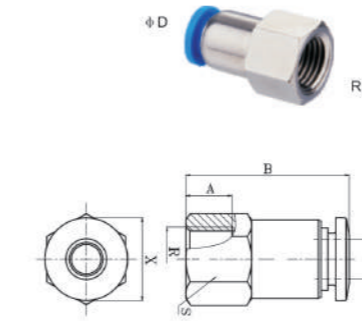
MODEL	D	R	A	B	C	S	X
GPL04-M5	4	M5	4	22.4	18.2	10	9.9
GPL04-M6	4	M6	4.5	22.9	18.2	10	9.9
GPL04-01	4	PT1/8	7.5	25.4	18.2	10	9.9
GPL04-02	4	PT1/4	9.5	28	18.2	14	9.9
GPL06-M5	6	M5	4	23.6	19	12	11.9
GPL06-M6	6	M6	4.5	24	19	12	11.9
GPL06-01	6	PT1/8	7.5	26.5	19	12	11.9
GPL06-02	6	PT1/4	9.5	28.6	19	14	11.9
GPL06-03	6	PT3/8	10.5	30	19	17	11.9
GPL06-04	6	PT1/2	13.5	32.5	19	21	11.9
GPL08-01	8	PT1/8	7.5	30	23	14	13.9
GPL08-02	8	PT1/4	9.5	32	23	14	13.9
GPL08-03	8	PT3/8	10.5	33	23	17	13.9
GPL08-04	8	PT1/2	13.5	36.5	23	21	13.9
GPL10-01	10	PT1/8	7.5	34.5	27.4	17	16.9
GPL10-02	10	PT1/4	9.5	36.5	27.4	17	16.9
GPL10-03	10	PT3/8	10.5	37.5	27.4	17	16.9
GPL10-04	10	PT1/2	13.5	40.8	27.4	21	16.9
GPL12-01	12	PT1/8	7.5	36.3	29.3	21	19.9
GPL12-02	12	PT1/4	9.5	38.5	29.3	21	19.9
GPL12-03	12	PT3/8	10.5	39.5	29.3	21	19.9
GPL12-04	12	PT1/2	13.5	42.5	29.3	21	19.9
GPL14-03	14	PT3/8	10.5	40.5	30.5	22	21.8
GPL14-04	14	PT1/2	13.5	43.5	30.5	22	21.8
GPL16-03	16	PT3/8	10.5	44	32.5	24	23.8
GPL16-04	16	PT1/2	13.5	47	32.5	24	23.8

GPC



MODEL	D	R	A	B	P	S	X
GPOC04-M5	4	M5	4	22.1	10	2	9.9
GPOC04-M6	4	M6	4.5	22.5	10	2	9.9
GPOC04-01	4	PT1/8	7.5	20.3	10	3	9.9
GPOC04-02	4	PT1/4	9.5	19	14	3	9.9
GPOC06-M5	6	M5	4	22.3	12	2	11.9
GPOC06-M6	6	M6	4.5	23	12	2	11.9
GPOC06-01	6	PT1/8	7.5	20.8	12	4	11.9
GPOC06-02	6	PT1/4	9.5	23.8	14	4	11.9
GPOC06-03	6	PT3/8	10.5	24.2	17	4	11.9
GPOC06-04	6	PT1/2	13.5	26.6	21	4	11.9
GPOC08-01	8	PT1/8	7.5	26.5	14	5	13.9
GPOC08-02	8	PT1/4	9.5	24.7	14	6	13.9
GPOC08-03	8	PT3/8	10.5	22	17	6	13.9
GPOC08-04	8	PT1/2	13.5	25.3	21	6	13.9
GPOC10-01	10	PT1/8	7.5	30	17	5	16.9
GPOC10-02	10	PT1/4	9.5	31.3	17	6	16.9
GPOC10-03	10	PT3/8	10.5	28.5	17	8	16.9
GPOC10-04	10	PT1/2	13.5	25.9	21	8	16.9
GPOC12-01	12	PT1/8	7.5	32.1	20	5	19.9
GPOC12-02	12	PT1/4	9.5	34	20	6	19.9
GPOC12-03	12	PT3/8	10.5	30.2	20	8	19.9
GPOC12-04	12	PT1/2	13.5	32.2	21	8	19.9
GPOC14-02	14	R1/4	9.5	36	22	8	21.8
GPOC14-03	14	R3/8	10.5	35	22	8	21.8
GPOC14-04	14	R1/2	13.5	33	22	10	21.8
GPOC16-03	16	R3/8	10.5	37.1	24	8	23.8
GPOC16-04	16	R1/2	13.5	34.6	24	10	23.8

GPCF



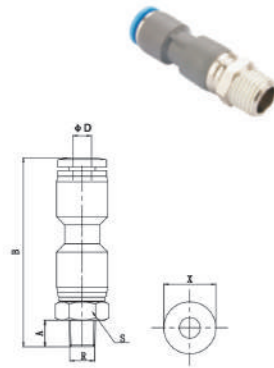
MODEL	D	R	A	B	S	X
GPCF04-01	4	PT1/8	8	24.8	12	9.9
GPCF04-02	4	PT1/4	11	27.8	17	9.9
GPCF06-01	6	PT1/8	8	25	12	11.9
GPCF06-02	6	PT1/4	11	28	17	11.9
GPCF06-03	6	PT3/8	12	29	20	11.9
GPCF06-04	6	PT1/2	14	31	24	11.9
GPCF08-01	8	PT1/8	8	27.1	14	13.9
GPCF08-02	8	PT1/4	11	30	17	13.9
GPCF08-03	8	PT3/8	12	31	20	13.9
GPCF08-04	8	PT1/2	14	33.1	24	13.9
GPCF10-01	10	PT1/8	8	30.3	17	16.9
GPCF10-02	10	PT1/4	11	33.3	17	16.9
GPCF10-03	10	PT3/8	12	34.3	20	16.9
GPCF10-04	10	PT1/2	14	36.3	24	16.9
GPCF12-01	12	PT1/8	8	31.5	20	19.9
GPCF12-02	12	PT1/4	11	34.5	20	19.9
GPCF12-03	12	PT3/8	12	35.5	20	19.9
GPCF12-04	12	PT1/2	14	37.5	24	19.9

GPSC



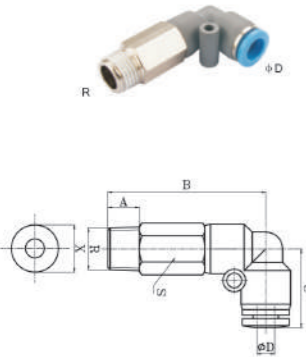
MODEL	D	R	A	B	S	X	L	
							min	max
GPSC04-M5	4	M5	3.8	20.5	8	9.9	27.5	30.5
GPSC04-01	4	PT1/8	7.5	23.4	10	9.9	41	45.5
GPSC04-02	4	PT1/4	10.5	25.3	14	9.9	44	51.3
GPSC06-M5	6	M5	3.8	21.8	8	11.9	27.5	30.5
GPSC06-01	6	PT1/8	7.5	23	10	11.9	41	45.5
GPSC06-02	6	PT1/4	10.5	24.8	14	11.9	44	51.3
GPSC06-03	6	PT3/8	12	27	19	11.9	46.7	53.3
GPSC06-04	6	PT1/2	14	29.5	24	11.9	51.8	58.8
GPSC08-01	8	PT1/8	7.5	25.7	10	13.9	41	45.5
GPSC08-02	8	PT1/4	10.5	28.8	14	13.9	44	51.3
GPSC08-03	8	PT3/8	12	29.7	19	13.9	46.7	53.5
GPSC08-04	8	PT1/2	14	32.1	24	13.9	51.8	58.8
GPSC10-02	10	PT1/4	10.5	31.7	14	16.9	44	51.3
GPSC10-03	10	PT3/8	12	32.6	19	16.9	46.7	53.5
GPSC10-04	10	PT1/2	14	35.2	24	16.9	51.8	58.8
GPSC12-02	12	PT1/4	10.5	33.7	14	19.9	44	51.3
GPSC12-03	12	PT3/8	12	34.5	19	19.9	46.7	53.3
GPSC12-04	12	PT1/2	14	36	24	19.9	51.8	58.8

GPRC



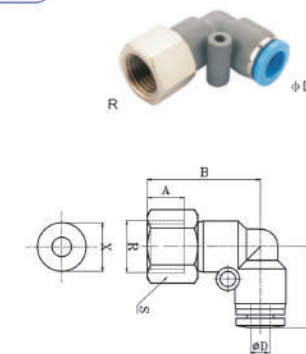
MODEL	D	R	A	B	S	X
GPRC04-M5	4	M5	4	47.5	14	9.9
GPRC04-01	4	PT1/8	7.5	50.5	14	9.9
GPRC04-02	4	PT1/4	9.5	52.5	14	9.9
GPRC06-M5	6	M5	4	47.5	14	11.9
GPRC06-01	6	PT1/8	7.5	50.5	14	11.9
GPRC06-02	6	PT1/4	9.5	52.5	14	11.9
GPRC06-03	6	PT3/8	10.5	53	17	11.9
GPRC06-04	6	PT1/2	13.5	56.5	21	11.9
GPRC08-01	8	PT1/8	7.5	50.5	14	13.9
GPRC08-02	8	PT1/4	9.5	52.5	14	13.9
GPRC08-03	8	PT3/8	10.5	53	17	13.9
GPRC08-04	8	PT1/2	13.5	56.5	21	13.9
GPRC10-01	10	PT1/8	7.5	60	17	16.9
GPRC10-02	10	PT1/4	9.5	62	17	16.9
GPRC10-03	10	PT3/8	10.5	63.5	17	16.9
GPRC10-04	10	PT1/2	13.5	66	21	16.9
GPRC12-01	12	PT1/8	7.5	61	21	19.9
GPRC12-02	12	PT1/4	9.5	63	21	19.9
GPRC12-03	12	PT3/8	10.5	64.5	21	19.9
GPRC12-04	12	PT1/2	13.5	67	21	19.9

GPLL



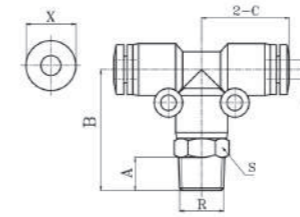
MODEL	D	R	A	B	C	S	X
GPLL04-M5	4	M5	4	33.4	18.2	10	9.9
GPLL04-M6	4	M6	4.5	34	18.2	10	9.9
GPLL04-01	4	PT1/8	7.5	36	18.2	10	9.9
GPLL04-02	4	PT1/4	9.5	38	18.2	14	9.9
GPLL06-M5	6	M5	4	37	19	12	11.9
GPLL06-M6	6	M6	4.5	37.6	19	12	11.9
GPLL06-01	6	PT1/8	7.5	39.6	19	12	11.9
GPLL06-02	6	PT1/4	9.5	41.5	19	14	11.9
GPLL06-03	6	PT3/8	10.5	43.6	19	17	11.9
GPLL06-04	6	PT1/2	13.5	46.5	19	21	11.9
GPLL08-01	8	PT1/8	7.5	43	23	14	13.9
GPLL08-02	8	PT1/4	9.5	45	23	14	13.9
GPLL08-03	8	PT3/8	10.5	47	23	17	13.9
GPLL08-04	8	PT1/2	13.5	50	23	21	13.9
GPLL10-01	10	PT1/8	7.5	48.7	27.4	17	16.9
GPLL10-02	10	PT1/4	9.5	50.7	27.4	17	16.9
GPLL10-03	10	PT3/8	10.5	51.7	27.4	17	16.9
GPLL10-04	10	PT1/2	13.5	54.7	27.4	21	16.9
GPLL12-02	12	PT1/4	9.5	58.3	29.3	19	19.9
GPLL12-03	12	PT3/8	10.5	59.3	29.3	19	19.9
GPLL12-04	12	PT1/2	13.5	62.3	29.3	19	19.9

GPLF



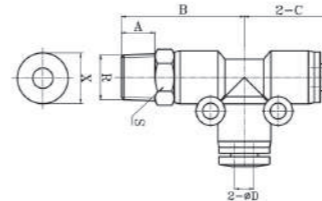
MODEL	D	R	A	B	C	S	X
GPLF04-01	4	PT1/8	8	23.4	18.2	12	9.9
GPLF04-02	4	PT1/4	11	26.5	18.2	17	9.9
GPLF06-01	6	PT1/8	8	24.5	19	12	11.9
GPLF06-02	6	PT1/4	11	27.6	19	17	11.9
GPLF06-03	6	PT3/8	12	28.6	19	20	11.9
GPLF06-04	6	PT1/2	14	30.6	19	24	11.9
GPLF08-01	8	PT1/8	8	28	23	14	13.9
GPLF08-02	8	PT1/4	11	31	23	17	13.9
GPLF08-03	8	PT3/8	12	32	23	20	13.9
GPLF08-04	8	PT1/2	14	34	23	24	13.9
GPLF10-01	10	PT1/8	8	32.2	27.4	17	16.9
GPLF10-02	10	PT1/4	11	35.2	27.4	17	16.9
GPLF10-03	10	PT3/8	12	36.2	27.4	20	16.9
GPLF10-04	10	PT1/2	14	38.2	27.4	24	16.9
GPLF12-02	12	PT1/4	11	36.8	29.3	20	19.9
GPLF12-03	12	PT3/8	12	37.8	29.3	20	19.9
GPLF12-04	12	PT1/2	14	41	29.3	24	19.9

GPB



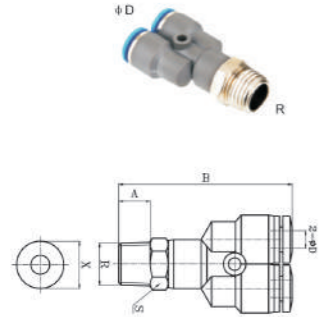
MODEL	D	R	A	B	C	S	X
GPB04-M5	4	M5	4	23.4	19.1	10	9.9
GPB04-M6	4	M6	4.5	23.9	19.1	10	9.9
GPB04-01	4	PT1/8	7.5	26.4	19.1	10	9.9
GPB04-02	4	PT1/4	9.5	28.5	19.1	14	9.9
GPB06-M5	6	M5	4	23.9	19.3	12	11.9
GPB06-M6	6	M6	4.5	24.4	19.3	12	11.9
GPB06-01	6	PT1/8	7.5	26.9	19.3	12	11.9
GPB06-02	6	PT1/4	9.5	28.9	19.3	14	11.9
GPB06-03	6	PT3/8	10.5	30.4	19.3	17	11.9
GPB06-04	6	PT1/2	13.5	33.5	19.3	21	11.9
GPB08-01	8	PT1/8	7.5	29.5	23	14	13.9
GPB08-02	8	PT1/4	9.5	31.7	23	14	13.9
GPB08-03	8	PT3/8	10.5	33.2	23	17	13.9
GPB08-04	8	PT1/2	13.5	36.2	23	21	13.9
GPB10-01	10	PT1/8	7.5	35.3	28.1	17	16.9
GPB10-02	10	PT1/4	9.5	37.3	28.1	17	16.9
GPB10-03	10	PT3/8	10.5	38.3	28.1	17	16.9
GPB10-04	10	PT1/2	13.5	41.5	28.1	21	16.9
GPB12-01	12	PT1/8	7.5	36.3	29.3	21	19.9
GPB12-02	12	PT1/4	9.5	38.5	29.3	21	19.9
GPB12-03	12	PT3/8	10.5	39.5	29.3	21	19.9
GPB12-04	12	PT1/2	13.5	42.5	29.3	21	19.9
GPB14-03	14	PT3/8	10.5	40.5	30	22	21.8
GPB14-04	14	PT1/2	13.5	43.5	30	22	21.8
GPB16-03	16	PT3/8	10.5	44	32.9	24	23.8
GPB16-04	16	PT1/2	13.5	47	32.9	24	23.8

GPD



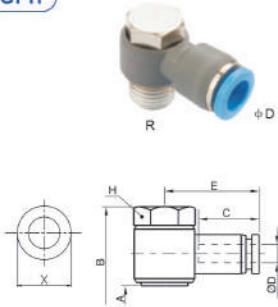
MODEL	D	R	A	B	C	S	X
GPD04-M5	4	M5	4	23.4	19.1	10	9.9
GPD04-M6	4	M6	4.5	23.9	19.1	10	9.9
GPD04-01	4	PT1/8	7.5	26.5	19.1	10	9.9
GPD04-02	4	PT1/4	9.5	28.5	19.1	14	9.9
GPD06-M5	6	M5	4	24	19.3	12	11.9
GPD06-M6	6	M6	4.5	24.4	19.3	12	11.9
GPD06-01	6	PT1/8	7.5	27	19.3	12	11.9
GPD06-02	6	PT1/4	9.5	28.9	19.3	14	11.9
GPD06-03	6	PT3/8	10.5	30.5	19.3	17	11.9
GPD06-04	6	PT1/2	13.5	33.4	19.3	21	11.9
GPD08-01	8	PT1/8	7.5	29.8	23	14	13.9
GPD08-02	8	PT1/4	9.5	31.8	23	14	13.9
GPD08-03	8	PT3/8	10.5	33.3	23	17	13.9
GPD08-04	8	PT1/2	13.5	36.3	23	21	13.9
GPD10-01	10	PT1/8	7.5	35.3	28.1	17	16.9
GPD10-02	10	PT1/4	9.5	37.3	28.1	17	16.9
GPD10-03	10	PT3/8	10.5	38.3	28.1	17	16.9
GPD10-04	10	PT1/2	13.5	41.3	28.1	21	16.9
GPD12-01	12	PT1/8	7.5	36.5	29.3	19	19.9
GPD12-02	12	PT1/4	9.5	38.5	29.3	19	19.9
GPD12-03	12	PT3/8	10.5	39.4	29.3	19	19.9
GPD12-04	12	PT1/2	13.5	42.5	29.3	21	19.9
GPD14-03	14	PT3/8	10.5	40.5	30.5	22	21.8
GPD14-04	14	PT1/2	13.5	43.5	30.5	22	21.8
GPD16-03	16	PT3/8	10.5	42.8	32.9	24	23.8
GPD16-04	16	PT1/2	13.5	45.8	32.9	24	23.8

GPX



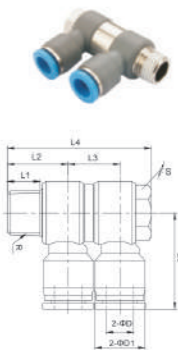
MODEL	D	R	A	B	S	X
GPX04-M5	4	M5	4	41.2	10	9.9
GPX04-M6	4	M6	4.5	41.5	10	9.9
GPX04-01	4	PT1/8	7.5	44.2	10	9.9
GPX04-02	4	PT1/4	9.5	46.2	14	9.9
GPX06-M5	6	M5	4	42	12	11.9
GPX06-M6	6	M6	4.5	42.5	12	11.9
GPX06-01	6	PT1/8	7.5	45	12	11.9
GPX06-02	6	PT1/4	9.5	46.9	14	11.9
GPX06-03	6	PT3/8	10.5	48.5	17	11.9
GPX06-04	6	PT1/2	13.5	51.5	21	11.9
GPX08-01	8	PT1/8	7.5	47.8	14	13.9
GPX08-02	8	PT1/4	9.5	49.8	14	13.9
GPX08-03	8	PT3/8	10.5	51.3	17	13.9
GPX08-04	8	PT1/2	13.5	54.3	21	13.9
GPX10-01	10	PT1/8	7.5	56.3	17	16.9
GPX10-02	10	PT1/4	9.5	58.3	17	16.9
GPX10-03	10	PT3/8	10.5	59.5	17	16.9
GPX10-04	10	PT1/2	13.5	62.5	21	16.9
GPX12-01	12	PT1/8	7.5	59.5	21	19.9
GPX12-02	12	PT1/4	9.5	61.6	21	19.9
GPX12-03	12	PT3/8	11.5	62.6	21	19.9
GPX12-04	12	PT1/2	13.5	65.6	21	19.9

GPH



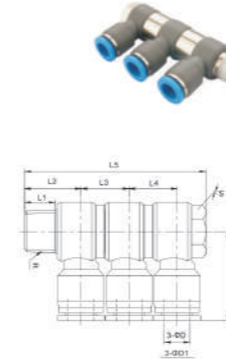
MODEL	ΦD	R	A	B	H	E	X	C
GPH04-M5	4	M5	3.8	18	8	20.5	9.9	9.9
GPH04-01	4	PT1/8	7.5	24.3	10	23.4	9.9	9.9
GPH06-M5	6	M5	3.8	18	8	21.8	11.9	11.9
GPH06-01	6	PT1/8	7.5	24.3	10	23	11.9	11.9
GPH06-02	6	PT1/4	9.5	26.5	14	25	11.9	11.9
GPH06-03	6	PT3/8	10.5	32.5	19	27	11.9	11.9
GPH08-01	8	PT1/8	7.5	24.3	10	25.6	13.9	13.9
GPH08-02	8	PT1/4	9.5	26.5	14	26.6	13.9	13.9
GPH08-03	8	PT3/8	10.5	32.5	19	29.6	13.9	13.9
GPH08-04	8	PT1/2	13.5	38.2	24	32.6	13.9	13.9
GPH10-02	10	PT1/4	9.5	26.5	14	32	16.9	16.9
GPH10-03	10	PT3/8	10.5	32.5	19	32.6	16.9	16.9
GPH10-04	10	PT1/2	13.5	38.2	24	35.5	16.9	16.9
GPH12-03	12	PT3/8	10.5	32.5	19	35.5	19.9	19.9
GPH12-04	12	PT1/2	13.5	38.2	24	36	19.9	19.9

GPHD



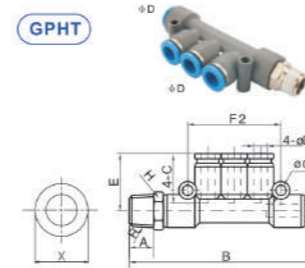
MODEL	ΦD	R	L1	L2	L3	L4	L5	ΦD1	S
GPHD04-01	4	PT1/8	7.5	14	15	38	23.5	11.5	12
GPHD04-02	4	PT1/4	9.5	16.5	15	41.5	25.5	11.5	14
GPHD06-01	6	PT1/8	7.5	14	15	38	23.5	13.5	12
GPHD06-02	6	PT1/4	9.5	16.5	15	41.5	25.4	13.5	14
GPHD06-03	6	PT3/8	10.5	18.5	15.7	49.5	29.5	13.5	19
GPHD08-01	8	PT1/8	7.5	14.5	15	38	26.5	15	12
GPHD08-02	8	PT1/4	9.5	17.5	15	41.5	29	15	14
GPHD08-03	8	PT3/8	10.5	18.5	15.7	49.5	30	15	19
GPHD08-04	8	PT1/2	13.5	25.5	21.5	60	32.5	15	24
GPHD10-01	10	PT1/8	7.5	18	19	44	30.5	19	12
GPHD10-02	10	PT1/4	9.5	18.5	21.5	44.8	32.5	19	14
GPHD10-03	10	PT3/8	10.5	20.5	21.5	53	33	19	19
GPHD10-04	10	PT1/2	13.5	25.5	21.5	60	36	19	24
GPHD12-01	12	PT1/4	9.5	18.5	21.5	44.8	33.5	21.5	14
GPHD12-02	12	PT3/8	10.5	22	21.5	53	35.5	21.5	19
GPHD12-04	12	PT1/2	13.5	25.5	21.5	60	36.5	21.5	24

GPKB



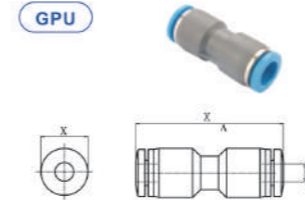
MODEL	ΦD	R	L1	L2	L3	L4	L5	L6	ΦD1	S
GPHT04-01	4	PT1/8	7.5	14	15	15	53	23.5	11.5	12
GPHT04-02	4	PT1/4	9.5	16.5	15	15	56.5	25.5	11.5	14
GPHT06-01	6	PT1/8	7.5	14	15	15	53	23.5	13.5	12
GPHT06-02	6	PT1/4	9.5	16.5	15	15	56.5	25.4	13.5	14
GPHT06-03	6	PT3/8	10.5	18.5	15.7	15.7	65.3	29.5	13.5	19
GPHT08-01	8	PT1/8	7.5	14.5	15	15	53	26.5	15	12
GPHT08-02	8	PT1/4	9.5	17.5	15	15	56.5	29	15	14
GPHT08-03	8	PT3/8	10.5	18.5	15.7	15.7	65.3	30	15	19
GPHT08-04	8	PT1/2	13.5	25.5	21.5	21.5	81.5	32.5	15	24
GPHT10-01	10	PT1/8	7.5	18	19	19	63	30.5	19	12
GPHT10-02	10	PT1/4	9.5	18.5	21.5	21.5	69.5	32.5	19	14
GPHT10-03	10	PT3/8	10.5	20.5	21.5	21.5	78	33	19	19
GPHT10-04	10	PT1/2	13.5	25.5	21.5	21.5	81.5	36	19	24
GPHT12-02	12	PT1/4	9.5	18.5	21.5	21.5	69.5	33.5	21.5	14
GPHT12-03	12	PT3/8	10.5	22	21.5	21.5	78	35.5	21.5	19
GPHT12-04	12	PT1/2	13.5	25.5	21.5	21.5	81.5	36.5	21.5	24

GPHT



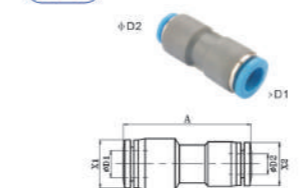
MODEL	ΦD	Φd	A	H	R	E	F	B	X	C
GPKB04-01	4	3.3	7.5	10	PT1/8	19.5	35.7	64	9.9	14.9
GPKB04-02	4	3.3	9.5	14	PT1/4	19.5	35.7	68	9.9	14.9
GPKB06-01	6	4.3	7.5	12	PT1/8	20.1	41.6	69.1	11.9	15.5
GPKB06-02	6	4.3	9.5	14	PT1/4	20.1	41.6	71.7	11.9	15.5
GPKB06-03	6	4.3	10.5	17	PT3/8	20.1	41.6	73.6	11.9	15.5
GPKB08-01	8	4.3	7.5	14	PT1/8	24.5	48	89	13.9	18.3
GPKB08-02	8	4.3	9.5	14	PT1/4	24.5	48	91.5	13.9	18.3
GPKB08-03	8	4.3	10.5	17	PT3/8	24.5	48	93	13.9	18.3

GPU



MODEL	D	A	X
GPU04	4	34.5	9.9
GPU06	6	35.1	11.9
GPU08	8	39.7	13.9
GPU10	10	47.5	16.9
GPU12	12	48.5	19.9
GPU14	14	51	21.8
GPU16	16	50.5	23.8

GPG



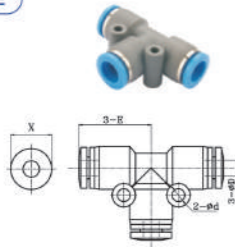
MODEL	D1	D2	A	X1	X2
GPG06-04	6	4	35.4	11.9	9.9
GPG08-04	8	4	39.7	13.9	9.9
GPG08-06	8	6	39.7	13.9	11.9
GPG10-06	10	6	47.5	16.9	11.9
GPG10-08	10	8	47.5	16.9	13.9
GPG12-10	12	10	48.5	19.9	16.9
GPG14-12	14	12	50.5	21.8	19.9
GPG16-12	16	12	50.5	21.8	19.9
GPG16-14	16	14	51	23.8	21.8

GPV



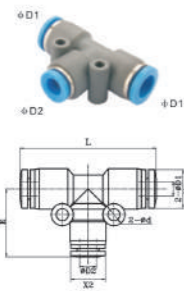
MODEL	D	A	d	X
GPV04	4	18.2	3.2	9.9
GPV06	6	19	3.2	11.9
GPV08	8	23	3.2	13.9
GPV10	10	27.4	4.2	16.9
GPV12	12	29.3	4.2	19.9
GPV14	14	31	5.2	21.8
GPV16	16	33.5	5.2	23.8

GPE



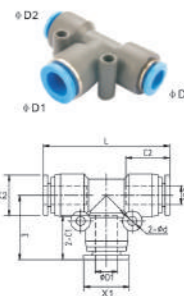
MODEL	D	E	d	X
GPE04	4	19.1	3.2	9.9
GPE06	6	19.3	3.2	11.9
GPE08	8	23	3.2	13.9
GPE10	10	28.1	4.2	16.9
GPE12	12	29.3	4.2	19.9
GPE14	14	30.5	5.2	21.8
GPE16	16	32.5	5.2	23.8

GPEG



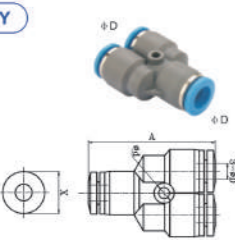
MODEL	D1	D2	E	L	d	X1	X2
GPEG06-04	6	4	19	38.6	3.2	11.9	9.9
GPEG08-04	8	4	22.5	46	3.2	13.9	9.9
GPEG08-06	8	6	22.7	46	3.2	13.9	11.9
GPEG10-06	10	6	28.1	56.2	4.2	16.9	11.9
GPEG10-08	10	8	28.5	56.2	4.2	16.9	13.9
GPEG12-10	12	10	28.9	58.6	4.2	19.9	16.9
GPEG14-12	14	12	30.5	30	5.2	21.8	19.9
GPEG16-12	16	12	32.5	32.5	5.2	23.8	19.9
GPEG16-14	16	14	32.5	32.5	5.2	23.8	21.8

GPEW



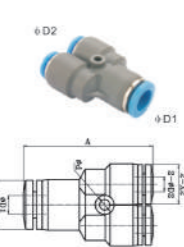
MODEL	ΦD1	ΦD2	C1	C2	Φd	E	L	X1	X2
GPEW06-04	6	4	15.5	15.4	3.3	19.1	38	11.9	9.9
GPEW08-04	8	4	17.8	15.4	3.3	22.5	43.9	13.9	9.9
GPEW08-06	8	6	17.8	15.5	3.3	22.5	44	13.9	11.9
GPEW10-06	10	6	21	16	4.3	27.1	55.8	16.9	11.9
GPEW10-08	10	8	21	17.8	4.3	27.9	55	16.9	13.9
GPEW12-08	12	8	22.9	17.8	4.3	29.3	57	19	13.9
GPEW12-10	12	10	22.9	21	4.3	29.3	57.8	19.9	16.9
GPEW16-12	16	12	24	22.9	4.3	32.5	63.6	23.8	19.9

GPY



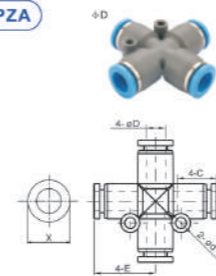
MODEL	D	A	d	X
GPY04	4	36.5	3.2	9.9
GPY06	6	37.1	3.2	11.9
GPY08	8	40.9	3.2	13.9
GPY10	10	49	4.2	16.9
GPY12	12	52.5	4.2	19.9
GPY14	14	57	4.2	21.8
GPY16	16	59.5	4.2	23.8

GPW



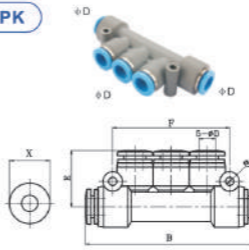
MODEL	D1	D2	A	d	X1	X2
GPW06-04	6	4	37	3.2	11.9	9.9
GPW08-04	8	4	40.5	3.2	13.9	9.9
GPW08-06	8	6	40.5	3.2	13.9	11.9
GPW10-06	10	6	49	4.2	16.9	11.9
GPW10-08	10	8	49	4.2	16.9	13.9
GPW12-10	12	10	52.2	4.2	19.9	16.9
GPW14-12	14	12	56	4.2	21.8	19.9
GPW16-12	16	12	57	4.2	23.8	19.9
GPW16-14	16	14	58.5	4.2	23.8	21.8

GPZA



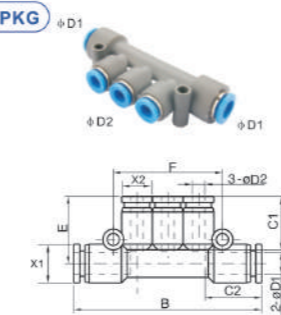
MODEL	ΦD	Φd	E	X	C
GPZA04	4	3.3	17.5	9.9	14.9
GPZA06	6	3.3	19.1	11.9	15.5
GPZA08	8	3.3	23	13.9	17.8
GPZA10	10	4.3	27.9	16.9	21
GPZA12	12	4.3	29.3	19.9	22.9

GPK



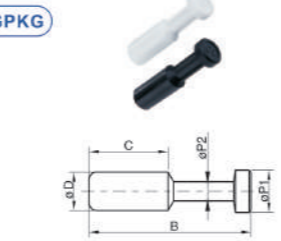
MODEL	D	B	d	F	E	X
GPK04	4	57	3.2	36	19	9.9
GPK06	6	61	3.2	42	20.3	11.9
GPK08	8	81.6	3.2	48	24.3	13.9
GPK10	10	92.7	4.2	60.2	28.2	16.9
GPK12	12	100.5	4.2	68.5	30	19.9

GPKG



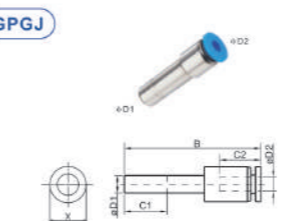
MODEL	ΦD1	ΦD2	Φd	E	F	B	X1	X2	C1	C2
GPKG06-04	6	4	3.3	19	36	57.1	11.9	9.9	14.9	15.5
GPKG08-04	8	4	3.3	20	42	61.1	13.9	9.9	14.9	18.3
GPKG08-06	8	6	4.3	20.1	42	61.1	13.9	11.9	15.5	18.3
GPKG10-06	10	6	4.3	23.8	48	81.8	16.9	11.9	15.5	21
GPKG10-08	10	8	4.3	24	48	81.8	16.9	13.9	18.3	21

GPKG



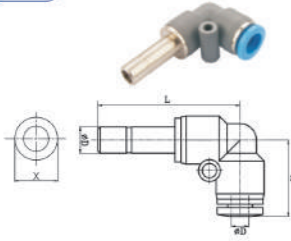
MODEL	ΦD	B	ΦP1	ΦP2	C
GPP04	4	28	5	3	15
GPP06	6	33	7	3	17
GPP08	8	37	9	4	18
GPP10	10	42	11	5	20.5
GPP12	12	44	13	6	23

GPGJ



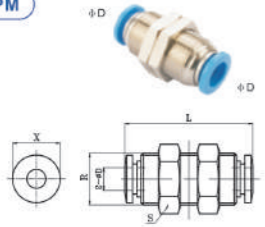
MODEL	ΦD1	ΦD2	B	C1	X	C2
GPGJ06-04	6	4	33.3	17	9.9	14.9
GPGJ08-04	8	4	35.3	18	9.9	14.9
GPGJ08-06	8	6	38.8	18	11.9	15.9
GPGJ10-06	10	6	36.8	20	11.9	15.9
GPGJ10-08	10	8	42	20	13.9	18.3
GPGJ12-06	12	6	41	23.5	11.9	15.9
GPGJ12-08	12	8	40	23.5	13.9	18.3
GPGJ12-10	12	10	46.4	23.5	16.9	20.5

GPLJ



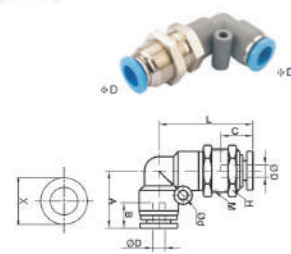
MODEL	D	A	L	X
GPLJ04	4	18.2	34	9.9
GPLJ06	6	19	35.2	11.9
GPLJ08	8	23	41	13.9
GPLJ10	10	27.5	46.7	16.9
GPLJ12	12	29.3	50.5	19.9

GPM



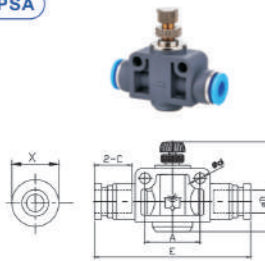
MODEL	D	R	S	L	X
GPM04	4	M12x1	14	32.8	9.9
GPM06	6	M14x1	17	33.5	11.9
GPM08	8	M16x1	19	36.5	13.9
GPM10	10	M20x1	24	42	16.9
GPM12	12	M22x1	26	45	19.9
GPM14	14	M24x1	27	46	21.8
GPM16	16	M26x1	29	48	23.8

GPLM



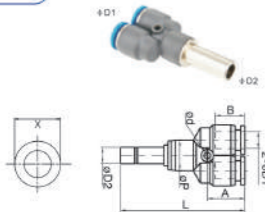
MODEL	L	A	B	C	ΦD	Φd	M	H	X
GPLM06	36.5	19	15.5	19	6	3.3	M14	17	11.9
GPLM08	44.5	23	17.8	23	8	3.3	M16	20	13.9
GPLM10	50	27.4	20.5	27.4	10	4.3	M20	24	16.9
GPLM12	53.5	29.3	22.9	29.3	12	4.3	M22	26	19.9
GPLM16	62.6	32.5	24	32.5	16	4.3	M27	29	23.8

GPSA



MODEL	ΦD	Φd	A	B		E	C	X
				min	max			
GPSA04	4	3.2	13.7	25.7	28.7	39.5	14.4	9.9
GPSA06	6	4.3	19.5	38.3	45.3	47.1	15.5	11.9
GPSA08	8	4.3	21.5	41.4	48.5	52	16.8	13.9
GPSA10	10	4.3	25.5	46.3	53.5	62.3	19.5	16.9
GPSA12	12	4.3	31.7	49.3	55.5	73.6	22.3	19.9

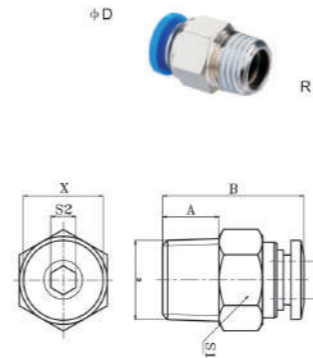
GPWJ



MODEL	L	A	B	ΦD1	ΦD2	Φd	Φp	X
GPWJ06-04	53.7	114	14.9	4	6	3.3	13	11.9
GPWJ08-06	57.9	14.6	15.5	6	8	3.3	14.8	13.9
GPWJ10-08	68.2	17.9	17.8	8	10	3.3	18.4	16.9
GPWJ12-10	73.3	20.4	20.3	10	12	4.3	21	19.9

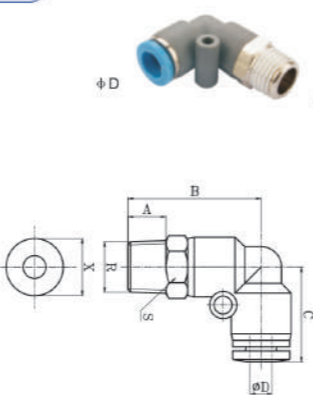
Specifications: (Inches size)

GPC



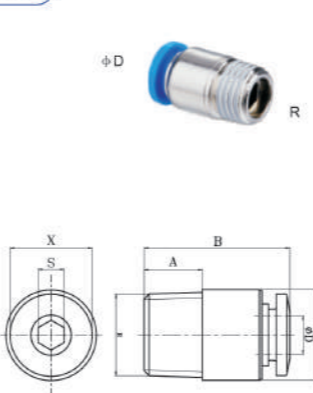
MODEL	D	R	A	B	S1	S2	X
GPC5/32-01N	5/32	NPT1/8	7.5	20.3	7/16	3/32	9.9
GPC5/32-02N	5/32	NPT1/4	9.5	19	9/16	3/32	9.9
GPC1/4-01N	1/4	NPT1/8	7.5	20.8	1/2	5/32	11.9
GPC1/4-02N	1/4	NPT1/4	9.5	23.8	9/16	5/32	11.9
GPC1/4-03N	1/4	NPT3/8	10.5	24.2	11/16	5/32	11.9
GPC1/4-04N	1/4	NPT1/2	13.5	26.6	7/8	5/32	11.9
GPC5/16-01N	5/16	NPT1/8	7.5	26.5	9/16	3/16	13.9
GPC5/16-02N	5/16	NPT1/4	9.5	24.7	9/16	7/32	13.9
GPC5/16-03N	5/16	NPT3/8	10.5	22	11/16	7/32	13.9
GPC5/16-04N	5/16	NPT1/2	13.5	25.3	7/8	7/32	13.9
GPC3/8-01N	3/8	NPT1/8	7.5	30	11/16	3/16	16.9
GPC3/8-02N	3/8	NPT1/4	9.5	31.3	11/16	7/32	16.9
GPC3/8-03N	3/8	NPT3/8	10.5	28.5	11/16	5/16	16.9
GPC3/8-04N	3/8	NPT1/2	13.5	25.9	7/8	5/16	16.9
GPC1/2-01N	1/2	NPT1/8	7.5	32.1	7/8	3/16	19.9
GPC1/2-02N	1/2	NPT1/4	9.5	34	7/8	1/4	19.9
GPC1/2-03N	1/2	NPT3/8	10.5	30.2	7/8	5/16	19.9
GPC1/2-04N	1/2	NPT1/2	13.5	32.2	7/8	5/16	19.9

GPL



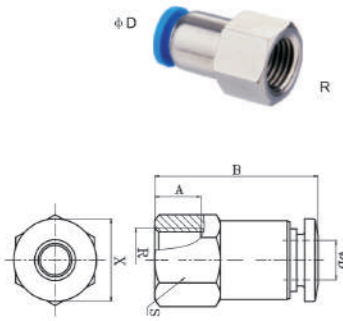
MODEL	D	R	A	B	C	S	X
GPL5/32-01N	5/32	NPT1/8	7.5	25.4	18.2	7/16	9.9
GPL5/32-02N	5/32	NPT1/4	9.5	28	18.2	9/16	9.9
GPL1/4-01N	1/4	NPT1/8	7.5	26.5	19	1/2	11.9
GPL1/4-02N	1/4	NPT1/4	9.5	28.6	19	9/16	11.9
GPL1/4-03N	1/4	NPT3/8	10.5	30	19	11/16	11.9
GPL1/4-04N	1/4	NPT1/2	13.5	32.5	19	7/8	11.9
GPL5/16-01N	5/16	NPT1/8	7.5	30	23	9/16	13.9
GPL5/16-02N	5/16	NPT1/4	9.5	32	23	9/16	13.9
GPL5/16-03N	5/16	NPT3/8	10.5	33	23	11/16	13.9
GPL5/16-04N	5/16	NPT1/2	13.5	36.5	23	7/8	13.9
GPL3/8-01N	3/8	NPT1/8	7.5	34.5	27.4	11/16	16.9
GPL3/8-02N	3/8	NPT1/4	9.5	36.5	27.4	11/16	16.9
GPL3/8-03N	3/8	NPT3/8	10.5	37.5	27.4	11/16	16.9
GPL3/8-04N	3/8	NPT1/2	13.5	40.8	27.4	7/8	16.9
GPL1/2-01N	1/2	NPT1/8	7.5	36.3	29.3	7/8	19.9
GPL1/2-02N	1/2	NPT1/4	9.5	38.5	29.3	7/8	19.9
GPL1/2-03N	1/2	NPT3/8	10.5	39.5	29.3	7/8	19.9
GPL1/2-04N	1/2	NPT1/2	13.5	42.5	29.3	7/8	19.9

GPOC



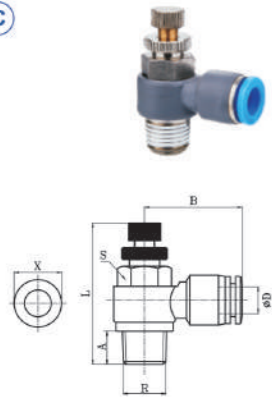
MODEL	D	R	A	B	P	S	X
GPC5/32-01N	5/32	NPT1/8	7.5	20.3	11	3/32	9.9
GPC5/32-02N	5/32	NPT1/4	9.5	19	14	3/32	9.9
GPC1/4-01N	1/4	NPT1/8	7.5	20.8	12.7	5/32	11.9
GPC1/4-02N	1/4	NPT1/4	9.5	23.8	14	5/32	11.9
GPC1/4-03N	1/4	NPT3/8	10.5	24.2	17.5	5/32	11.9
GPC1/4-04N	1/4	NPT1/2	13.5	26.6	22.2	5/32	11.9
GPC5/16-01N	5/16	NPT1/8	7.5	26.5	14	3/16	13.9
GPC5/16-02N	5/16	NPT1/4	9.5	24.7	14	7/32	13.9
GPC5/16-03N	5/16	NPT3/8	10.5	22	17.5	7/32	13.9
GPC5/16-04N	5/16	NPT1/2	13.5	25.3	22.2	7/32	13.9
GPC3/8-01N	3/8	NPT1/8	7.5	30	17	3/16	16.9
GPC3/8-02N	3/8	NPT1/4	9.5	31.3	17	7/32	16.9
GPC3/8-03N	3/8	NPT3/8	10.5	28.5	17.5	5/16	16.9
GPC3/8-04N	3/8	NPT1/2	13.5	25.9	22.2	5/16	16.9
GPC1/2-01N	1/2	NPT1/8	7.5	32.1	22.2	3/16	19.9
GPC1/2-02N	1/2	NPT1/4	9.5	34	22.2	1/4	19.9
GPC1/2-03N	1/2	NPT3/8	10.5	30.2	22.2	5/16	19.9
GPC1/2-04N	1/2	NPT1/2	13.5	32.2	22.2	5/16	19.9

GPCF



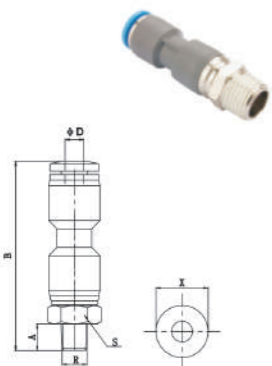
MODEL	D	R	A	B	S	X
GPCF5/32-01N	5/32	NPT1/8	8	24.8	12	9.9
GPCF5/32-02N	5/32	NPT1/4	11	27.8	17	9.9
GPCF1/4-01N	1/4	NPT1/8	8	25	12	11.9
GPCF1/4-02N	1/4	NPT1/4	11	28	17	11.9
GPCF1/4-03N	1/4	NPT3/8	12	29	20	11.9
GPCF1/4-04N	1/4	NPT1/2	14	31	24	11.9
GPCF5/16-01N	5/16	NPT1/8	8	27.1	14	13.9
GPCF5/16-02N	5/16	NPT1/4	11	30	17	13.9
GPCF5/16-03N	5/16	NPT3/8	12	31	20	13.9
GPCF5/16-04N	5/16	NPT1/2	14	33.1	24	13.9
GPCF3/8-01N	3/8	NPT1/8	8	30.3	17	16.9
GPCF3/8-02N	3/8	NPT1/4	11	33.3	17	16.9
GPCF3/8-03N	3/8	NPT3/8	12	34.3	20	16.9
GPCF3/8-04N	3/8	NPT1/2	14	36.3	24	16.9
GPCF1/2-01N	1/2	NPT1/8	8	31.5	20	19.9
GPCF1/2-02N	1/2	NPT1/4	11	34.5	20	19.9
GPCF1/2-03N	1/2	NPT3/8	12	35.5	20	19.9
GPCF1/2-04N	1/2	NPT1/2	14	37.5	24	19.9

GPSC



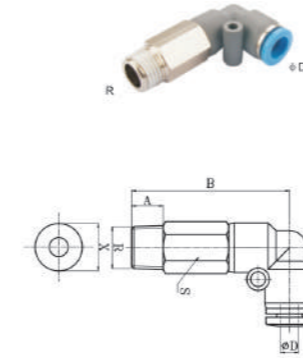
MODEL	D	R	A	B	S	X	L	
							min	max
GPSC5/32-01N	5/32	NPT1/8	7.5	23.4	7/16	9.9	41	45.5
GPSC5/32-02N	5/32	NPT1/4	10.5	25.3	9/16	9.9	44	51.3
GPSC1/4-01N	1/4	NPT1/8	7.5	23	1/2	11.9	41	45.5
GPSC1/4-02N	1/4	NPT1/4	10.5	24.8	9/16	11.9	44	51.3
GPSC1/4-03N	1/4	NPT3/8	12	27	11/16	11.9	46.7	53.3
GPSC1/4-04N	1/4	NPT1/2	14	29.5	7/8	11.9	51.8	58.8
GPSC5/16-01N	5/16	NPT1/8	7.5	25.7	9/16	13.9	41	45.5
GPSC5/16-02N	5/16	NPT1/4	10.5	28.8	9/16	13.9	44	51.3
GPSC5/16-03N	5/16	NPT3/8	12	29.7	11/16	13.9	46.7	53.5
GPSC5/16-04N	5/16	NPT1/2	14	32.1	7/8	13.9	51.8	58.8
GPSC3/8-02N	3/8	NPT1/4	10.5	31.7	11/16	16.9	44	51.3
GPSC3/8-03N	3/8	NPT3/8	12	32.6	11/16	16.9	46.7	53.5
GPSC3/8-04N	3/8	NPT1/2	14	35.2	7/8	16.9	51.8	58.8
GPSC1/2-02N	1/2	NPT1/4	10.5	33.7	7/8	19.9	44	51.3
GPSC1/2-03N	1/2	NPT3/8	12	34.5	7/8	19.9	46.7	53.3
GPSC1/2-04N	1/2	NPT1/2	14	36	7/8	19.9	51.8	58.8

GPRC



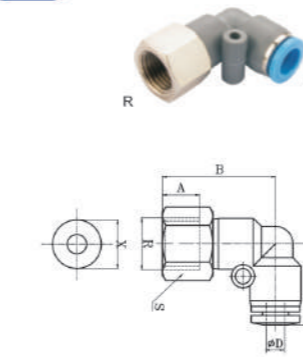
MODEL	D	R	A	B	S	X
GPRC5/32-01N	5/32	NPT1/8	7.5	50.5	14.3	9.9
GPRC5/32-02N	5/32	NPT1/4	9.5	52.5	14.3	9.9
GPRC1/4-01N	1/4	NPT1/8	7.5	50.5	14.3	11.9
GPRC1/4-02N	1/4	NPT1/4	9.5	52.5	14.3	11.9
GPRC1/4-03N	1/4	NPT3/8	10.5	53	17.5	11.9
GPRC1/4-04N	1/4	NPT1/2	13.5	56.5	22.2	11.9
GPRC5/16-01N	5/16	NPT1/8	7.5	50.5	14.3	13.9
GPRC5/16-02N	5/16	NPT1/4	9.5	52.5	14.3	13.9
GPRC5/16-03N	5/16	NPT3/8	10.5	53	17.5	13.9
GPRC5/16-04N	5/16	NPT1/2	13.5	56.5	22.2	13.9
GPRC3/8-01N	3/8	NPT1/8	7.5	60	17.5	16.9
GPRC3/8-02N	3/8	NPT1/4	9.5	62	17.5	16.9
GPRC3/8-03N	3/8	NPT3/8	10.5	63.5	22.2	16.9
GPRC3/8-04N	3/8	NPT1/2	13.5	66	22.2	16.9
GPRC1/2-01N	3/8	NPT1/8	7.5	61	22.2	19.9
GPRC1/2-02N	1/2	NPT1/4	9.5	63	22.2	19.9
GPRC1/2-03N	1/2	NPT3/8	10.5	64.5	22.2	19.9
GPRC1/2-04N	1/2	NPT1/2	13.5	67	22.2	19.9

GPLL



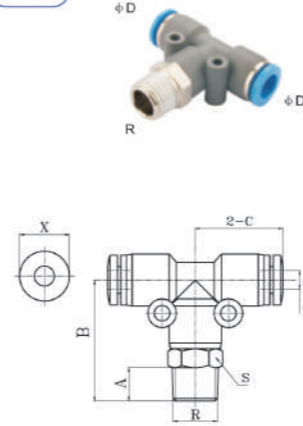
MODEL	D	R	A	B	C	S	X
GPLL5/32-01N	5/32	NPT1/8	7.5	36	18.2	7/16	9.9
GPLL5/32-02N	5/32	NPT1/4	9.5	38	18.2	9/16	9.9
GPLL1/4-01N	1/4	NPT1/8	7.5	39.6	19	1/2	11.9
GPLL1/4-02N	1/4	NPT1/4	9.5	41.5	19	9/16	11.9
GPLL1/4-03N	1/4	NPT3/8	10.5	43.6	19	11/16	11.9
GPLL1/4-04N	1/4	NPT1/2	13.5	46.5	19	7/8	11.9
GPLL5/16-01N	5/16	NPT1/8	7.5	43	23	9/16	13.9
GPLL5/16-02N	5/16	NPT1/4	9.5	45	23	9/16	13.9
GPLL5/16-03N	5/16	NPT3/8	10.5	47	23	11/16	13.9
GPLL5/16-04N	5/16	NPT1/2	13.5	50	23	7/8	13.9
GPLL3/8-01N	3/8	NPT1/8	7.5	48.7	27.4	11/16	16.9
GPLL3/8-02N	3/8	NPT1/4	9.5	50.7	27.4	11/16	16.9
GPLL3/8-03N	3/8	NPT3/8	10.5	51.7	27.4	11/16	16.9
GPLL3/8-04N	3/8	NPT1/2	13.5	54.7	27.4	7/8	16.9
GPCF1/2-02N	1/2	NPT1/4	9.5	58.3	29.3	7/8	19.9
GPCF1/2-03N	1/2	NPT3/8	10.5	59.3	29.3	7/8	19.9
GPCF1/2-04N	1/2	NPT1/2	13.5	62.3	29.3	7/8	19.9

GPLF



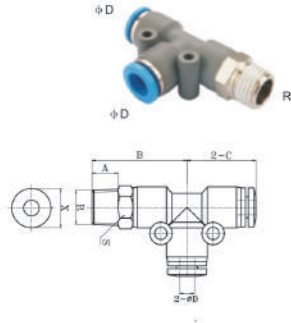
MODEL	D	R	A	B	C	S	X
GPLL5/32-01N	5/32	NPT1/8	8	23.4	18.2	7/16	9.9
GPLL5/32-02N	5/32	NPT1/4	11	26.5	18.2	9/16	9.9
GPLL1/4-01N	1/4	NPT1/8	8	24.5	19	1/2	11.9
GPLL1/4-02N	1/4	NPT1/4	11	27.6	19	9/16	11.9
GPLL1/4-03N	1/4	NPT3/8	12	28.6	19	11/16	11.9
GPLL1/4-04N	1/4	NPT1/2	14	30.6	19	7/8	11.9
GPLL5/16-01N	5/16	NPT1/8	8	28	23	9/16	13.9
GPLL5/16-02N	5/16	NPT1/4	11	31	23	9/16	13.9
GPLL5/16-03N	5/16	NPT3/8	12	32	23	11/16	13.9
GPLL5/16-04N	5/16	NPT1/2	14	34	23	7/8	13.9
GPLL3/8-01N	3/8	NPT1/8	8	32.2	27.4	11/16	16.9
GPLL3/8-02N	3/8	NPT1/4	11	35.2	27.4	11/16	16.9
GPLL3/8-03N	3/8	NPT3/8	12	36.2	27.4	11/16	16.9
GPLL3/8-04N	3/8	NPT1/2	14	38.2	27.4	7/8	16.9
GPCF1/2-02N	1/2	NPT1/4	11	36.8	29.3	7/8	19.9
GPCF1/2-03N	1/2	NPT3/8	12	37.8	29.3	7/8	19.9
GPCF1/2-04N	1/2	NPT1/2	14	41	29.3	7/8	19.9

GPB



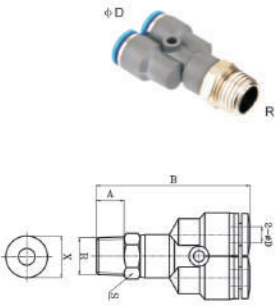
MODEL	D	R	A	B	C	S	X
GPB5/32-01N	5/32	NPT1/8	7.5	26.4	19.1	7/16	9.9
GPB5/32-02N	5/32	NPT1/4	9.5	28.5	19.1	9/16	9.9
GPB1/4-01N	1/4	NPT1/8	7.5	26.9	19.3	1/2	11.9
GPB1/4-02N	1/4	NPT1/4	9.5	28.9	19.3	9/16	11.9
GPB1/4-03N	1/4	NPT3/8	10.5	30.4	19.3	11/16	11.9
GPB1/4-04N	1/4	NPT1/2	13.5	33.5	19.3	7/8	11.9
GPB5/16-01N	5/16	NPT1/8	7.5	29.5	23	9/16	13.9
GPB5/16-02N	5/16	NPT1/4	9.5	31.7	23	9/16	13.9
GPB5/16-03N	5/16	NPT3/8	10.5	33.2	23	11/16	13.9
GPB5/16-04N	5/16	NPT1/2	13.5	36.2	23	7/8	13.9
GPB3/8-01N	3/8	NPT1/8	7.5	35.3	28.1	11/16	16.9
GPB3/8-02N	3/8	NPT1/4	9.5	37.3	28.1	11/16	16.9
GPB3/8-03N	3/8	NPT3/8	10.5	38.3	28.1	11/16	16.9
GPB3/8-04N	3/8	NPT1/2	13.5	41.5	28.1	7/8	16.9
GPB1/2-01N	1/2	NPT1/8	7.5	36.3	29.3	7/8	19.9
GPB1/2-02N	1/2	NPT1/4	9.5	38.5	29.3	7/8	19.9
GPB1/2-03N	1/2	NPT3/8	10.5	39.5	29.3	7/8	19.9
GPB1/2-04N	1/2	NPT1/2	13.5	42.5	29.3	7/8	19.9

GPD



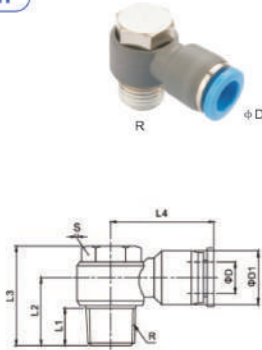
MODEL	D	R	A	B	C	S	X
GPD5/32-01N	5/32	NPT1/8	7.5	26.5	19.1	7/16	9.9
GPD5/32-02N	5/32	NPT1/4	9.5	28.5	19.1	9/16	9.9
GPD1/4-01N	1/4	NPT1/8	7.5	27	19.3	1/2	11.9
GPD1/4-02N	1/4	NPT1/4	9.5	28.9	19.3	9/16	11.9
GPD1/4-03N	1/4	NPT3/8	10.5	30.5	19.3	11/16	11.9
GPD1/4-04N	1/4	NPT1/2	13.5	33.4	19.3	7/8	11.9
GPD5/16-01N	5/16	NPT1/8	7.5	29.8	23	9/16	13.9
GPD5/16-02N	5/16	NPT1/4	9.5	31.8	23	9/16	13.9
GPD5/16-03N	5/16	NPT3/8	10.5	33.3	23	11/16	13.9
GPD5/16-04N	5/16	NPT1/2	13.5	36.3	23	7/8	13.9
GPD3/8-01N	3/8	NPT1/8	7.5	35.3	28.1	11/16	16.9
GPD3/8-02N	3/8	NPT1/4	9.5	37.3	28.1	11/16	16.9
GPD3/8-03N	3/8	NPT3/8	10.5	38.3	28.1	11/16	16.9
GPD3/8-04N	3/8	NPT1/2	13.5	41.3	28.1	7/8	16.9
GPD1/2-01N	1/2	NPT1/8	7.5	36.5	29.3	7/8	19.9
GPD1/2-02N	1/2	NPT1/4	9.5	38.5	29.3	7/8	19.9
GPD1/2-03N	1/2	NPT3/8	10.5	39.4	29.3	7/8	19.9
GPD1/2-04N	1/2	NPT1/2	13.5	42.5	29.3	7/8	19.9

GPX



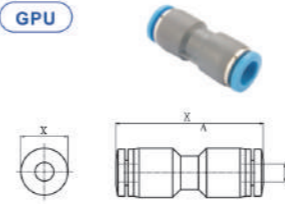
MODEL	D	R	A	B	S	X
GPX5/32-01N	5/32	NPT1/8	7.5	44.2	7/16	9.9
GPX5/32-02N	5/32	NPT1/4	9.5	46.2	9/16	9.9
GPX1/4-01N	1/4	NPT1/8	7.5	45	1/2	11.9
GPX1/4-02N	1/4	NPT1/4	9.5	46.9	9/16	11.9
GPX1/4-03N	1/4	NPT3/8	10.5	48.5	11/16	11.9
GPX1/4-04N	1/4	NPT1/2	13.5	51.5	7/8	11.9
GPX5/16-01N	5/16	NPT1/8	7.5	47.8	9/16	13.9
GPX5/16-02N	5/16	NPT1/4	9.5	49.8	9/16	13.9
GPX5/16-03N	5/16	NPT3/8	10.5	51.3	11/16	13.9
GPX5/16-04N	5/16	NPT1/2	13.5	54.3	7/8	13.9
GPX3/8-01N	3/8	NPT1/8	7.5	56.3	11/16	16.9
GPX3/8-02N	3/8	NPT1/4	9.5	58.3	11/16	16.9
GPX3/8-03N	3/8	NPT3/8	10.5	59.5	11/16	16.9
GPX3/8-04N	3/8	NPT1/2	13.5	62.5	7/8	16.9
GPX1/2-01N	1/2	NPT1/8	7.5	59.5	7/8	19.9
GPX1/2-02N	1/2	NPT1/4	9.5	61.6	7/8	19.9
GPX1/2-03N	1/2	NPT3/8	10.5	62.6	7/8	19.9
GPX1/2-04N	1/2	NPT1/2	13.5	65.6	7/8	19.9

GPH



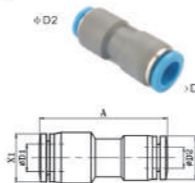
MODEL	ΦD	R	L1	L2	L3	L4	ΦD1	S
GPH5/32-01N	5/32	NPT1/8	7.5	15	24.3	23.5	11.5	9.9
GPH5/32-02N	5/32	NPT1/4	9.5	15	24.3	23.5	11.5	9.9
GPH1/4-01N	1/4	NPT1/8	7.5	16.8	26.5	25	11.5	9.9
GPH1/4-02N	1/4	NPT1/4	9.5	15	24.3	24.8	13.5	11.9
GPH1/4-03N	1/4	NPT3/8	10.5	16.2	26.5	24.9	13.5	11.9
GPH1/4-04N	1/4	NPT1/2	13.5	19	32.5	27	13.5	11.9
GPH5/16-01N	5/16	NPT1/8	7.5	15.7	24.3	25.7	15	13.9
GPH5/16-02N	5/16	NPT1/4	9.5	17.5	26.5	28.9	15	13.9
GPH5/16-03N	5/16	NPT3/8	10.5	19	32.5	29.8	15	13.9
GPH5/16-04N	5/16	NPT1/2	13.5	24	38.2	32.5	15	13.9
GPH3/8-01N	3/8	NPT1/8	7.5	17.7	24.3	29.7	19	16.9
GPH3/8-02N	3/8	NPT1/4	9.5	19.5	26.5	31.9	19	16.9
GPH3/8-03N	3/8	NPT3/8	10.5	21	32.5	32.6	19	16.9
GPH3/8-04N	3/8	NPT1/2	13.5	24.2	38.2	35.4	19	16.9
GPH1/2-02N	1/2	NPT1/4	9.5	20.8	26.5	32.9	21.5	19.9
GPH1/2-03N	1/2	NPT3/8	10.5	22.2	32.5	34.5	21.5	19.9
GPH1/2-04N	1/2	NPT1/2	13.5	25.5	38.2	36	21.5	19.9

GPU



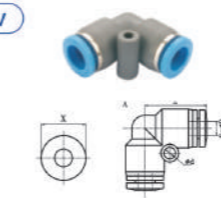
MODEL	D	A	X
GPU5/32	5/32	34.5	9.9
GPU1/4	1/4	35.1	11.9
GPU5/16	5/16	39.7	13.9
GPU3/8	3/8	47.5	16.9
GPU1/2	1/2	48.5	19.9

GPG



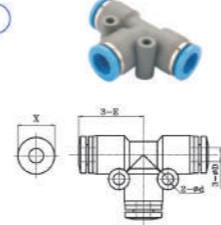
MODEL	D1	D2	A	X1	X2
GPG1/4-5/32	1/4	5/32	35.4	11.9	9.9
GPG5/16-5/32	5/16	5/32	39.7	13.9	9.9
GPU5/16-1/4	5/16	1/4	39.7	13.9	11.9
GPU3/8-1/4	3/8	1/4	47.5	16.9	11.9
GPU3/8-5/16	3/8	5/16	47.5	16.9	13.9
GPU1/2-3/8	1/2	3/8	48.5	19.9	16.9

GPV



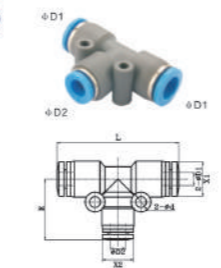
MODEL	D	A	d	X
GPV5/32	5/32	18.2	3.2	9.9
GPV1/4	1/4	19	3.2	11.9
GPV5/16	5/16	23	3.2	13.9
GPV3/8	3/8	27.4	4.2	16.9
GPV1/2	1/2	29.3	4.2	19.9

GPE



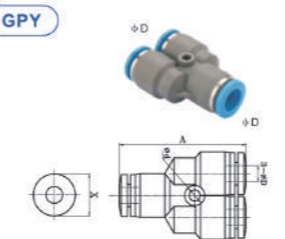
MODEL	D	E	d	X
GPE5/32	5/32	19.1	3.2	9.9
GPE1/4	1/4	19.3	3.2	11.9
GPE5/16	5/16	23	3.2	13.9
GPE3/8	3/8	28.1	4.2	16.9
GPE1/2	1/2	29.3	4.2	19.9

GPEG



MODEL	D1	D2	E	L	d	X1	X2
GPEG1/4-5/32	1/4	5/32	19	38.6	3.2	11.9	9.9
GPEG5/16-5/32	5/16	5/32	22.5	46	3.2	13.9	9.9
GPEG5/16-1/4	5/16	1/4	22.7	46	3.2	13.9	11.9
GPEG3/8-1/4	3/8	1/4	28.1	56.2	4.2	16.9	11.9
GPEG3/8-5/16	3/8	5/16	28.5	56.2	4.2	16.9	13.9
GPEG1/2-3/8	1/2	3/8	28.9	58.6	4.2	19.9	16.9

GPY



MODEL	D	A	d	X
GPY5/32	5/32	36.5	3.2	9.9
GPY1/4	1/4	37.1	3.2	11.9
GPY5/16	5/16	40.9	3.2	13.9
GPY3/8	3/8	49	4.2	16.9
GPY1/2	1/2	52.5	4.2	19.9

Features

- Compact structure, easy installation and use.
- Press-in automatic locking structure prevents adjustment influence from fluctuation by external interference
- Small pressure loss, high water separation efficiency
- With aluminum cup protection shell, effectively prevent external pressure impact
- Comes with round pressure gauge, can be clearly identified

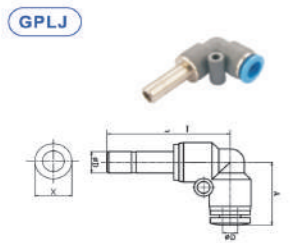


Specifications

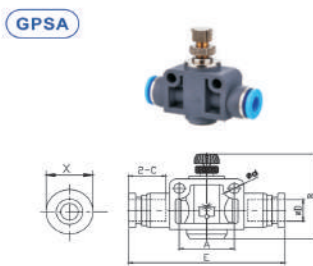
Model	A■200-01	A■200-02 A■300-02	A■300-03 A■400-03	A■400-04	A■400-06 A■500-06	A■500-10
Port size	1/8"	1/4"	3/8"	1/2"	3/4"	1"
Filtration accuracy	40 μm filtration accuracy as default (Copper Sintered); 1 μm, 5 μm, 10 μm is optional (composition fiber)					
Working Fluid	Compressed Clean Air					
Body Material	Aluminum					
Recommended Oil	Turbine No.1 Oil ISOVG32					
Working Pressure	0 - 1.0 Mpa (0 - 145Psi)					
Max. Proof Pressure	1.5 Mpa (218 Psi)					
Working Temperature	5~60°C					
Bowl material	Polycarbonate					
Filter element material	Copper Sintered ; Composition					
Drain Type	Semi-auto Drain ; Manual ; Auto Drain					
Accessories (option)	Mounting bracket, Screws*2					



MODEL	D1	D2	A	d	X1	X2
GPW1/4-5/32	1/4	5/32	37	3.2	11.9	9.9
GPW5/16-5/32	5/16	5/32	40.5	3.2	13.9	9.9
GPW5/16-1/4	5/16	1/4	40.5	3.2	13.9	11.9
GPW3/8-1/4	3/8	1/4	49	4.2	16.9	11.9
GPW3/8-5/16	3/8	5/16	49	4.2	16.9	13.9
GPW1/2-3/8	1/2	3/8	52.2	4.2	19.9	16.9

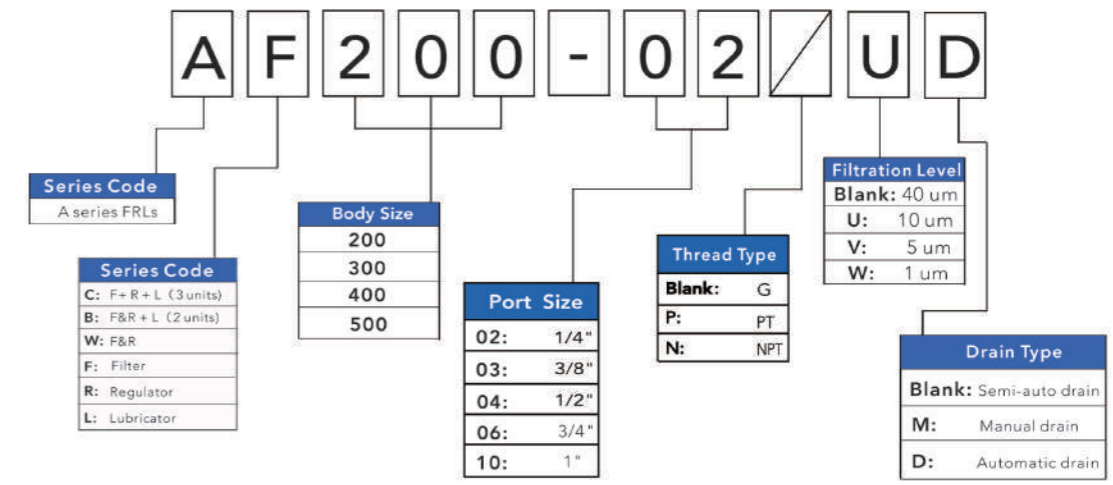


MODEL	D	A	L	X
GPLJ5/32	5/32	18.2	34	9.9
GPLJ1/4	1/4	19	35.2	11.9
GPLJ5/16	5/16	23	41	13.9
GPLJ3/8	3/8	27.5	46.7	16.9
GPLJ1/2	1/2	29.3	50.5	19.9



MODEL	ΦD	φd	A	B		E	C	X
				min	max			
GPSA5/32	5/32	3.2	13.7	25.7	28.7	39.5	14.4	9.9
GPSA1/4	1/4	4.3	19.5	38.3	45.3	47.1	15.5	11.9
GPSA5/16	5/16	4.3	21.5	41.4	48.5	52	16.8	13.9
GPSA3/8	3/8	4.3	25.5	46.3	53.5	62.3	19.5	16.9
GPSA1/2	1/2	4.3	31.7	49.3	55.5	73.6	22.3	19.9

Ordering Code

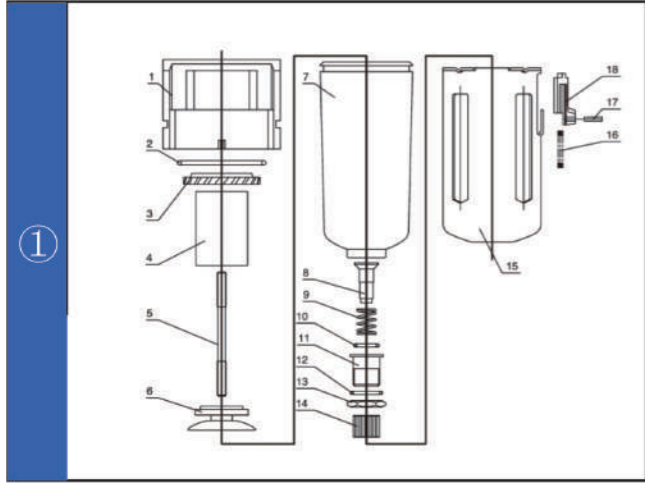


Ordering Example:

A series Air Treatment Unit, F+R+L (3 units), 300 series body size, 3/8" NPT thread, 10 μm filtration level, Auto drain
 SENYA part# AC300-03NUD

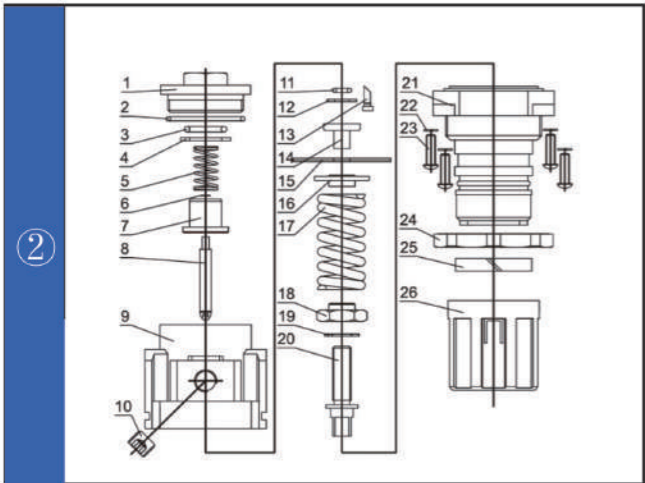
Product Structure:

① AF SERIES FILTER



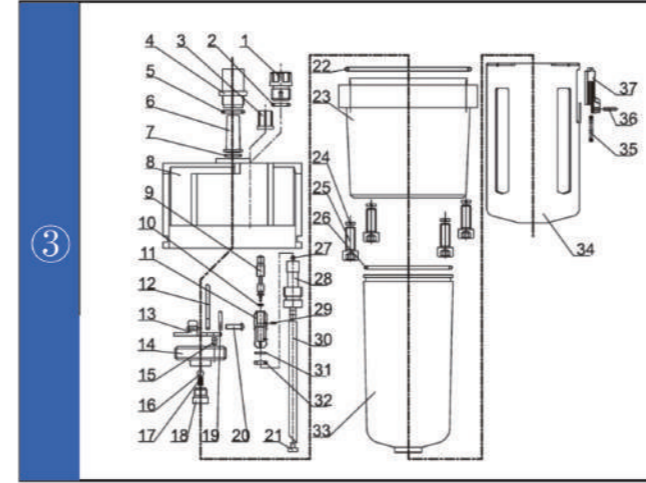
1	Main Body	4	Filter element	7	Water cup	10	O-ring	13	Hex Nut	16	Spring
2	O-ring	5	Bolt	8	Valve core	11	Drain valve	14	Nut	17	Pin
3	Blade	6	Drain board	9	Spring	12	O-ring	15	Metal bowl	18	Lock

② AR SERIES REGULATOR



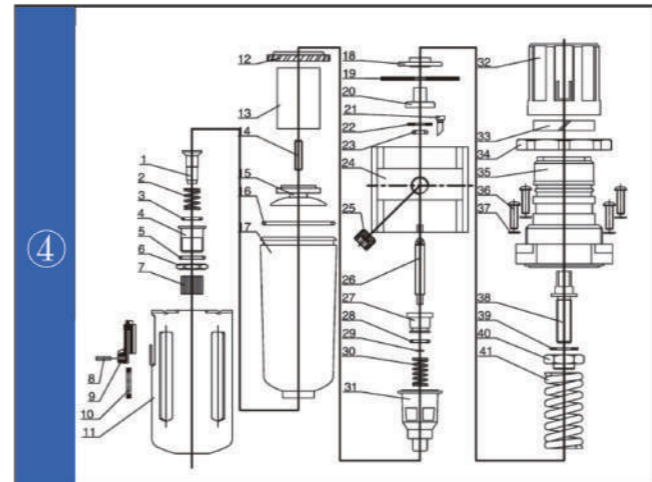
1	Regulator seat	4	Washer	7	Valve core	10	Plug	13	Pipe	16	Spring seat	19	Washer	22	Spring washer	25	Symbol ring
2	O-ring	5	Spring	8	Spool	11	O-ring	14	Diaphragm seat	17	Spring	20	Regulate bolt	23	Spring washer	26	Regulate handle
3	O-ring	6	Retainer ring	9	Valve body	12	Retamer ring	15	Diaphragm	18	Regulate nut	21	Valve cover	24	Nut		

③ AL SERIES LUBRICATOR



1	Plug	4	Oil window	7	O-ring	10	O-ring	13	Reed seat	16	Steel ball	19	Reed seat board	22	O-ring	25	Symbol ring
2	O-ring	5	O-ring	8	Lubricator body	11	Oil regulate valve seat	14	Bracket	17	Spring	20	Screw	23	Middle part	26	Regulate handle
3	Oil regulate screw	6	Oil drop tube	9	Regulate needle	12	Reed	15	Small hole seat	18	One way valve plate	21	Filter element	24	Spring washer	25	Hex screw
26	O-ring	27	Steel ball	28	Water cup	29	O-ring	30	Hex Nut	31	Spring	32	O-ring	33	Oil cup	34	Bowl guard
35	Spring	36	Pin	37	Lock												

④ AW SERIES FILTER®ULATOR



1	Valve core	4	Drain valve	7	Nut	10	Spring	13	Filter element	16	Bolt	19	Diaphragm	22	Retainer ring	25	Plug
2	Spring	5	O-ring	8	PIN	11	Bowl guard	14	Bolt	17	Water cup	20	Diaphragm seat	23	O-ring	26	Spool
3	O-ring	6	Hex Nut	9	Lock	12	Whirlwind blade	15	Drain board	18	Diaphragm	21	Pipe	24	Regulator body	27	Valve core
26	Spool	27	Valve core	28	O-ring	29	Retainer ring	30	Spring	31	Overflow valve seat	32	Regulate handle	33	Symbol ring	34	Nut
35	Valve cover	36	Cross screw	37	Spring washer	38	Regulate bolt	39	Washer	40	Regulate nut	41	Spring				

Product Dimensions (200- 500 body series):

AC

AC200 SERIES

AC300-500 SERIES

Model	A	B	B1	C	D	E	F	G	H	J	K	L	M	N	P
Ac200	140	124	161	38	40	53	30	50	24	6	9	5	22	23	50
Ac300	181	158	170	39	53	57	41	64	35	8	11	7	34	26	71
Ac400	238	190	194	40	70	62	50	84	40	9	13	7	42	33	88
Ac400-06	253	192	195	39	70	66	50	89	40	9	13	7	46	36	88
Ac500	300	272	275	46	90	72	70	105	50	12	16	11	55	40	115

AB

AB200-500 SERIES

Model	A	B	B1	C	D	E	F	G	H	J	K	L	M	N	P
Ab200	90	162	200	76	40	53	30	45	24	6	9	5	22	23	50
Ab300	116	211	225	92	53	51	40	59	35	8	11	7	34	26	71
Ab400	154	264	267	114	70	67	50	77	40	9	13	7	42	33	88
Ab400-06	164	268	271	115	70	67	50	82	40	9	13	7	46	36	88
Ab500	195	343	348	117	90	72	69	98	50	12	16	11	55	40	115

AW

AW200-500 SERIES

Model	A	B	B1	C	D	E	F	G	H	J	K	L	M	N	P
Aw400	40	162	200	76	40	53	30	34	43	6	15	55	2	33	40
Aw300	53	211	225	92	53	51	40	45	8	8	8	53	2	42	56
Aw400	70	264	267	114	70	67	48	54	9	11	70	2	52	73	73
Aw400-06	75	268	271	115	70	67	48	54	9	11	70	2	52	73	73
Aw500	90	343	348	117	90	72	48	54	12	11	70	2	52	90	90

Product Dimensions (200- 500 body series):

AF

AF200-400 SERIES

AF500SERIES

Model	A	B	B1	C	D	E	F	G	H	J	K	L	M	P
Af200	40	97	135	11	40	25	31	19	14	17	7	40	2	23
Af300	53	133	145	14	53	15	42	40	22	7	8	53	2	26
Af400	70	168	172	18	70	18	53	54	27	9	11	70	2	33
Af400-06	75	173	176	20	70	14	50	54	25	9	11	70	2	36
Af500	90	246	250	24	90	23	67	66	35	11	13	90	2	40

AL

AL200-400 SERIES

AL500SERIES

Model	A	B	C	D	F	G	H	J	K	L	M	P
Al200	40	115	38	40	31	19	14	17	7	40	2	40
Ab300	53	141	39	53	41	40	23	7	8	53	2	56
Ab400	70	175	40	70	53	54	26	9	11	70	2	73
Ab400-06	75	177	39	70	50	54	26	9	11	70	2	73
Ab500	90	254	46	90	67	66	35	11	13	90	3	90

AW

AW200-500 SERIES

Model	A	B	C	D	E	F	G	H	J	K	L	M	N
Ar200	40	93	17	40	52	31	28	44	43	15	55	2	33
Ar300	53	128	34	53	57	39	34	46	45	8	53	2	42
Ar400	70	150	41	70	62	48	54	55	54	11	70	2	52
Ar400-06	75	154	41	70	66	48	54	55	54	11	70	2	52
Ar500	90	168	49	90	72	48	54	62	62	11	70	2	52

Features

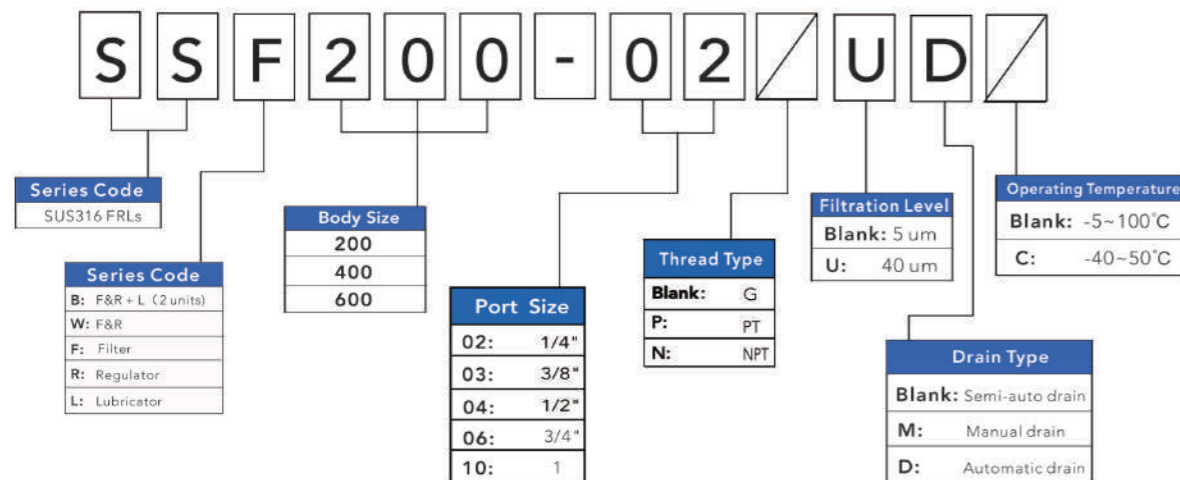
- SUS316 material design, and for high pressure use; corrosion and chemical resistance.
- Good performance in chemically working environments and outdoor facility.
- Suitable for semi-conductor industry.
- Effectively removes water and particle.
- Light weight; compact size for space saving



Specifications

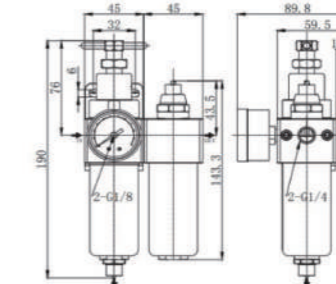
Model	SS 200-02	SS 400-03	SS 400-04	SS 600-06	SS 600-10
Port size	1/4"	3/8"	1/2"	3/4"	1"
Filtration accuracy	5 μm filtration accuracy as default, 40 μm is optional				
Working Fluid	Compressed Clean Air				
Body Material	SUS316				
Lubrication	Not required				
Working Pressure	0 - 2.0 Mpa (0 - 290 Psi)				
Max. Proof Pressure	3.0 Mpa (435 Psi)				
Working Temperature	-5 - 100°C (No Freezing)				
Bowl material	SUS316				
Filter element material	SUS316				
Standard Drain	Semi-auto Drain				
Accessories (option)	Mounting bracket, Screws*2				

Ordering Code

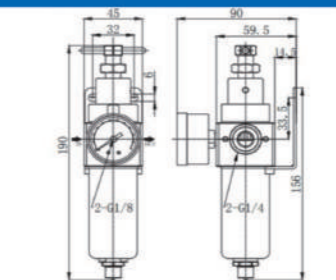


Ordering Example:
SUS316 Air Treatment Unit ,F&R + L (2 units), 200 series body size, 1/4" G thread, 40 um filtration level, Auto drain
SENYA part# SSB200-02UD

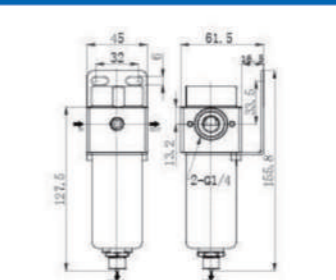
Product Dimensions (200- 600 body series):



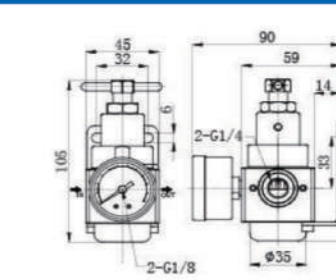
Specifications	
Semi-drain Pressure	Drains below 0.05 Mpa
With accessories	Gauge (0-1.0 Mpa scale), Bracket, Screw*2
Optional accessories	Gauge (0-2.0 Mpa scale)



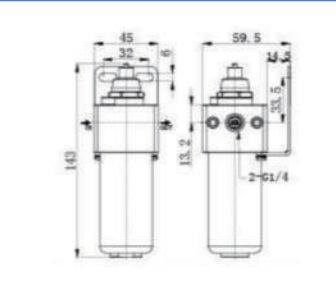
Specifications	
Semi-drain Pressure	Drains below 0.05 Mpa
With accessories	Gauge (0-1.0 Mpa scale), Bracket, Screw*2
Optional accessories	Gauge (0-2.0 Mpa scale)



Specifications	
Semi-drain Pressure	Drains below 0.05 Mpa
With accessories	Bracket, Screw*2



Specifications	
With accessories	Gauge (0-1.0 Mpa scale), Bracket, Screw*2
Optional accessories	Gauge (0-2.0 Mpa scale)



Specifications	
With accessories	Bracket, Screw*2

Features

- ISO15552 standard cylinder wide use in automatic industry. The standard size can fit in many install space
- Special design in air cushion to reduce buffering and increasing product life.
- TPU cushion has excellent material characteristics, and it can withstand high frequency action.
- Internal wall adopts special processing technology with the only 3-5 μm thickness of an anti-wear coating, providing little attrition friction, low start pressure and long service life.



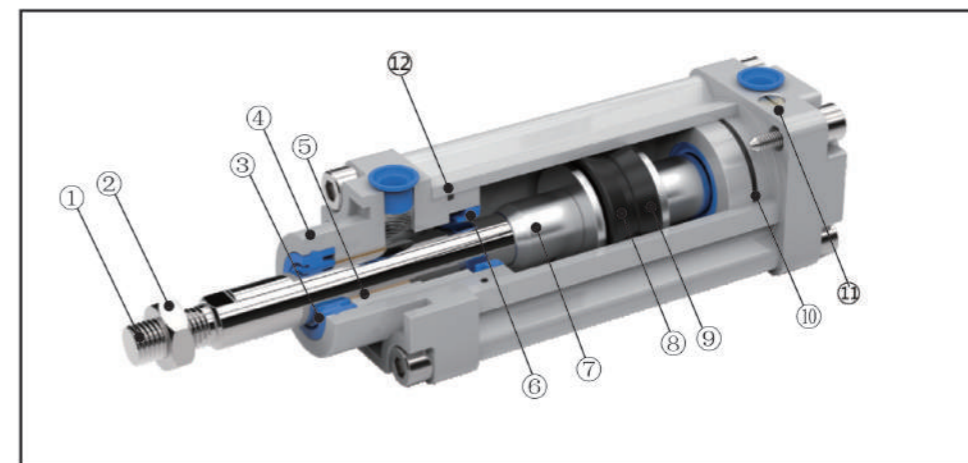
Product Information

Bore	32	40	50	63	80	100	125
Operation	Double Acting						
Working Medium	Air (to be filtered by 40 μm filter element)						
Mountings	Basic FA FB CA CB LB						
Operating Pressure	0.1 ~ 0.9 Mpa						
Proof Pressure	1.35 Mpa						
Operating Temperature	- 20 ~ 70 °C						
Operating Speed	50 ~ 800 mm/s						
Cushion	Adjustable Cushion						
Port Size	1/8"	1/4"	3/8"	1/2"			

Specifications

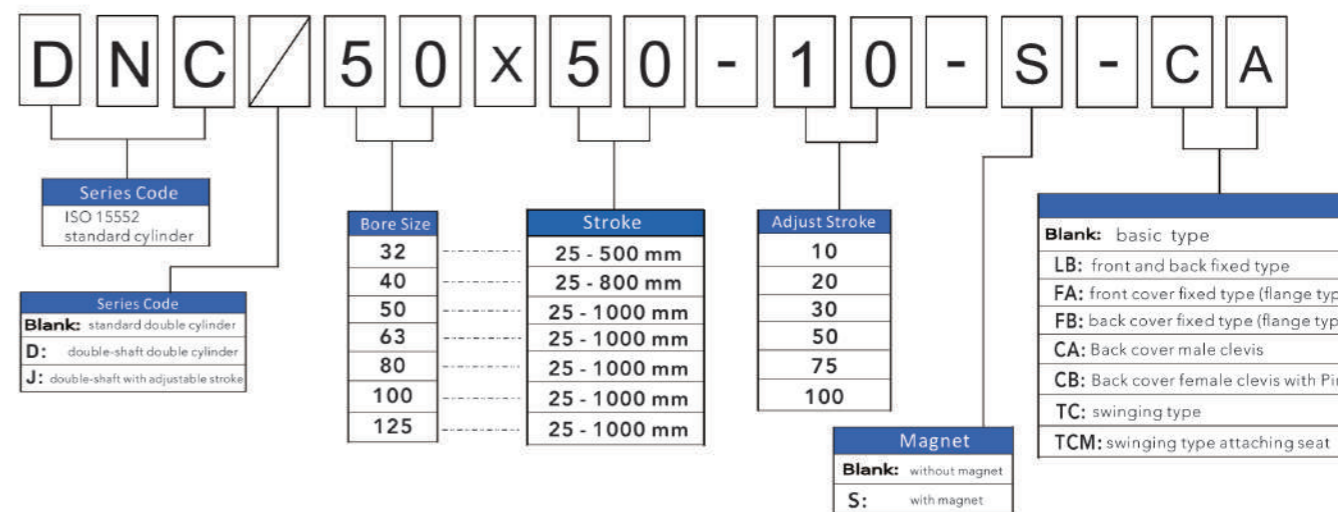
Bore	Standard Stroke																Max. Stroke	Allowable Stroke					
32	25	50	75	80	100	125	150	160	175	200	250	300	350	400	450	500	1000	2000					
40	25	50	75	80	100	125	150	160	175	200	250	300	350	400	450	500	600	700	800	1200	2000		
50	25	50	75	80	100	125	150	160	175	200	250	300	350	400	450	500	600	700	800	900	1000	1200	2000
63	25	50	75	80	100	125	150	160	175	200	250	300	350	400	450	500	600	700	800	900	1000	1500	2000
80	25	50	75	80	100	125	150	160	175	200	250	300	350	400	450	500	600	700	800	900	1000	1500	2000
100	25	50	75	80	100	125	150	160	175	200	250	300	350	400	450	500	600	700	800	900	1000	1500	2000
125	25	50	75	80	100	125	150	160	175	200	250	300	350	400	450	500	600	700	800	900	1000	1500	2000

Internal Structure:



No.	Comopnent Description	No.	Comopnent Description
1	Piston Rod	8	Y type seal
2	Hexagon nut	9	Magnet
3	Shaft seal	10	O-ring seal
4	Front cover	11	Cushion adjusting screw
5	Dust scraping ring	12	Square barrel
6	Anti-crash pad		
7	Piston ring		

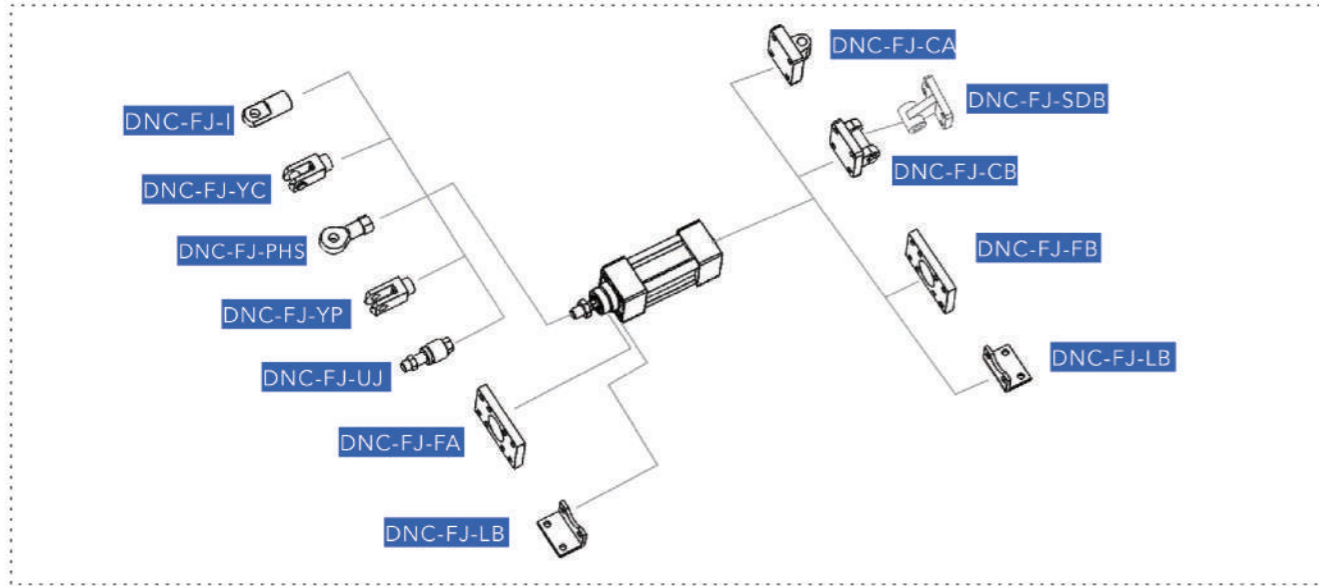
Ordering Code



Ordering Example:

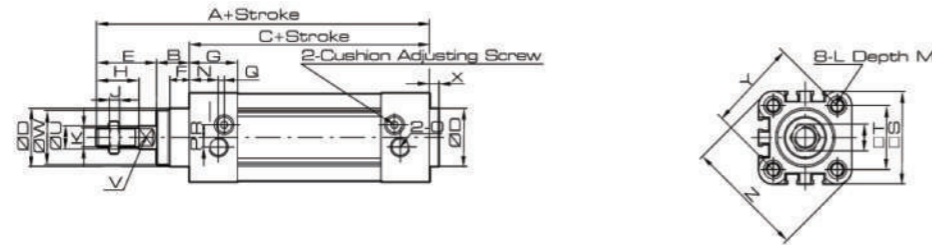
ISO15552 standard cylinder , 50 bore size, 50 stroke size, with magnet, and front and back fixed type
 SENYA part# DNC50X50-S-LB

Product Accessories:

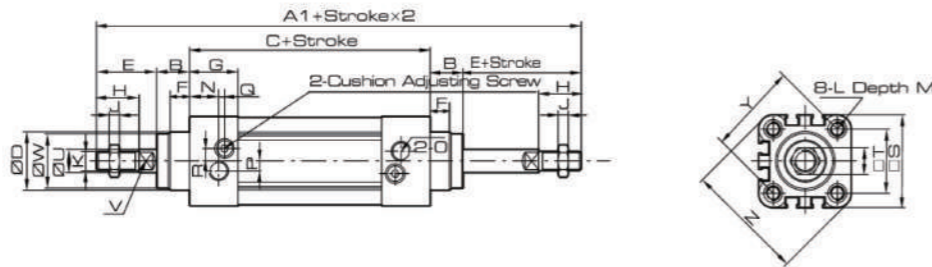


Product Dimensions :

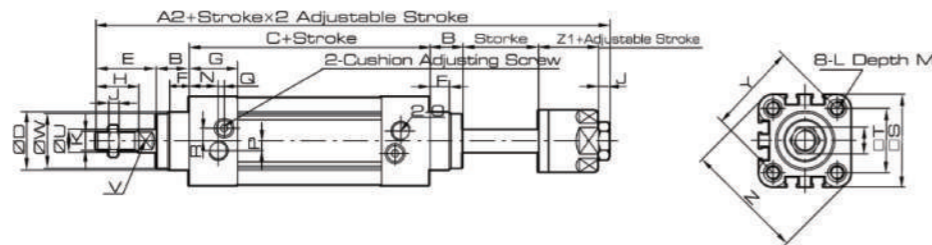
DNC:



DNCD:



DNCJ:



Dimensions Chart :

Bore	A	A1	A2	B	C	D	E	F	G	H	I	J	K	L
32	142	190	185	16	94	30	33	10	25	22	17	6	M10x1.25	M6
40	159	213	207	20	105	35	34	10	29.5	24	17	7	M12x1.25	M6
50	175	244	233	27	106	40	42.5	10	32	32	23	8	M16x1.5	M8
63	190	258	247	26	122	45	42	10	36	32	23	8	M16x1.5	M8
80	214	301	288	35	126	45	53	10	37	40	26	10	M20x1.5	M10
100	229	321	308	40	137	55	52	10	39	40	26	10	M20x1.5	M10
125	277	394	378	46	160	60	71	10	43.5	54	40	10	M27x2	M12

Bore	M	N	O	P	Q	R	S	T	U	V	W	X	Y	Z	Z1
32	12	15	G1/8	5	3	6.5	45	32.5	12	10	28	4	46	59	21
40	12	17.5	G1/4	7	3	7	52	38	16	13	33	4	53.7	68.0	21
50	12	20	G1/4	7	3	9	65	46.5	20	17	38	4	65.8	84.5	23
63	12	22	G3/8	8	5	9	76	56.5	20	17	38	4	79.9	99.6	23
80	15	23	G3/8	10	5	12	94	72	25	22	43.5	5	101.8	123.8	29
100	15	26	G1/2	10	5	14	112	89	25	22	47	6	125.9	148.9	29
125	20	29	G1/2	10	5	14	134	110	32	27	53	7	156.9	179.6	41

Features

- Lubrication-free: with self-lubricating bearing the lubrication of plunger rod is not needed.
- Special design in air cushion to reduce buffering and increasing product life.
- TPU cushion has excellent material characteristics, and it can withstand high frequency action.
- With magnetic element: a permanent magnet is mounted on the cylinder plunger and it is used to actuated the magnetic switch mounted on the cylinder to detect the acting position of the cylinder .



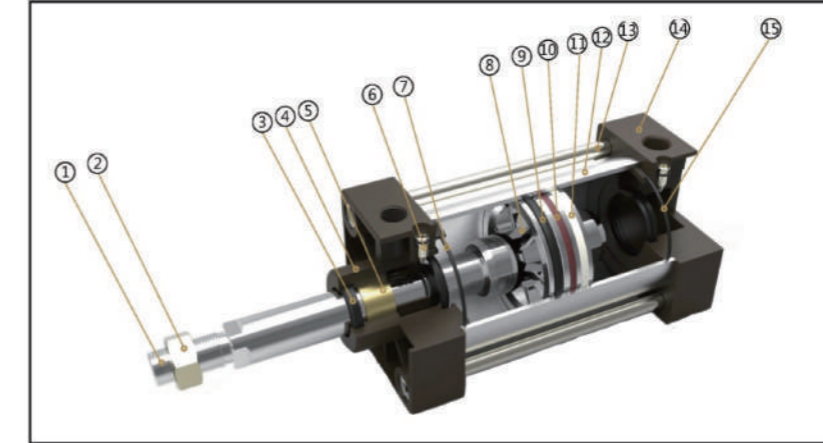
Product Information

Bore	32	40	50	63	80	100	125
Operation	Double Acting						
Working Medium	Air (to be filtered by 40 μm filter element)						
Mountings	Basic FA FB CA CB LB						
Operating Pressure	0.1 ~ 0.9 Mpa						
Proof Pressure	1.35 Mpa						
Operating Temperature	- 5 ~ 70 °C						
Operating Speed	50 ~ 800 mm/s						
Cushion	Adjustable Cushion						
Port Size	1/8"	1/4"	3/8"	1/2"			

Specifications

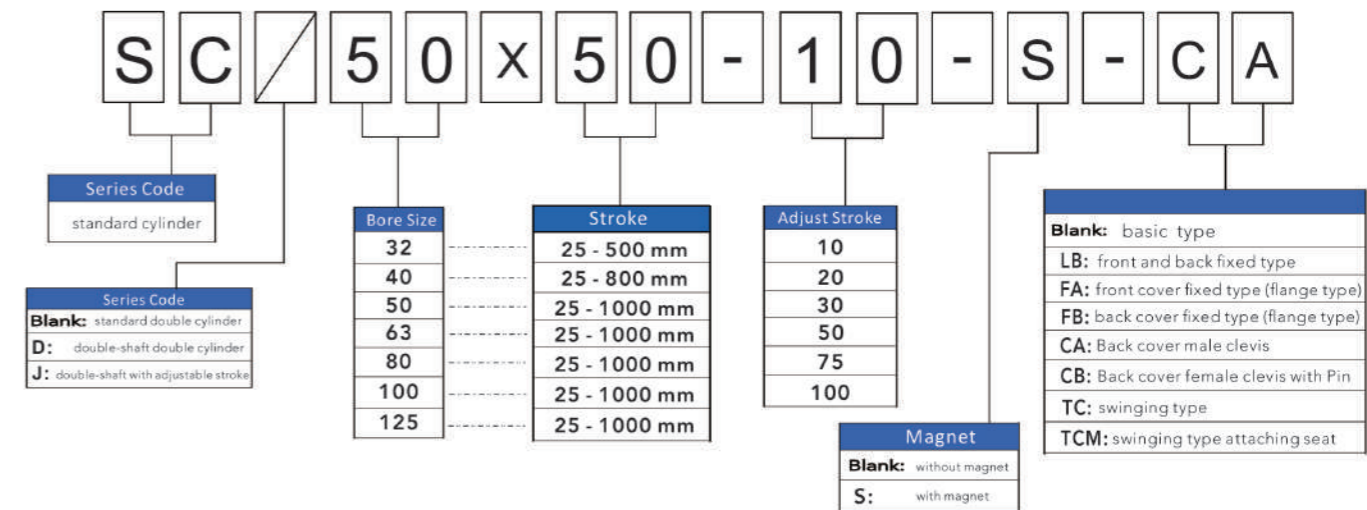
Bore	Standard Stroke																Max. Stroke	Allowable Stroke					
	25	50	75	80	100	125	150	160	175	200	250	300	350	400	450	500							
32	25	50	75	80	100	125	150	160	175	200	250	300	350	400	450	500	1000	2000					
40	25	50	75	80	100	125	150	160	175	200	250	300	350	400	450	500	600	700	800	1200	2000		
50	25	50	75	80	100	125	150	160	175	200	250	300	350	400	450	500	600	700	800	900	1000	1200	2000
63	25	50	75	80	100	125	150	160	175	200	250	300	350	400	450	500	600	700	800	900	1000	1500	2000
80	25	50	75	80	100	125	150	160	175	200	250	300	350	400	450	500	600	700	800	900	1000	1500	2000
100	25	50	75	80	100	125	150	160	175	200	250	300	350	400	450	500	600	700	800	900	1000	1500	2000
125	25	50	75	80	100	125	150	160	175	200	250	300	350	400	450	500	600	700	800	900	1000	1500	2000

Internal Structure:



No.	Comopnent Description	No.	Comopnent Description
1	Piston Rod	9	Piston seal
2	Hexagon nut	10	Magnet
3	Shaft seal	11	Anti-friction ring
4	Front cover	12	Barrel
5	Dust scraping ring	13	Pull rod
6	Cushion adjust screw	14	Back cover
7	Cushion seal	15	O-ring
8	Piston		

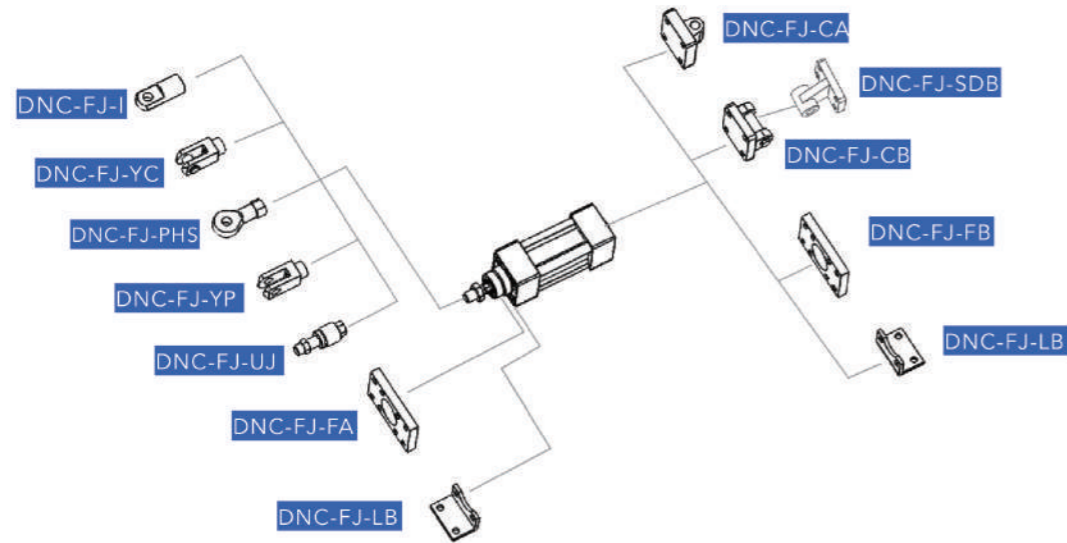
Ordering Code



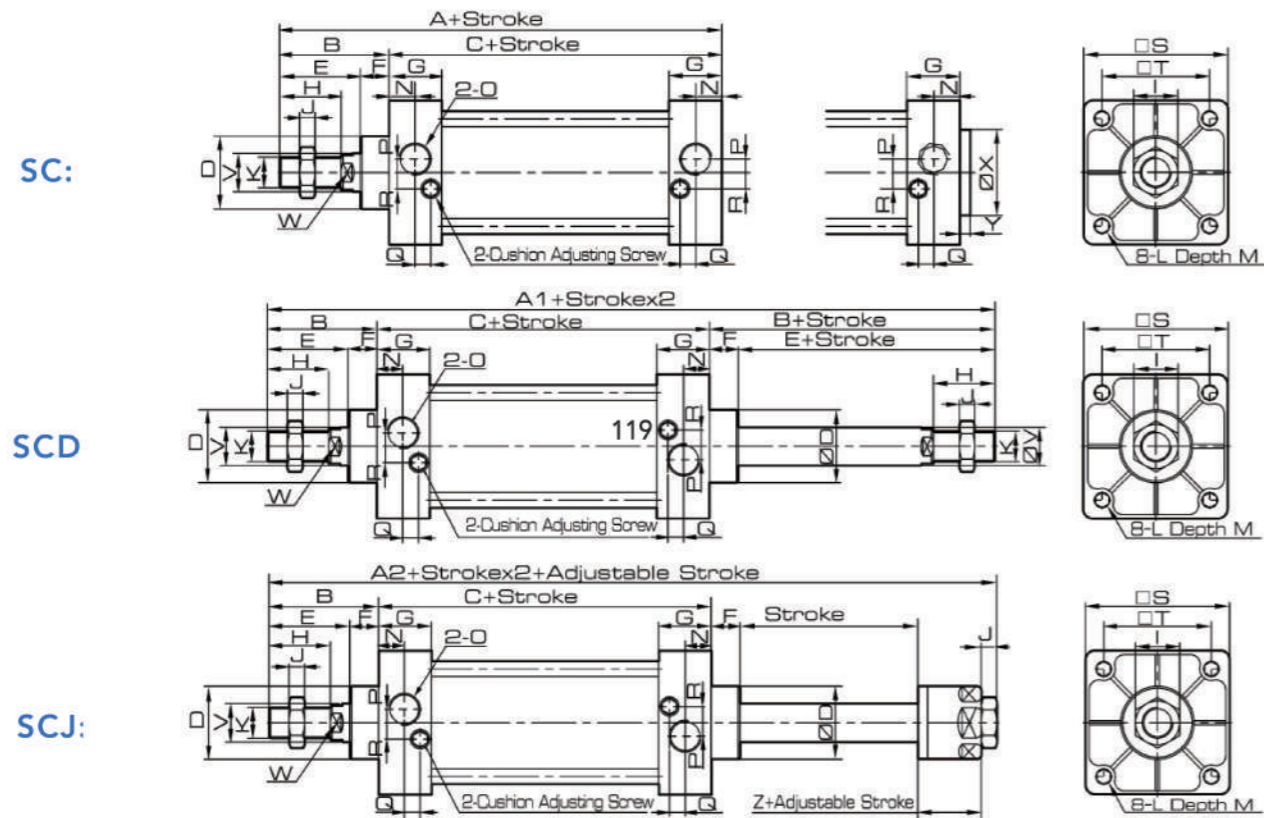
Ordering Example:

standard cylinder , 50 bore size, 50 stroke size, with magnet, and front and back fixed type
SENYA part# SC50X50-S-LB

Product Accessories:



Product Dimensions :



Dimensions Chart :

Bore	A	A1	A2	B	C	D	E	F	G	H	I	J	K	L
32	140	187	182	47	93	28	32	15	27.5	22	17	6	M10x1.25	M6
40	141	191	185	48	93	32	34	15	27.5	24	17	7	M12x1.25	M6
50	150	207	196	57	93	38	42	15	27.5	32	23	8	M16x1.5	M6
63	153	210	199	57	96	38	42	15	27.5	32	23	8	M16x1.5	M8
80	183	258	243	75	108	47	54	21	33	40	26	10	M20x1.5	M10
100	189	264	249	75	114	47	54	21	33	40	26	10	M20x1.5	M10
125	226	330	313	104	122	55	70	34	33	54	40	10	M27x2	M12

Bore	M	N	O	P	Q	R	S	T	V	W	Z
32	9.5	13.5	G1/8	3.5	7.5	7	45	33	12	10	21
40	9.5	1.5	G1/4	6	8.2	9	50	37	16	14	21
50	9.5	13.5	G1/4	8.5	8.2	9	62	47	20	17	23
63	9.5	13.5	G3/8	7	8.2	8.5	75	56	20	17	23
80	11.5	16.5	G3/8	10	9.5	14	94	70	25	22	29
100	11.5	16.5	G1/2	11	9.5	14	112	84	25	22	29
125	15.5	16.5	G1/2	10	10	11	140	110	32	27	/

Diaphragm

Product			
Part#	D2W15/25-SI	D2W15/25-VITON	D2W15/25-NBR
Name	2W-15,20\25 Silca Gel Diaphragm (high temperature)	2W-15 Fluorous Rubber Diaphragm (oil proof, resistance to corrosion)	2W-25 Fluorous Rubber Diaphragm (oil proof, resistance to corrosion)

Product		
Part#	D2W40/50- NBR -VTION	DPU220-04/14/20- NBR -VTION
Name	2W-35,40 Rubber Diaphragm (all puiPOSE) 2W-50 Butadiene-acrylonitrile Rubber Diaphragm (standard) 2W-50 Fluorous Rubber Diaphragm (oil proof, resistance to corrosion)	PU220 Diaphragm

Product			
Name	PU225 Diaphragm	SY22310 Diaphragm	0927 series Diaphragm

Product				
Name	2W-8	2W-15	US	KSD
Aperture of Coil x H	Φ14X31	Φ16X37	Φ23X55	Φ13.5X26
Power	AC: 10VA DC: 9W	AC: 18VA DC: 16W	AC: 18VA DC: 24W	AC: 15VA DC: 12W

Product			
Name	Light Guide Coil	AV21-01 Coil	AV21-02 Coil
Aperture of Coil x H	Φ13.5X38	Φ11.5X25	Φ13.5X30.5
Power	AC: 13VA DC: 9W	AC: 8VA DC: 6W	AC: 9VA DC: 5W

Product			
Name	1661 Explosion-proof Coil	1381 Explosion-proof Coil	0981 Explosion-proof Coil
Aperture of Coil x H	Φ16X37	Φ13X43	Φ16X31
Power	AC: 26VA DC: 20W	AC: 12VA DC: 10W	AC: 5.5VA DC: 5W

Product			
Name	1681 Explosion-proof Coil	2081 Explosion-proof Coil	Never Heat Energy Saving Module
Aperture of Coil x H	Φ16X43	Φ20X63	
Power	AC: 17VA DC: 20W	AC: 50VA DC: 17.5W	

Product			
Name	0545 (0543)	US Water-proof Coil	BD-A
Aperture of Coil x H	Φ14.5X42	Φ20X55	Φ18.5X41.5
Power	AC: 28VA DC: 20W	AC: 28VA DC: 24W	AC: 16VA DC: 13W
Product			
Name	BD-A-3	CY123	US-HXD US Large Aperture Plastic Capsulation coil
Aperture of Coil x H	Φ14.4x40.5	Φ23X38.5	Φ22x55
Power	AC: 16VA DC: 13W	AC: 25VA DC: 17W	AC: 28VA 24~380V DC: 24W 24~380V
Product			
Name	0200	AB310	AB410
Aperture of Coil x H	Φ13x41	Φ14.5x32	Φ16x38
Power	AC: 15VA 12~380V DC: 12W 6~220V	AC: 10VA 24~380V DC: 9W 12~220V	AC: 18VA 24~380V DC: 16W 12~220V
Product			
Name	VX2120 Lead Wire Laminated Coil	QY23D	2W-15 Water-Proof Coil
Aperture of Coil x H	Φ11x36	Φ15x41.5	It's mainly used in running fountain, jumping fountain etc, it must be underwater in long term (or other liquid working solenoid valve, adopt special water-proof thermosetting plastic-covered, special water-proof design of internal structure, big power, low temperature, outstanding water-proof)
Power	AC: 10VA DC: 9W	AC: 9VA DC: 9W	