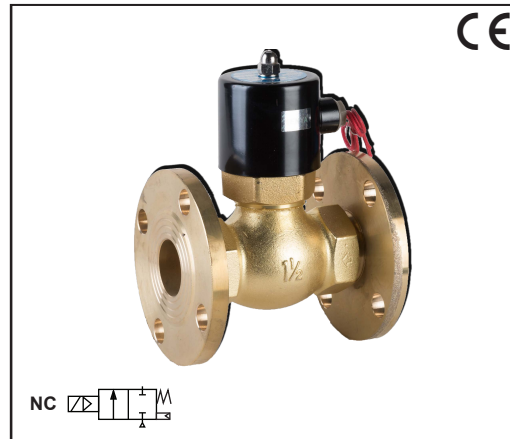


Features

- Adopt steeply-crowned structure; automatically sealed compensation could extend the useful life of This valve
- Solenoid magnetic field design could reach higher voltage.
- The balance design of piston clearance could reinforce the reliable use of this valve in higher temperature.



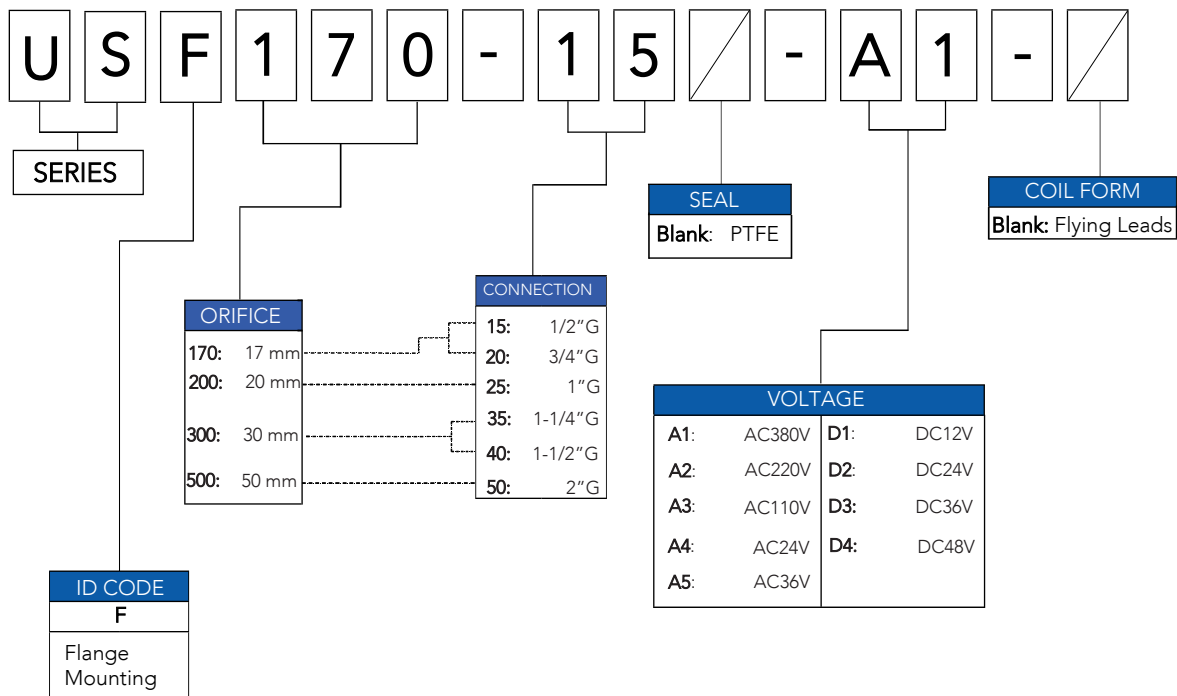
*Note:

US series only has flying leads coil, thermosetting plastic coil is not good for high temperature heat dissipation

Electrical

Standard Coil Class of Insulation	Watt Rating and Power Consumption				Spare Coil Part Number			
	DC Watt	AC			General Purpose		Explosionproof	
		Watt	VA Holdin	VA Inrus	AC	DC	AC	DC
F	24	28	50	78	US-FXD-AC	US-FXD-DC	-	-
F	24	50	75	80	US-HXD-AC	US-HXD-DC	-	-

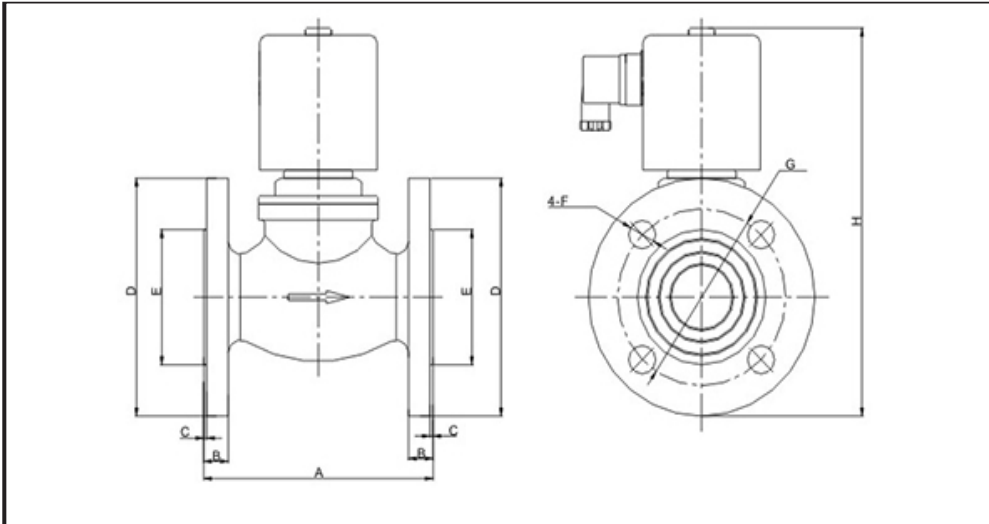
Ordering Code



Order Example:

US series pilot operated steam 2/2 ways solenoid valve, 1/2" port size, PTFE seals, AC220V, Flying leads coil, Flanged
SENYA part# USF170-15-A2

Dimensions Sheet (mm)



Model	A	B	C	D	E	N-F	G	H
USF170-15-D2	81	12	2	102	56	4-14	75	145
USF170-20-D2	81	12	2	102	56	4-14	75	148
USF200-25-D2	91	12	2	115	65	4-18	85	156
USF300-35-D2	113	16	2	140	78	4-18	100	185
USF300-40-D2	113	16	2	148	65	4-18	110	183
USF500-50-D2	168	16	2	165	78	4-18	125	216

IMPORTANT: Valves may be mounted in any position, except as noted in specifications table.

Specifications (Metric units)

Pipe Size (mm)	Orifice Size (mm)	CV Flow Factor	Operating Pressure Differential (Bar)						Max. Fluid Temp. °C		Brass Body Catalog Number	Stainless Steel 304 Catalog Number	Watt Rating/ Class of Coil Insulation	
			Max. AC			Max. DC			AC	DC			AC	DC
			Min.	Air-Inert Gas	Water	Light Oil less 50 CST	Air-Inert Gas	Water						
NORMALLY CLOSED (Closed when de-energized)														
17	4.8	1	15	15	-	15	15	-	180	180	USF170-15-D2	USBF170-15-D2	-	-
17	4.8	1	15	15	-	15	15	-	180	180	USF170-20-D2	USBF170-20-D2	-	-
20	12	1	15	15	-	15	15	-	180	180	USF200-25-D2	USBF200-25-D2	-	-
30	20	1	15	15	-	15	15	-	180	180	USF300-35-D2	USBF300-35-D2	-	-
30	20	1	15	15	-	15	15	-	180	180	USF300-40-D2	USBF300-40-D2	-	-
50	48	1	15	15	-	15	15	-	180	180	USF500-50-D2	USBF500-50-D2	-	-

***Note:**

Standard Voltages must be specified when ordering. Other voltages please consult SENYA staff for more details