

## 5/2 SERIES

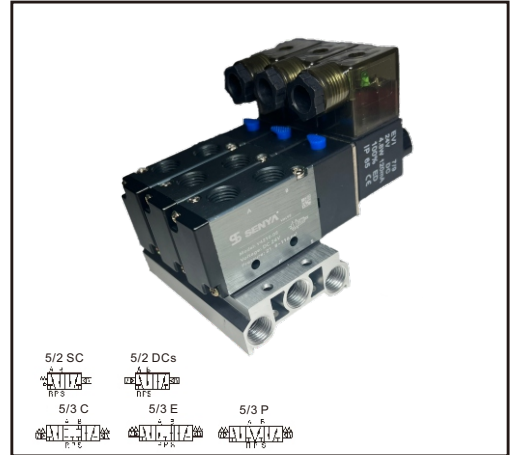
# Directional Valve SU Mixed Manifold

Pilot-oriented  
only in 2 series body size with DC24V



### Features

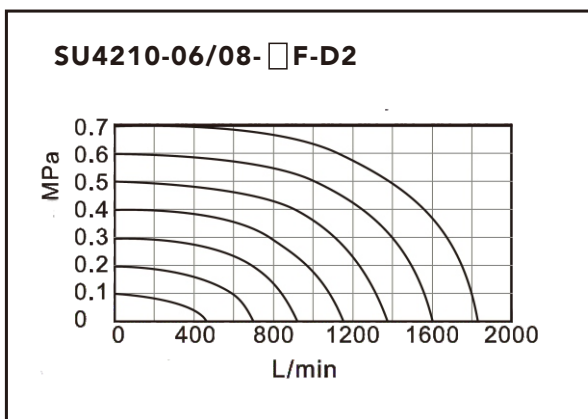
- Standard SU offers option of 3-14 stations, and maximum for 23 stations
- Universal manifold is common used in industries. It is easy to install and maintain
- SU manifold could Mixed combined V4210, V4220, V4230C/E/P. The flexible combination to meet different clients' needs.



### Specifications

Model	SU4210-06/08-□F-D2				
Port size	1/8" or 1/4"				
Working Medium	Air ( to be filtered by 40 μm filter element)				
Acting Type	Internal pilot type / External pilot type				
Reset Type	Air reset / Spring reset				
Lubrication	Not required				
Working Pressure	0.15 - 0.8 Mpa ( 21 - 114 Psi)				
Max. Proof Pressure	1.2 Mpa ( 0 - 174 Psi)				
Working Temperature	-5 - 60 (No Freezing)				
Voltage Range	AC : ±15% & DC: ±10%				
Power Consumption	AC220V: 3.5 VA	AC110V: 3.5 VA	AC24V: 4.0 VA	DC24V: 2.5 W	DC12V: 2.5 W
Insulation & Protection	Class F ; IP65 (DIN40050)				
Connection Form	Line type or Terminal type				
Highest Acting Frequency	5 Cycles / Second				
Shortest Excitation Time	0.05 Second				

### Flow Chart:



**Ordering Code**

**S U 4 2 - 8 S - 0 8 - 8 F - D 2 - N**

4: 5 ports  
 Body Size  
 2: 2 series body size

Series Code  
**SU:** universal manifold

Valve Quantity  
**4 ~ 24**

Note:  
 Max for 24 coils control, 24 units of single control valves or 12 units of double control valves

Port Size  
**06:** 1/8"  
**08:** 1/4"

Valve Type	Valve Function
S	5/2, single control
D	5/2, double control
C	5/3, center closed
P	5/3, center pressed
E	5/3, center exhaust

F: station

Total Valve Qty  
**4 ~ 24**

Note:  
 if valve units over 15 stations, it need to customize.

Voltage  
 D2: DC 24V  
 D1: DC 12V  
 A1: AC 110V  
 A2: AC 220V

Thread option  
 Blank: G  
 N: NPT

**Ordering Example:**

SW mixed manifold with D-sub, 1st-4th in 5/2 single control, 5th in 5/3 center closed, 6-8th in 5/3 center closed, 8 stations, AC220V, G thread  
**SENYA part# SU42-4S1C2E-08-8F-A2**

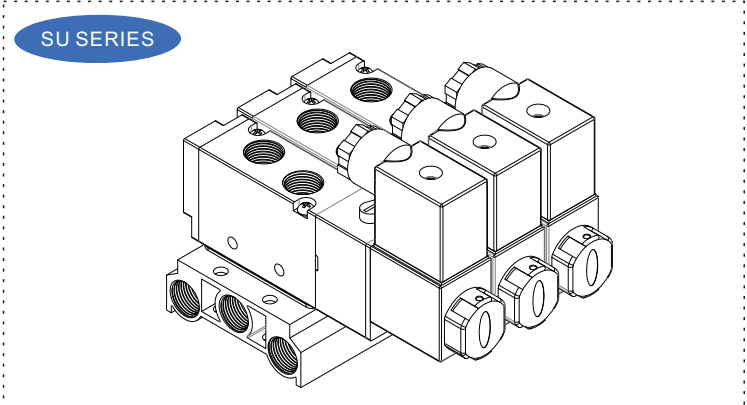
**Bland Plate Ordering Code**

**B P S W 2**

Series Code  
 SW series mixed manifold bland plate

Valve Size  
 2: 2 series body size

**Product Dimensions:**



Note:  
 SW mixed manifold size is variable due to many combinations.

Stations Code	4F	5F	6F	7F	8F	9F	10F	11F	12F	13F	14F
L	117	142	167	192	217	242	267	292	317	342	367
X	97	122	147	172	197	222	247	272	297	322	347